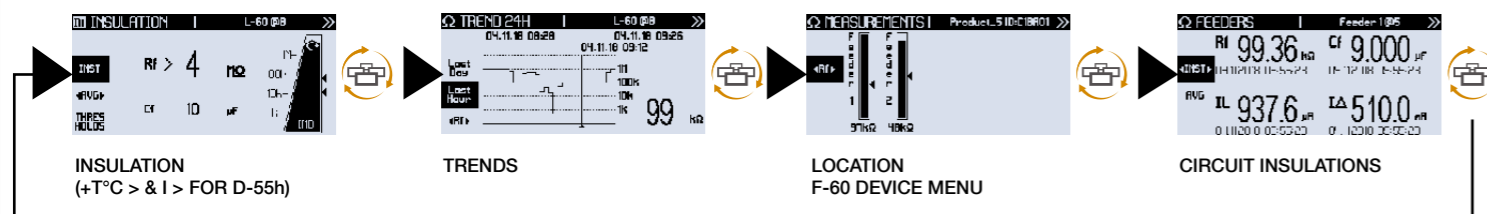


Navigation principle D-55 / D-55h / D-75 / D-75t



7 Menu Structure (HOME)

			D-55h	D-55 / D-75 / D-75t
LOADS	LIST OF DEVICES		X	X
MEASURES	ISOM		X	X
ISOM	INSULATION		X	X
	TREND 24H		X	X
	TREND Rf		X	X
	TREND Cf			X
	INJECTION CONTROL		X	X
	MEASUREMENTS		X	X
INPUTS / OUTPUTS	FEEDERS		X	X
	DIGITAL INPUTS		X	X
	DIGITAL OUTPUTS		X	X
EVENTS	ANALOG INPUTS		X	X
	IN PROGRESS		X	X
PARAMETERS	HISTORY		X	X
	DISPLAY	LANGUAGE	X	X
		DATE FORMAT	X	X
		RS485 COM	X	X
		ETHERNET COM	X	X
		SET REMOTE DEVICE DATE / TIME	X	X
		CHANGE PASSWORD	X	X
		CONFIGURE A DEVICE	X	X
		AUTODETECT SERIAL DEVICES	X	X
		LIST PRODUCTS	X	X
ABOUT	ADD NEW DEVICE		X	X
	REMOVE DEVICE		X	X
	RESTORE A PRODUCT FACTORY SETTINGS		X	X
	PRODUCT SOFT VERSION		X	X
	IP & MAC addresses, SN, Soft version		X	X

ISOM D Display & Remote Alarm



546782B



Single point remote alarm ISOM D-15 h 4729 0200 (*)



Multi point display ISOM Digiware D-55 4729 0203



Multi point display ISOM Digiware D-55h 4729 0204 (*)

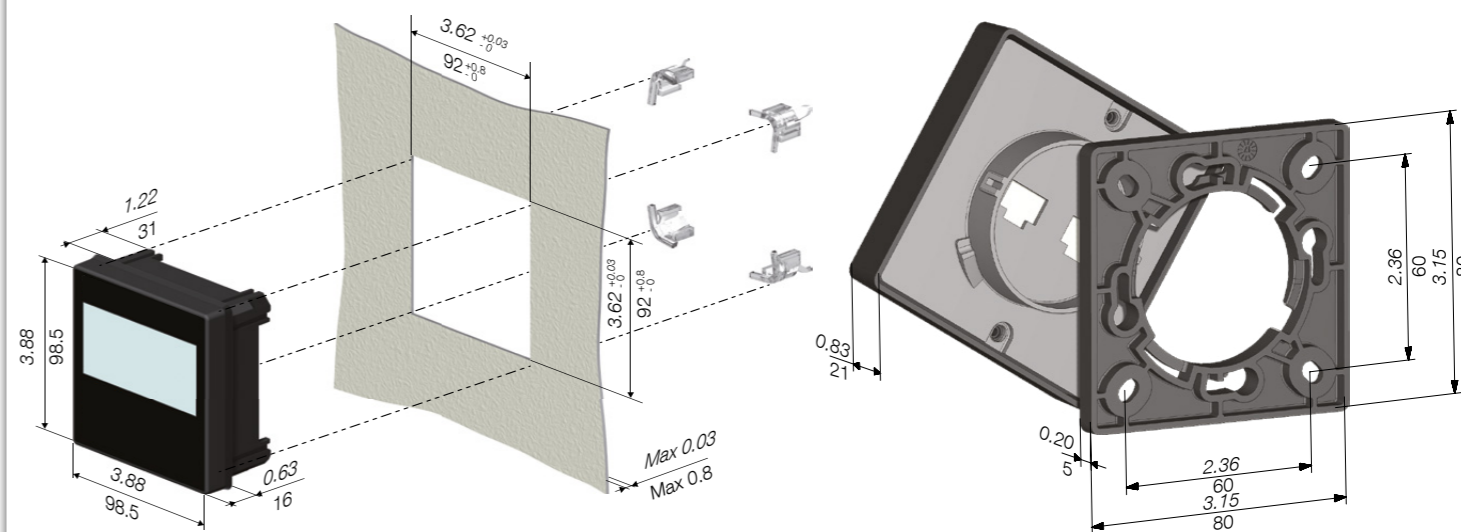


Full user manual: www.socomec.com/operating-instructions

(*) h -> for medical locations
(**) t -> tropicalized & reinforced against vibrations and shocks

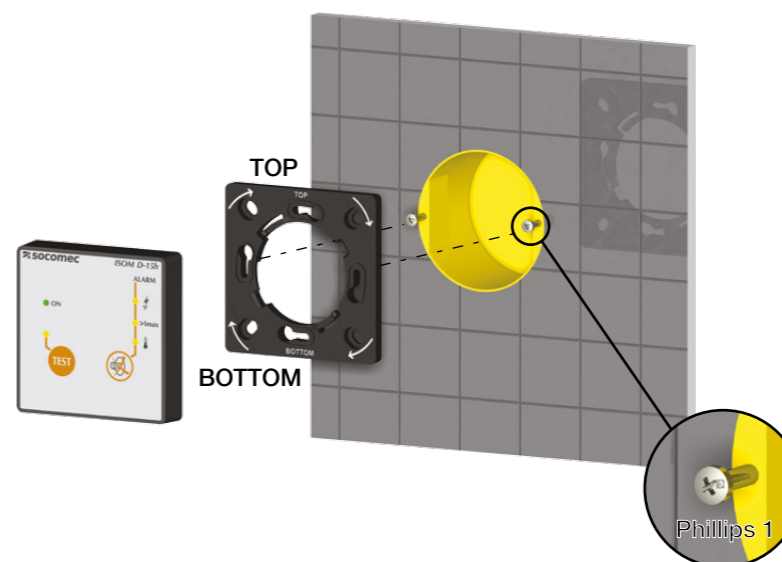
Multi point display & embedded webserver ISOM Digiware D-75 4729 0205
ISOM Digiware D-75t 4729 0206 (**)

1 Dimensions (mm)

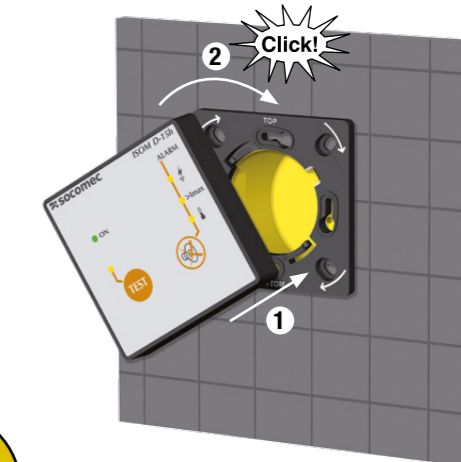


2 Mounting

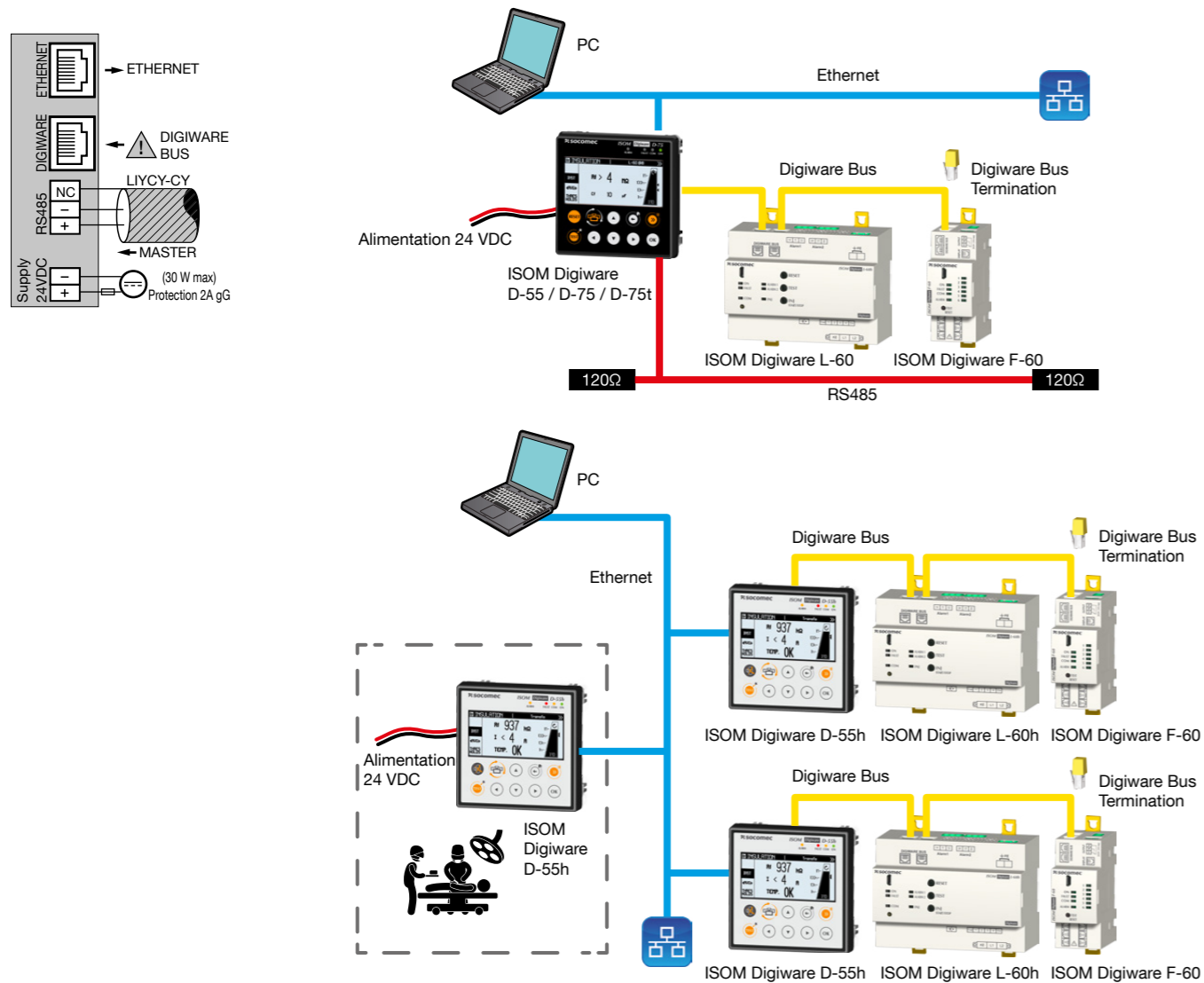
STEP 1



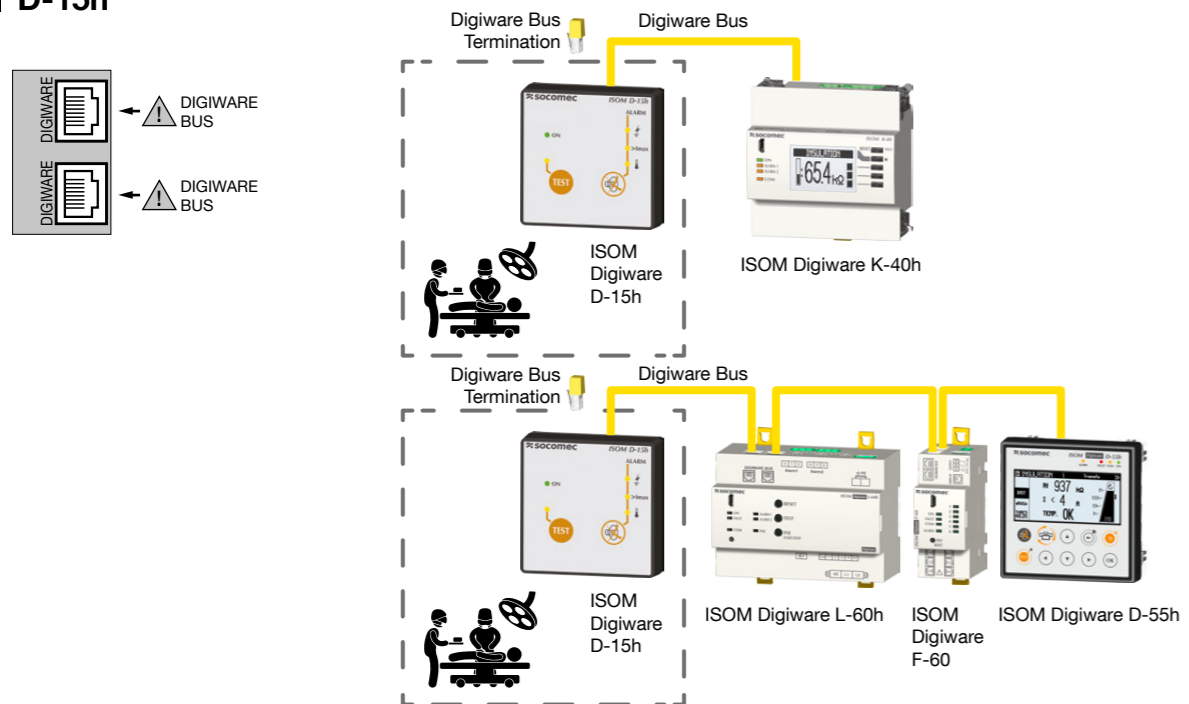
STEP 2



3 D-55 / D-55h / D-75 / D-75t



4 D-15h



5 Technical Characteristics

	ISOM D-15h	ISOM D-55h	ISOM D-55	ISOM D-75 / D-75t
Mechanical characteristics				
Buttons	Capacity touch technology			
Screen resolution	350 x 160 pixels			
Type	Single device connection	Multi device connection		
Ethernet RJ45 10/100 Mbs (use a shielded Ethernet cable)	-	Gateway Modbus TCP Bacnet IP SNMP	Gateway Modbus TCP Bacnet IP SNMP	Gateway Modbus TCP BACnet IP SNMP Embedded Webserver Webview M
Connectable devices number	Max 3	Max 32		
RJ45 Digiware	input (2x)	input (1x)		
RS485 2-3 wires	-	Master		
Speed	115200 bds			
Micro-USB	-	Diagnostic		
Dimensions				
External dimensions	3.15 x 3.15 in 80 x 80 mm	3.88 x 3.88 in 98.5 x 98.5 mm		
Door cut	-	3.62 ^{+0.03} x 3.62 ^{+0.03} in 92 ^{+0.8} x 92 ^{+0.8} mm		
Depth	1.02 in 26 mm	1.85 in 47 mm		
Electronical characteristics				
Supply	Via Digiware	20.4 ... 27.6 VDC, Class 2 - 20 W max		
Supply protection	Via Digiware	integrated into SOCOMEC supply		
Environnemental conditions				
Storage temperature	- 40 ... + 70 °C			
Operating temperature	- 10 ... + 55 °C			
Humidity	90%HR at +55 °C / 97% at +55 °C (D-75t)			
Installation category	Powered by SELV (safety extra low voltage)			
Pollution degree	2			
IP protection	IP54 (front face)	IP65 (front face)		

6 Operating

