

# Enclosed load break switches

COMO from 20 to 125 A

2017



your energy  
our expertise





# Enclosed load break switches

**COMO**

from 20 to 125 A

Integrated products  
& solutions



20 A, 3/4 poles, IEC  
Polycarbonate

como-enc\_001



25, 32, 40 A, 3/4 poles, IEC  
Polycarbonate

como-enc\_005



32, 63, 80, 100 A, 3/4/6/8 poles, IEC  
Polycarbonate

como-enc\_008



63, 125 A, 3/4/6/8 poles, IEC  
Polycarbonate

como-enc\_011

## The solution for

- > OEM
- > Industries
- > Power distribution



## Strong points

- > Compact design
- > IP 65
- > Safety of operations
- > Wide range

## Conformity to standards

- > IEC 60947-3
- > EN 60947-3  
(please consult us)



## Available at your local distributor



## Function

COMO are load break switches that will make and break on load and provide isolation for any low voltage electrical circuit. COMO are now available in **enclosed** version incorporating three, four, six and eight-pole manually operated load break switches.

The **new enclosed COMO** provide protection against contact with live parts as well as environmental factors such as dust, water and other hazards.

## Advantages

### Compact design

- The **enclosed COMO** range offers compact enclosures tailored to your needs. The range starts with the 20 A enclosure with dimensions of only 64x74.5 mm (2.5x2.93 in).

### IP 65

- The IP65 protection degree provides protection against dust and high pressure water jets for any industrial application. Available in IP67 for the enclosed COMO 20 A.

### Safety of operations

- Triple locking of the handle in the OFF position to ensure maximum safety for operators during maintenance operations.

### Wide range

- The range offers a wide variety of variants depending on the number of poles, rating and enclosure type.

## References

Rating (A)	Enclosure size	No. of poles	Reference (with grey/blue handle)	Reference (with yellow/red handle)
20 A	Size 0	3	2115 3301	2115 3401
		4	2115 4301	2115 4401
25 A	Size 1	3	2115 3302	2115 3402
		4	2115 4302	2115 4402
32 A	Size 1	3	2115 3303	2115 3403
		4	2115 4303	2115 4403
	Size 2	6	2115 6303	2115 6403
		8	2115 8303	2115 8403
40 A	Size 1	3	2115 3304	2115 3404
		4	2115 4304	2115 4404
63 A	Size 2	3	2115 3306	2115 3406
		4	2115 4306	2115 4406
	Size 3	6	2115 6306	2115 6406
		8	2115 8306	2115 8406
80 A	Size 2	3	2115 3308	2115 3408
		4	2115 4308	2115 4408
100 A	Size 2	3	2115 3309	2115 3409
		4	2115 4309	2115 4409
125 A	Size 3	3	2115 3312	2115 3412
		4	2115 4312	2115 4412

## Accessories

### Additional pole

#### Use

Installation of this solid pole converts a 3/4/6/8 pole enclosed COMO into a 3/4/6/8 pole+neutral enclosed load break switch.

The 4<sup>th</sup> pole can be added without tools on the right or left side of the device.

Max 1 additional module per device.

#### Solid neutral pole

Rating (A)	No. of poles	Type	Reference
25 ... 32	1	Unswitched	2115 5005
40 ... 63	1	Unswitched	2115 5007
80	1	Unswitched	2115 5009
100 ... 125	1	Unswitched	2115 5011

#### Possible configurations

Additional contact	Product	Additional contact
Aux. contact	3/4/6/8P	Aux. contact
Solid neutral	3/4/6/8P	Aux. contact
Aux. contact	3/4/6/8P	Solid neutral

### Auxiliary contacts

#### Use

Pre-break and signalling of positions 0 and I by NO+NC or 2 NO auxiliary contacts.

They can be mounted on the left or right side of the device.

It is possible to add up to 2 auxiliary contacts on each product.

This is limited to 1 auxiliary contact when a solid neutral pole is used.

Rating (A)	No. of AC	Type of AC	Reference
25 ... 125	1	2 NO	2113 4002
	1	NO + NC	2113 4001



como\_189\_a

# Enclosed load break switches

COMO

from 20 to 125 A

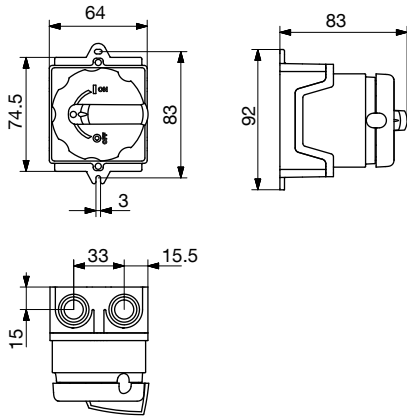
## Characteristics

### Characteristics according to IEC 60947-3

Thermal current at 40°C		20 A	25 A	32 A	40 A	63 A	80 A	100 A	125 A
Rated insulation voltage $U_i$ (V)		690	690	690	690	690	690	690	690
Rated impulse withstand voltage $U_{imp}$ (kV)		4	6	6	6	6	6	6	6
Rated current $I_n$									
Rated voltage	Utilisation category								
400 VAC	AC-21A	20	25	32	40	63	80	100	125
400 VAC	AC-22A	20	25	32	40	63	80	100	125
400 VAC	AC-23A	15	20	22	40	44	53	70	84
400 VAC	AC-3A	11.3	16	20	22	36	43	53	70
690 VAC	AC-21A	20	25	32	40	63	80	100	125
690 VAC	AC-23A	-	12	13	18	22	23,5	34	41
690 VAC	AC-3A	-	9.5	11.5	13	17.5	22	25.5	35
Operational power in AC-23 (kW) <sup>(1)</sup>									
400 VAC		7.5	9.5	11.5	20	22	30	37	45
690 VAC		-	12	13	18	22	25.5	34	41
Operational power in AC-3 (kW) <sup>(1)</sup>									
400 VAC		11.3	16	20	22	36	43	53	70
690 VAC		-	9.5	11.5	13	17.5	22	25.5	35
Fuse protected short-circuit withstand (kA rms prospective) at 400VAC									
Prospective short-circuit current (kA rms)		1	8	8	8	8	10	20	20
Associated fuse rating (A)		20	25	32	40	63	80	100	125
Circuit breaker protected short-circuit withstand with any breaker that ensures tripping in less than 0.3s									
Rated short-time withstand current 0.3s $I_{cw}$ (kA rms)		0.68	0.68	1.28	1.28	2.52	2.52	4	4
Short-circuit capacity (without protection)									
Rated short-time withstand current 1s $I_{cw}$ (kA rms)		0.34	0.34	0.64	0.64	1.26	1.26	2	2
Connection									
Minimum Cu cable cross-section (mm <sup>2</sup> )		1.5	2.5	2.5	2.5	2.5	2.5	4	4
Maximum Cu cable cross-section (mm <sup>2</sup> )		4	10	10	10	16	25	35	50
Tightening torque min/max (Nm)		1/1.2	2.5/3	2.5/3	2.5/3	2.5/3	2.5/3	2.5/3	2.5/3
Mechanical characteristics									
Durability (number of operating cycle)		100 000	100 000	100 000	100 000	100 000	100 000	100 000	100 000
Operating effort - 3 pole device (Nm)		0.25	1	1	1	1	1.5	1.5	1.5
Operating effort - 4 pole device (Nm)		0.25	1	1	1	1	1.5	1.5	1.5
Weight of a 3 P enclosure (kg)		0.152	0.386	0.386	0.386	0.579	0.717	0.766	1.62
Weight of a 4 P enclosure (kg)		0.152	0.42	0.42	0.42	0.619	0.806	0.833	1.709
Weight of a 6 P enclosure (kg)		-	-	0.812	-	1.544	-	-	-
Weight of a 8 P enclosure (kg)		-	-	0.912	-	1.613	-	-	-

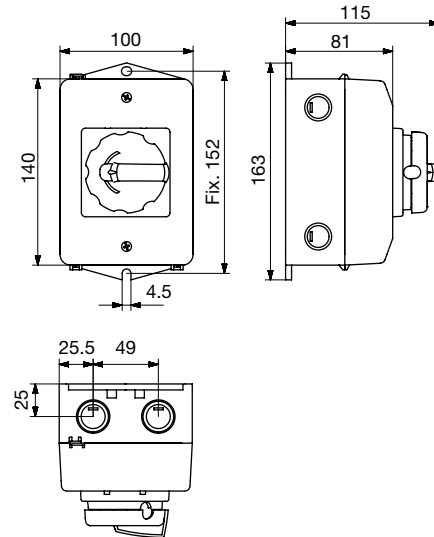
## Dimensions

### Size 0



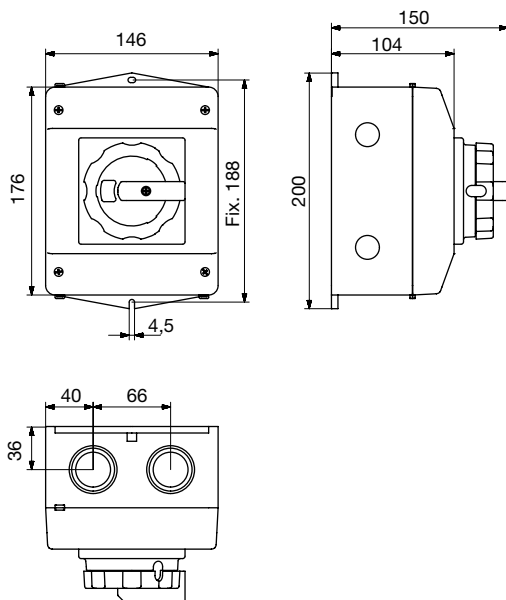
- 4 pre-drilled holes M25 (top and bottom)

### Size 1



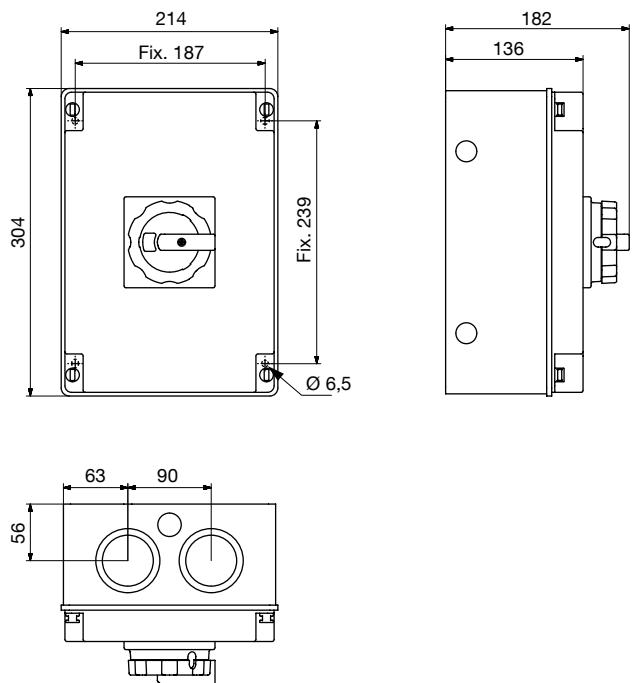
- 4 pre-drilled holes M20 (on the side)
- 4 pre-drilled holes M25 (top and bottom)
- 4 pre-drilled holes for water escape

### Size 2



- 4 pre-drilled holes M20 (on the side)
- 4 pre-drilled holes M32/M40 (top and bottom)
- 2 pre-drilled holes for water escape

### Size 3



- 4 pre-drilled holes M20 (on the side)
- 4 pre-drilled holes M50/M63 and 2 pre-drilled holes M20 (top and bottom)
- 2 pre-drilled holes for water escape





# Socomec worldwide

## IN EUROPE

### BELGIUM

Critical Power / Power Control & Safety / Energy Efficiency

Tel. +32 2 340 02 30  
Fax +32 2 346 28 99  
info.be@socomec.com

### FRANCE

Critical Power / Power Control & Safety / Energy Efficiency

Tel. +33 1 45 14 63 00  
Fax +33 1 48 67 31 12  
dcm.ups.fr@socomec.com

### GERMANY

Critical Power

Tel. +49 621 71 68 40  
Fax +49 621 71 68 444  
info.ups.de@socomec.com

Power Control & Safety / Energy Efficiency

Tel. +49 7243 65292 0  
Fax +49 7243 65292 13  
info.scp.de@socomec.com

### ITALY

Critical Power

Tel. +39 02 98 242 942  
Fax +39 02 98 240 723  
info.ups.it@socomec.com

Power Control & Safety / Energy Efficiency

Tel. +39 02 98 49 821  
Fax +39 02 98 24 33 10  
info.scp.it@socomec.com

### NETHERLANDS

Critical Power / Power Control & Safety / Energy Efficiency

Tel. +31 30 760 0900  
Fax +31 30 637 2166  
info.nl@socomec.com

### POLAND

Critical Power

Tel. +48 22 825 73 60  
Fax. +48 22 825 73 70  
info.ups.pl@socomec.com

Power Control & Safety / Energy Efficiency

Tel. +48 91 442 64 11  
Fax +48 91 442 64 19  
info.scp.pl@socomec.com

### PORTUGAL

Critical Power / Power Control & Safety / Energy Efficiency

Tel. +351 261 812 599  
Fax +351 261 812 570  
info.ups.pt@socomec.com

### ROMANIA

Critical Power / Power Control & Safety / Energy Efficiency

Tel. +40 21 319 36 88  
Fax +40 21 319 36 89  
info.ro@socomec.com

### SERBIA

Critical Power / Power Control & Safety / Energy Efficiency

Tel. +381 11 40 43 246  
Fax +381 11 40 43 245  
info.rs@socomec.com

### SLOVENIA

Critical Power / Power Control & Safety / Energy Efficiency

Tel. +386 1 5807 860  
Fax +386 1 561 11 73  
info.si@socomec.com

### SPAIN

Critical Power / Power Control & Safety / Energy Efficiency

Tel. +34 93 540 75 75  
Fax +34 93 540 75 76  
info.es@socomec.com

### SWITZERLAND

Critical Power

Tel. +41 44 745 40 80  
Fax +41 44 745 40 85  
info@socomec.ch

### TURKEY

Critical Power / Power Control & Safety / Energy Efficiency

Tel. +90 216 540 71 20-21-22  
Fax +90 216 540 71 27  
info.tr@socomec.com

### UNITED KINGDOM

Critical Power

Tel. +44 1285 863 300  
Fax +44 1285 862 304  
info.uk@socomec.com

Power Control & Safety / Energy Efficiency

Tel. +44 1462 440 033  
Fax +44 1462 431 143  
info.uk@socomec.com

## IN ASIA PACIFIC

### AUSTRALIA

Critical Power / Power Control & Safety

Tel. +61 2 9325 3900  
Fax +61 2 9888 9544  
info.ups.au@socomec.com

### CHINA

Critical Power / Power Control & Safety / Energy Efficiency

Tel. +86 21 52 98 95 55  
Fax +86 21 62 28 34 68  
info.cn@socomec.com

### INDIA

Critical Power / Power Control & Safety / Energy Efficiency

Tel. +91 44 39215400  
Fax +91 44 39215450 & 51  
info.in@socomec.com

### SINGAPORE

Critical Power / Power Control & Safety / Energy Efficiency

Tel. +65 6506 7600  
Fax +65 64 58 7377  
info.sg@socomec.com

### THAILAND

Critical Power

Tel. +66 2 941 1644 7  
Fax +66 2 941 1650  
info.ups.th@socomec.com

## IN MIDDLE EAST

### UNITED ARAB EMIRATES

Critical Power / Power Control & Safety / Energy Efficiency

Tel. +971 4 29 98 441  
Fax +971 4 29 98 449  
info.ae@socomec.com

## IN AMERICA

### USA, CANADA & MEXICO

Power Control & Safety / Energy Efficiency

Tel. +1 617 245 0447  
Fax +1 617 245 0437  
info.us@socomec.com

## OTHER COUNTRIES

### NORTH AFRICA

Algeria / Morocco / Tunisia  
info.naf@socomec.com

### AFRICA

Other countries  
info.africa@socomec.com

### SOUTH EUROPE

Cyprus / Greece / Israel / Malta  
info.se@socomec.com

### SOUTH AMERICA

Tel. +34 93 540 75 75  
info.es@socomec.com

### MORE DETAILS

[www.socomec.com/worldwide](http://www.socomec.com/worldwide)

## HEAD OFFICE

### SOCOMECS GROUP

SAS SOCOMECS capital 10 686 000 €  
R.C.S. Strasbourg B 548 500 149  
B.P. 60010 - 1, rue de Westhouse  
F-67235 Benfeld Cedex - FRANCE  
Tel. +33 3 88 57 41 41  
Fax +33 3 88 74 08 00  
info.scp.isd@socomec.com

[www.socomec.com](http://www.socomec.com)

## YOUR DISTRIBUTOR / PARTNER

your energy  
our expertise

