

MARINE APPLICATIONS

Energy performance solutions

2017
2018



your energy
our expertise



Marine Certifications

As an independent manufacturer, we, at Socomec are committed to adapting the range and certifications of our products according to our customer's needs. Thanks to our innovative technology, reliability and high performance levels, we are able to meet our customer's expectations and comply with the strict standards set by the world's top marine application certification bodies such as:



Expert certification bodies such as **Bureau Veritas**, with international outreach regarding ship classifications, help us achieve the maritime safety levels you require, thus providing benefits to ship-owners, shipbuilders, shipyards, equipment manufacturers, insurers, brokers, bankers and Flag States.



Lloyd's Register is a leading international provider of consultancy services regarding classification and compliance with standards in the marine industry. Its goal is to assist in the design, construction and operation of products at the highest levels of safety and performance.



Rina Services S.p.A is the operational branch of RINA, providing services in ship classification, certification, verification of conformity, inspection and testing. Rina can offer its experience and commitment to companies operating in various markets, and seeking to reach the highest levels of quality, efficiency, safety and sustainability.



DNV GL is the world's largest classification body with 13,175 vessels and mobile offshore units (MOUs) amounting to 265.4 million gt in its portfolio. DNV GL is also a reference in the renewable, alternative and conventional energy sectors. It is the world's largest technical consultancy for the onshore and offshore wind, wave, tidal and solar industries.

Our certified products

Certified by Bureau Veritas



SIRCO
Load break switches
from 125 to 5000 A
p. 10



SIRCOVER
Manually operated TSE
from 125 to 3000 A
p. 66



ATyS
Automatic TSE
from 125 to 3200 A
p. 82

Certified by Lloyd's



FUSERBLOC
Fusible disconnect
switches
from 32 to 400 A
p. 32



Certified by Rina



FUSERBLOC
Fusible disconnect
switches
from 32 to 400 A
p. 32



RM and RMS
Fuse holder
from 32 to 100 A
p. 62

Certified by DNV GL



NETYS RT-M
UPS solution
for marine application
p. 128



The complete list of certified references

Find the complete list of certified references page 130.



Contents

An independent manufacturer	<i>p. 6</i>
Four key applications: know-how of a specialist	<i>p. 7</i>
Expert Services your partner	<i>p. 8</i>
A cutting-edge laboratory	<i>p. 9</i>
Certified references	<i>p. 130</i>

Load break switches



SIRCO
125 to 3200 A
p. 10

Fuse protection

Fuse disconnect switches



FUSERBLOC
25 to 1250 A
p. 32

Fuse holder



RM - RMS
32 to 125 A
p. 62

Transfer switches

Manual transfer switches



SIRCOVER
125 to 3200 A
p. 66

Motorised transfer switches



ATyS
125 to 3200 A
p. 82

Enclosure & accessories



Busbar supports
p. 106

Single-phase UPS



NETYS RT-M
1100 and 3300 VA
p. 128

Our certified products



Lloyd's Register



Find the complete list of certified references

p. 130



Your requirements

The International Maritime Organisation has put a strong emphasis on the following three major challenges: **security**, **safety** and **efficiency**. This is reflected in their official slogan: "Safe, secure and efficient shipping on clean oceans." To meet these challenges, the marine industry requires reliable equipment, able to supply power to applications operating in harsh environments.

Socomec's marine product range has taken this into consideration by offering products tested and certified to meet these requirements. Whether you are seeking to secure the safety of your offshore building, cargo or private vessels, we have created certified products to meet your requirements.





Our commitment

Quality

Ensure operations of the equipment in conditions specific to marine environments

- Offer products capable of withstanding high levels of vibration and harsh environments.
- Offer products which exceed requirements for marine norms and certification.

Security

Assure the safety of people and infrastructure

- Protect the passengers and personnel on board of cargo, passenger ships and private vessels.
- Protect permanent and temporary offshore installations.
- Protect critical equipment for the navigation system, communication and engine controls against power outages.

Reliability

Assure the maximum availability of the installation

- Offer reliable products specially designed with the least amount of separate parts and breaking points in order to maximize service lifetime (MTBF).
- Offer high performance products which also require the least amount of down time.(MTTR).

Service

Facilitate the use of our products

- Assist the design and application of solutions.
- Offer support wherever you are, thanks to our worldwide network of service professionals.
- Answer all your questions, with our highly trained and qualified technical.



An independent manufacturer

The benefit of a specialist

3,500 m²
of test platforms

One of the leading independent power testing labs in Europe

65,000
on-site interventions per year

Nearly 400 experts in commissioning, technical audit, consultancy and maintenance

10%
of turnover invested in R&D

Always at the cutting-edge of technology for innovative, high-quality products



SO innovative!

Since its foundation more than 90 years ago, SOCOMEC continues to design and manufacture its core products in Europe. Notably solutions for its primary mission: the availability, control and safety of low voltage electrical networks.

As an independent manufacturer, the Group is committed to constant innovation to improve the energy performance of electrical installations in infrastructures as well as industrial and commercial sites.

Throughout its history, SOCOMEC has constantly anticipated market changes by developing cutting-edge technologies, providing solutions that are adapted to customer requirements and fully in keeping with international standards.

"Optimising the performance of your system throughout its life cycle" - this is the commitment carried out every day by the SOCOMEC teams around the world, wherever your business is located.

SYDV 161 B



Your energy, our expertise



Critical Power

Ensuring the availability and storage of high quality power

With its wide range of continuously evolving products, solutions and services, Socomec are recognised experts in the cutting-edge technologies used for ensuring the highest availability of the electrical power supply to critical facilities and buildings, including:

- static uninterruptible power supplies (UPS) for high-quality power free of distortions

and interruptions occurring on the primary power supply,

- changeover of static, high availability sources for transferring the supply to an operational back-up source,
- permanent monitoring of the electrical facilities to prevent failures and reduce operating losses,
- energy storage for ensuring the proper energy mix of buildings and for stabilisation of the power grid.



© Datarock



Power Control & Safety

Managing power and protecting persons and facilities

Active in the industrial switching market since its foundation in 1922, Socomec is today an undisputed leader in the field of low voltage switchgear, providing expert solutions that ensure:

- isolation and on load breaking for the most demanding switching applications,
- continuity of the power supply to electrical facilities via manual remotely operated or automatic transfer switching equipment.
- protection of persons and assets via fuse-based and other specialist solutions.



APPLI 575A



Energy Efficiency

Managing the energy performance of buildings

Socomec solutions, from current sensors through to a wide choice of innovative scalable software packages are driven by experts in energy performance. They meet the critical requirements of facility managers and operators of commercial, industrial and local authority buildings for:

- measuring energy consumption, identifying sources of excess consumption and raising the awareness of occupants about their impact,
- limiting reactive energy and avoiding the associated tariff penalties,
- using the best available tariffs, checking utility bills and accurately distributing energy billing among consumer entities,
- monitoring and detecting insulation faults.



APPLI 571A



Expert Services

Enabling available, safe and efficient energy

Socomec is committed to delivering a wide range of value-added services to ensure the reliability and optimisation of end-users' equipment:

- prevention and service operations to lower the risks and enhance the efficiency of operations,

- measurement and analysis of a wide range of electrical parameters leading to recommendations for improving the site's power quality,
- optimisation of the total cost of ownership and support for a safe transition when migrating from an old to a new generation of equipment.
- consultancy, deployment and training from the project engineering stage through to final procurement.



APPLI 760A

Expert Services your partner

enabling available, safe and efficient energy

SOCOMEK is committed to deliver a wide range of value-added services to ensure the availability of your critical installation, the safety of your site operations and the performance optimisation of your low voltage equipment during its life cycle. The expertise and proximity of our specialists are there to ensure the reliability and durability of your equipment.



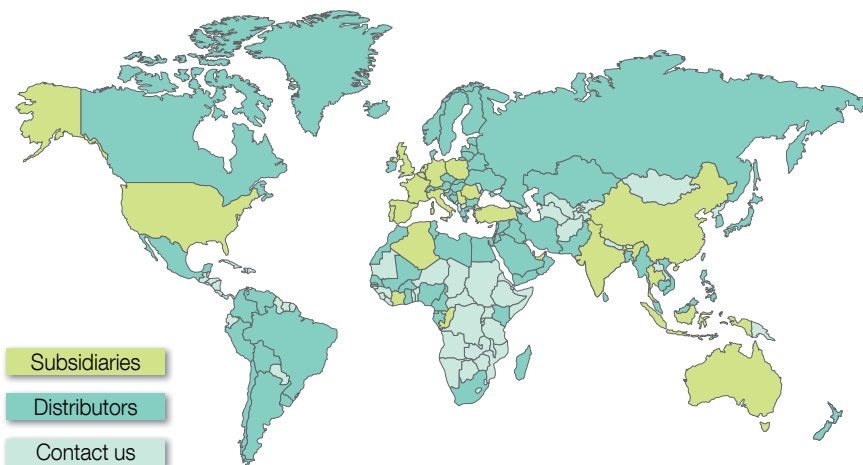
APPLI 724-A

Key figures

Nearly 400 Socomec experts supported by 200 engineers and technicians from our distributors, drive the solutions to your specific needs.

Our global presence includes:

- 10 branches in France,
- 12 European subsidiaries,
- 8 Asian subsidiaries,
- representatives in 70+ countries.



CARTE 068 H

On-site service management

- 65,000 service operations per year (mainly preventive visits).
- 98% Service Level Agreement compliance rate.



APPLI 571 A

Technical hotline network

- 20+ languages spoken.
- 3 advanced technical support centres.
- 100,000+ incoming calls handled per year.



SITE 598 A

Certified expertise

- 5,000 hours of technical training deployed per year (product, methodology and safety).



CCPRO 269 A

A cutting-edge laboratory

the backing of an expert

Created in 1965, SOCOMEC's laboratory brings its expertise to guarantee the reliability and the conformity of our products and solutions.

Since 2015, the laboratory renamed Tesla Lab – Power Testing and Certification in 2015, offers its testing and certification services to all its customers.



CORPC 441 A

Proven expertise

Tesla Lab is an independent laboratory specialised in testing of LV switchgears, components and switchgear assemblies.

4 M€ has been invested since 2011 in this 2000 m² laboratory, where 30 experts guarantee the quality of the performed tests, making the Tesla Lab one of the most modern laboratories in Europe.

Vast range of tests

The laboratory has 100 MVA (I_{cc} 100 kA rms 1 s) short-circuit platform, three 10 kA overload platforms and many other test facilities covering 2000 m² for:

- functional tests,
- mechanical tests: endurance,
- dielectric tests,
- environmental tests: vibrations,
- Ingress Protection (IP),
- temperature rise tests up to 60 °C ambient.

International partnership

The laboratory is recognised by the major certification bodies worldwide: member of ASEFA and LOVAG, it is accredited by COFRAC, UL (CTDP), CSA (shared certification) and DEKRA (WMT).

The partnership with many international certification bodies guarantees the quality and safety requirements in each country.

Implementation of standard IEC/EN 61439

Electrical switchgear manufacturers

IEC/EN 61439 standards define the requirements of "Low voltage switchgear assemblies" as well as the tests necessary to ensure the achievement of the specified levels of performance. The compliance with these standards gives a guarantee of safety and performance to the user of the equipment



An original manufacturer according to IEC/EN 61439 standards

Socomec offers a wide range of original manufacturer solutions complying with IEC 61439 standards.

- FLEXYS and CADRYS cabinet systems designed for distribution panel applications.
- Local switching and equipment cabinets covering requirements in power availability and safety.
- Components for integration.

Tesla Lab accredited by COFRAC

With its world-class testing facilities, the Tesla Lab can perform all of the tests required by IEC/EN 61439 standards for switchgear assemblies

We can therefore help you to:

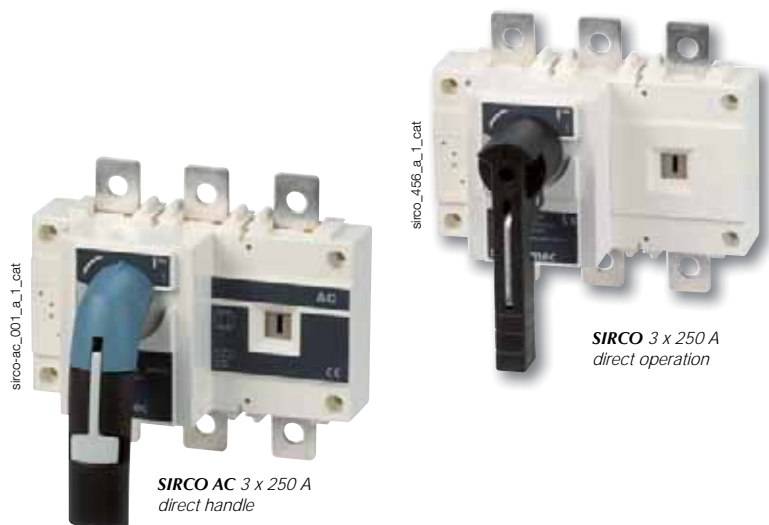
- define a verification program,
- perform conformity tests,
- issue test reports in order to get certification from third party certification bodies (ASEFA, LOVAG, DEKRA, UL, CSA, COFRAC, ASTA...).



SIRCO

Load break switches for power distribution
from 125 to 5000 A

Load break
switches



sirco-ac_001_a_1_cat

SIRCO AC 3 x 250 A
direct handle

sirco_456_a_1_cat

SIRCO 3 x 250 A
direct operation

Function

SIRCO and **SIRCO AC** are manually or remotely operated multipolar load break switches. They make and break under load conditions and provide safe isolation. SIRCO are designed for 415 VAC and DC low voltage electrical circuits. SIRCO AC are designed for heavy duty applications up to 690 VAC - AC 23.

General characteristics

- Double positive break indication given through a position indication window, located directly on the product, and by the operating handle.
- Severe load duty categories (AC-22 and AC-23).
- High resistance to damp heat (supplied "tropicalised").

Advantages

Reliability and performance

The double breaking per pole, achieved through its sliding bar contact system, is a proven design that offers very high durability and short-circuit withstand. Improved breaking performance with quick opening and rapid closure.

Safety of property and personnel

The position indicator is located directly on the sliding bar contact mechanism, ensuring it can be seen in all circumstances.

The use of glass fibre reinforced polyester gives the SIRCO and SIRCO AC both high mechanical and thermal resistance.

Simplicity

The standardisation of the SIRCO and SIRCO AC range and its wide choice of common accessories enable:

- Simple mounting.
- Reduced stock management and storage costs.

Easy to install

The outdoors ranges are easy to install thanks to:

- A good centre-to-centre distance (up to 120 mm).
- Connection up to 6 x 185 mm².
- Connection accessories which facilitate both flat and edgewise connections.

The solution for

- > Main switchboard
- > Distribution panel
- > Emergency breaking
- > Network coupling
- > Local safety breaking



Strong points

- > Reliability and performance
- > Safety of property and personnel
- > Simplicity
- > Easy to install

Compliance with standards

- > IEC 60947-3



Approvals and certifications⁽¹⁾



BUREAU
VERITAS

⁽¹⁾ Product reference on request.

Enclosures

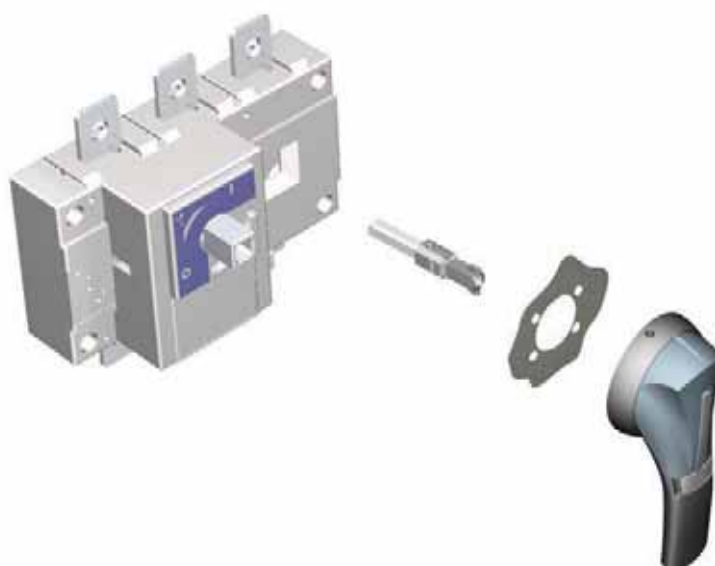
- > The SIRCO and SIRCO AC range can be easily fitted in our enclosures and cabinets designed for electrical distribution.



Verify the certification of your product: page 130.

What you need to know

- In front **direct** or **external** operation, SIRCO is available in 3 and 4-pole versions from 125 to 5000 A.
- It can be ordered in 6 or 8-pole versions from 125 to 1600 A.
- SIRCO is available in a polyester or sheet metal enclosure from 125 to 1250 A.



sirco_372_b_1_cat

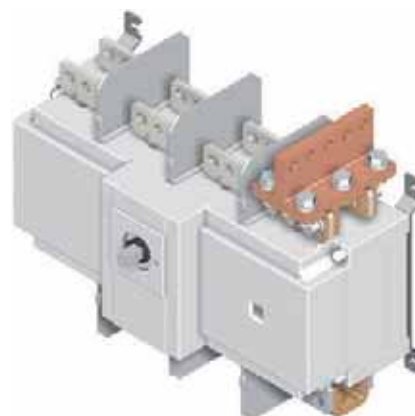
For ratings 2000, 2500 and 3200A, a copper **bar connection kit** enables the connection between the two power terminals of one pole.

Flat connection
top or bottom



access_220_c_2_cat

Edgewise connection
top or bottom



access_223_b_2_cat

Verify the certification of your product: page 130.

SIRCO - References

Standard applications - Front operation - 3 & 4-pole

Rating (A) / Frame size	No. of poles	Switch body ⁽¹⁾	Direct handle	External handle	Shaft for external handle	Auxiliary contact	Terminal shrouds	Terminal screens
125 A / B3	3 P	2600 3014	B1 type Black 2699 5042 ⁽²⁾ Red 2699 5043				3 P 2694 3014 ⁽³⁾ 4 P 2694 4014 ⁽³⁾	3 P 2698 3012 ⁽³⁾ 4 P 2698 4012 ⁽³⁾
	4 P	2600 4014						
160 A / B3	3 P	2600 3017					3 P 2694 3021 ⁽³⁾ 4 P 2694 4021 ⁽³⁾	3 P 2698 3020 ⁽³⁾ 4 P 2698 4020 ⁽³⁾
	4 P	2600 4017						
200 A / B4	3 P	2600 3021					3 P 2694 3051 ⁽³⁾ 4 P 2694 4051 ⁽³⁾	3 P 2698 3050 ⁽³⁾ 4 P 2698 4050 ⁽³⁾
	4 P	2600 4021						
250 A / B4	3 P	2600 3026		S2 type Black IP55 1421 2111 ⁽²⁾ Black IP65 1423 2111 Red IP65 1424 2111	200 mm 1400 1020 320 mm 1400 1032 ⁽²⁾ 500 mm 1400 1050		3 P 2694 3051 ⁽³⁾ 4 P 2694 4051 ⁽³⁾	3 P 2698 3050 ⁽³⁾ 4 P 2698 4050 ⁽³⁾
	4 P	2600 4026						
315 A / B5	3 P	2600 3032	B2 type Black 2699 5052 ⁽²⁾ Red 2699 5053				3 P 2694 3051 ⁽³⁾ 4 P 2694 4051 ⁽³⁾	3 P 2698 3050 ⁽³⁾ 4 P 2698 4050 ⁽³⁾
	4 P	2600 4032						
400 A / B5	3 P	2600 3041					3 P 2694 3051 ⁽³⁾ 4 P 2694 4051 ⁽³⁾	3 P 2698 3050 ⁽³⁾ 4 P 2698 4050 ⁽³⁾
	4 P	2600 4041						
500 A / B5	3 P	2600 3051					3 P 2694 3051 ⁽³⁾ 4 P 2694 4051 ⁽³⁾	3 P 2698 3050 ⁽³⁾ 4 P 2698 4050 ⁽³⁾
	4 P	2600 4051						
630 A / B5	3 P	2600 3064					3 P 2694 3051 ⁽³⁾ 4 P 2694 4051 ⁽³⁾	3 P 2698 3050 ⁽³⁾ 4 P 2698 4050 ⁽³⁾
	4 P	2600 4064						
800 A / B6	3 P	2600 3081				1 st NO/NC contact 2699 0031 2 nd NO/NC contact 2699 0032	3 P 2698 3080 ⁽³⁾ 4 P 2698 4080 ⁽³⁾	3 P 2698 3080 ⁽³⁾ 4 P 2698 4080 ⁽³⁾
	4 P	2600 4081						
1000 A / B6	3 P	2600 3099					3 P 2698 3080 ⁽³⁾ 4 P 2698 4080 ⁽³⁾	3 P 2698 3080 ⁽³⁾ 4 P 2698 4080 ⁽³⁾
	4 P	2600 4099						
CD 1250 A / B6	3 P	2600 3119		Type S4 Black IP65 1443 3111 ⁽²⁾ Red IP65 1444 3111	200 mm 1401 1520 320 mm 1401 1532 ⁽²⁾ 400 mm 1401 1540		3 P 2698 3120 ⁽³⁾ 4 P 2698 4120 ⁽³⁾	3 P 2698 3120 ⁽³⁾ 4 P 2698 4120 ⁽³⁾
	4 P	2600 4119						
1250 A / B7	3 P	2600 3121	C2 type Black 2799 7012 ⁽²⁾ Red 2799 7013				3 P 2698 3120 ⁽³⁾ 4 P 2698 4120 ⁽³⁾	3 P 2698 3120 ⁽³⁾ 4 P 2698 4120 ⁽³⁾
	4 P	2600 4121						
1600 A / B7	3 P	2600 3161					3 P 2698 3120 ⁽³⁾ 4 P 2698 4120 ⁽³⁾	3 P 2698 3120 ⁽³⁾ 4 P 2698 4120 ⁽³⁾
	4 P	2600 4161						
1800 A / B7	3 P	2600 3181					3 P 2698 3120 ⁽³⁾ 4 P 2698 4120 ⁽³⁾	3 P 2698 3120 ⁽³⁾ 4 P 2698 4120 ⁽³⁾
	4 P	2600 4181						
2000 A / B8	3 P	2600 3200		V2 type Black IP65 2799 7136 ⁽²⁾ Red IP65 2799 7134	200 mm 2799 3015 320 mm 2799 3018 ⁽²⁾ 450 mm 2799 3019		3 P 2698 3200 ⁽³⁾ 4 P 2698 4200 ⁽³⁾	3 P 2698 3200 ⁽³⁾ 4 P 2698 4200 ⁽³⁾
	4 P	2600 4200						
2500 A / B8	3 P	2600 3250					3 P 2698 3200 ⁽³⁾ 4 P 2698 4200 ⁽³⁾	3 P 2698 3200 ⁽³⁾ 4 P 2698 4200 ⁽³⁾
	4 P	2600 4250						
3200 A / B8	3 P	2600 3320					3 P 2698 3200 ⁽³⁾ 4 P 2698 4200 ⁽³⁾	3 P 2698 3200 ⁽³⁾ 4 P 2698 4200 ⁽³⁾
	4 P	2600 4320						
4000 A / B9	3 P	2600 3401	V0 type Black 2799 7072 ⁽²⁾	V0 type Black IP65 2799 7155 ⁽²⁾		1 st /2 nd NO/NC contact included	-	-
	4 P	2600 4401						
5000 A / B9	3 P	2600 3500					-	-
	4 P	2600 4500						

(1) Device available enclosed.

(2) Standard.

(3) Top or bottom.

SIRCO AC - References

Heavy duty applications - Front operation 3 & 4 pole

Rating (A) / Frame size	No. of poles	Switch body	Direct handle	External handle	Shaft for external handle	Auxiliary contact	Terminal shrouds	Terminal screens																				
200 A / B4	3 P	26AC 3020	J1 type Black 1112 1111 ⁽¹⁾ J1 type Red 1113 1111	S2 type Black IP65 1421 2111 ⁽¹⁾ Black IP65 1423 2111 Red IP65 1424 2111	200 mm 1400 1020 320 mm 1400 1032 ⁽¹⁾ 500 mm 1400 1050		3P 2694 3021 ⁽²⁾⁽³⁾ 4 P 2694 4021 ⁽²⁾⁽³⁾	3P 2698 3020 ⁽³⁾ 4 P 2698 4020 ⁽³⁾																				
	4 P	26AC 4020																										
250 A / B4	3 P	26AC 3025					J1 type Black 1112 1111 ⁽¹⁾ J1 type Red 1113 1111	S2 type Black IP65 1421 2111 ⁽¹⁾ Black IP65 1423 2111 Red IP65 1424 2111	200 mm 1400 1020 320 mm 1400 1032 ⁽¹⁾ 500 mm 1400 1050		3P 2694 3021 ⁽²⁾⁽³⁾ 4 P 2694 4021 ⁽²⁾⁽³⁾	3P 2698 3020 ⁽³⁾ 4 P 2698 4020 ⁽³⁾																
	4 P	26AC 4025																										
315 A / B4	3 P	26AC 3031									J1 type Black 1112 1111 ⁽¹⁾ J1 type Red 1113 1111	S2 type Black IP65 1421 2111 ⁽¹⁾ Black IP65 1423 2111 Red IP65 1424 2111	200 mm 1400 1020 320 mm 1400 1032 ⁽¹⁾ 500 mm 1400 1050		3P 2694 3021 ⁽²⁾⁽³⁾ 4 P 2694 4021 ⁽²⁾⁽³⁾	3P 2698 3020 ⁽³⁾ 4 P 2698 4020 ⁽³⁾												
	4 P	26AC 4031																										
400 A / B5	3 P	26AC 3040													J1 type Black 1112 1111 ⁽¹⁾ J1 type Red 1113 1111	S2 type Black IP65 1421 2111 ⁽¹⁾ Black IP65 1423 2111 Red IP65 1424 2111	200 mm 1400 1020 320 mm 1400 1032 ⁽¹⁾ 500 mm 1400 1050		3P 2694 3021 ⁽²⁾⁽³⁾ 4 P 2694 4021 ⁽²⁾⁽³⁾	3P 2698 3020 ⁽³⁾ 4 P 2698 4020 ⁽³⁾								
	4 P	26AC 4040																										
500 A / B5	3 P	26AC 3050																	J1 type Black 1112 1111 ⁽¹⁾ J1 type Red 1113 1111	S2 type Black IP65 1421 2111 ⁽¹⁾ Black IP65 1423 2111 Red IP65 1424 2111	200 mm 1400 1020 320 mm 1400 1032 ⁽¹⁾ 500 mm 1400 1050		3P 2694 3021 ⁽²⁾⁽³⁾ 4 P 2694 4021 ⁽²⁾⁽³⁾	3P 2698 3020 ⁽³⁾ 4 P 2698 4020 ⁽³⁾				
	4 P	26AC 4050																										
CD 630 A / B5	3 P	26AC 3063																					J1 type Black 1112 1111 ⁽¹⁾ J1 type Red 1113 1111	S2 type Black IP65 1421 2111 ⁽¹⁾ Black IP65 1423 2111 Red IP65 1424 2111	200 mm 1400 1020 320 mm 1400 1032 ⁽¹⁾ 500 mm 1400 1050		3P 2694 3021 ⁽²⁾⁽³⁾ 4 P 2694 4021 ⁽²⁾⁽³⁾	3P 2698 3020 ⁽³⁾ 4 P 2698 4020 ⁽³⁾
	4 P	26AC 4063																										
630 A / B6	3 P	26AC 3064	J4 type Black 1142 1111 ⁽¹⁾ Red 1143 1111	S4 type Black IP65 1443 3111 ⁽¹⁾ Red IP65 1444 3111	200 mm 1401 1520 320 mm 1401 1532 ⁽¹⁾ 400 mm 1401 1540	1 st contact NO/NC 2699 0031 2 nd contact NO/NC 2699 0032																						3 P 2698 3080 ⁽²⁾⁽³⁾ 4 P 2698 4080 ⁽²⁾⁽³⁾
	4 P	26AC 4064																										
800 A / B6	3 P	26AC 3080					J4 type Black 1142 1111 ⁽¹⁾ Red 1143 1111	S4 type Black IP65 1443 3111 ⁽¹⁾ Red IP65 1444 3111	200 mm 1401 1520 320 mm 1401 1532 ⁽¹⁾ 400 mm 1401 1540	1 st contact NO/NC 2699 0031 2 nd contact NO/NC 2699 0032																		3 P 2698 3080 ⁽²⁾⁽³⁾ 4 P 2698 4080 ⁽²⁾⁽³⁾
	4 P	26AC 4080																										
1000 A / B6	3 P	26AC 3100									J4 type Black 1142 1111 ⁽¹⁾ Red 1143 1111	S4 type Black IP65 1443 3111 ⁽¹⁾ Red IP65 1444 3111	200 mm 1401 1520 320 mm 1401 1532 ⁽¹⁾ 400 mm 1401 1540	1 st contact NO/NC 2699 0031 2 nd contact NO/NC 2699 0032														3 P 2698 3080 ⁽²⁾⁽³⁾ 4 P 2698 4080 ⁽²⁾⁽³⁾
	4 P	26AC 4100																										
CD 1250 A / B6	3 P	26AC 3120													J4 type Black 1142 1111 ⁽¹⁾ Red 1143 1111	S4 type Black IP65 1443 3111 ⁽¹⁾ Red IP65 1444 3111	200 mm 1401 1520 320 mm 1401 1532 ⁽¹⁾ 400 mm 1401 1540	1 st contact NO/NC 2699 0031 2 nd contact NO/NC 2699 0032										3 P 2698 3080 ⁽²⁾⁽³⁾ 4 P 2698 4080 ⁽²⁾⁽³⁾
	4 P	26AC 4120																										
1250 A / B7	3 P	26AC 3121																	J4 type Black 1142 1111 ⁽¹⁾ Red 1143 1111	S4 type Black IP65 1443 3111 ⁽¹⁾ Red IP65 1444 3111	200 mm 1401 1520 320 mm 1401 1532 ⁽¹⁾ 400 mm 1401 1540	1 st contact NO/NC 2699 0031 2 nd contact NO/NC 2699 0032						3 P 2698 3120 ⁽²⁾⁽³⁾ 4 P 2698 4120 ⁽²⁾⁽³⁾
	4 P	26AC 4121																										
1600 A / B7	3 P	26AC 3160																					J4 type Black 1142 1111 ⁽¹⁾ Red 1143 1111	S4 type Black IP65 1443 3111 ⁽¹⁾ Red IP65 1444 3111	200 mm 1401 1520 320 mm 1401 1532 ⁽¹⁾ 400 mm 1401 1540	1 st contact NO/NC 2699 0031 2 nd contact NO/NC 2699 0032		3 P 2698 3120 ⁽²⁾⁽³⁾ 4 P 2698 4120 ⁽²⁾⁽³⁾
	4 P	26AC 4160																										
2000 A / B8	3 P	26AC 3200	S5 type Black 2799 7042 ⁽¹⁾ Red 2799 7043	S5 type Black IP65 1453 8111 ⁽¹⁾ Red IP65 1454 8111	200 mm 2799 3015 320 mm 2799 3018 ⁽¹⁾ 450 mm 2799 3019	1 st / 2 nd included																						3 P 2698 3200 ⁽²⁾⁽³⁾ 4 P 2698 4200 ⁽²⁾⁽³⁾
	4 P	26AC 4200																										
4000 A / B9	3 P	26AC 3400					V0 type Black 2799 7072 ⁽¹⁾	V0 type Black 2799 7155 ⁽¹⁾	200 mm 2799 3015 320 mm 2799 3018 ⁽¹⁾ 450 mm 2799 3019	1 st / 2 nd included																		3/4P 1509 4200 ⁽⁴⁾
	4 P	26AC 4400																										

(1) Standard.

(2) Mandatory for voltage greater than 415 VAC.

(3) Top or bottom.

(4) Top and bottom.

Verify the certification of your product: page 130.

SIRCO - References

Standard applications - Front operation - 6 & 8-pole

Rating (A) / Frame size	No. of poles	Switch body	Direct handle	External handle	Shaft for external handle	Auxiliary contact	Terminal shrouds	Terminal screens
125 A / B3 _{DS}	6 P	2601 6013	Type B3 Black 4199 5012 ⁽¹⁾	S2 type Black IP55 1421 2111 ⁽¹⁾ Red IP65 1424 2111	200 mm 1400 1020 320 mm 1400 1032 ⁽¹⁾		6 P 2694 3014 ⁽²⁾⁽³⁾ 8 P 2694 4014 ⁽²⁾⁽³⁾	6 P 1509 3012 ⁽⁴⁾ 8 P 1509 4012 ⁽⁴⁾
	8 P	2601 8013						
160 A / B3 _{DS}	6 P	2601 6016						
	8 P	2601 8016						
250 A / B4 _{DS}	6 P	2601 6025	Type C1 Black 2799 7052 ⁽¹⁾ Red 2799 7053	Type S4 Black IP65 1443 3111 ⁽¹⁾ Red IP65 1444 3111	200 mm 1401 1520 320 mm 1401 1532 ⁽¹⁾	1 st NO/NC contact 2699 0061 2 nd NO/NC contact 2699 0062	6 P 2694 3021 ⁽²⁾⁽³⁾ 8 P 2694 4021 ⁽²⁾⁽³⁾	6 P 1509 3025 ⁽⁴⁾ 8 P 1509 4025 ⁽⁴⁾
	8 P	2601 8025						
400 A / B5 _{DS}	6 P	2601 6040						
	8 P	2601 8040						
630 A / B5 _{DS}	6 P	2601 6063						
	8 P	2601 8063						
800 A / B6 _{DS}	6 P	2601 6080	C2 type Black 2799 7012 ⁽¹⁾ Red 2799 7013	Type V1 Black IP65 2799 7145 ⁽¹⁾	320 mm 2799 3018 ⁽¹⁾		6 P 1509 3080 ⁽⁴⁾ 8 P 1509 4080 ⁽⁴⁾	
	8 P	2601 8080						
1000 A / B6 _{DS}	6 P	2601 6100						
	8 P	2601 8100						
1250 A / B7 _{DS}	6 P	2601 6120						
	8 P	2601 8120						
1600 A / B7 _{DS}	6 P	2601 6160					6 P 1509 3160 ⁽⁴⁾ 8 P 1509 4160 ⁽⁴⁾	
	8 P	2601 8160						

(1) Standard.

(2) Top or bottom on the front or rear of the device.

(3) Select 2 sets for front or rear.

(4) Top or bottom at the front of the device.

Accessories

Direct operation handle

SIRCO direct operation handle				
Rating (A) / Frame size	No. of poles	Handle type	Handle colour	Reference
125 ... 160 / B3	3/4 P	B1	Black	2699 5042 ⁽¹⁾
125 ... 160 / B3	3/4 P	B1	Red	2699 5043
125 ... 160 / B3 _{DS}	6/8 P	B3	Black	4199 5012 ⁽¹⁾
200 ... 630 / B4-B5	3/4 P	B2	Black	2699 5052 ⁽¹⁾
200 ... 630 / B4-B5	3/4 P	B2	Red	2699 5053
250 ... 630 / B4 _{DS} -B5 _{DS}	6/8 P	C1	Black	2799 7052 ⁽¹⁾
250 ... 630 / B4 _{DS} -B5 _{DS}	6/8 P	C1	Red	2799 7053
800 ... 3200 / B6...B8	3/4 P	C2	Black	2799 7012 ⁽¹⁾
800 ... 3200 / B6...B8	3/4 P	C2	Red	2799 7013
800 ... 1600 / B6 _{DS} -B7 _{DS}	6/8 P	C2	Black	2799 7012 ⁽¹⁾
800 ... 1600 / B6 _{DS} -B7 _{DS}	6/8 P	C2	Red	2799 7013
4000 ... 5000 / B9	3/4 P	V0	Black	2799 7072 ⁽¹⁾

(1) Standard.



SIRCO AC direct operation handle				
Rating (A) / Frame size	No. of poles	Handle type	Handle colour	Reference
200 ... CD 630 / B4 ... B5	3/4 P	J1	Black	1112 1111 ⁽¹⁾
200 ... CD 630 / B4 ... B5	3/4 P	J1	Red	1113 1111
630 ... 1600 / B6 ... B7	3/4 P	J4	Black	1142 1111 ⁽¹⁾
630 ... 1600 / B6 ... B7	3/4 P	J4	Red	1143 1111
2000 / B8	3/4 P	S5	Black	2799 7042 ⁽¹⁾
2000 / B8	3/4 P	S5	Red	2799 7043
4000 / B9	3/4 P	V0	Black	2799 7072 ⁽¹⁾

(1) Standard.

Door interlocked external operation handle

SIRCO and SIRCO AC external front operation handle						
Rating (A) / Frame size		No. of poles	Handle type	Handle colour	External IP ⁽¹⁾	Reference
SIRCO	SIRCO AC					
125 ... 630 / B3 ... B5	200 ... CD 630 / B4 ... B5	3/4 P	S2	Black	IP55	1421 2111 ⁽²⁾
				Black	IP65	1423 2111
				Red	IP65	1424 2111
				Black	IP55	1421 2111 ⁽²⁾
125 ... 160 / B3 _{DS}		6/8 P	S4	Black	IP65	1423 2111
				Red	IP65	1424 2111
250 ... 630 / B4 _{DS} -B5 _{DS}		6/8 P	S4	Black	IP65	1443 3111
				Red	IP65	1444 3111
800 ... 1600 / B6 _{DS} -B7 _{DS}		6/8 P	V1	Black	IP65	2799 7145 ⁽²⁾
				Black	IP65	1443 3111 ⁽²⁾
800 ... 1800 / B6-B7	630 ... 1600 / B6 ... B7	3/4 P	S4	Red	IP65	1444 3111
				Black	IP65	2799 7136 ⁽²⁾
2000 ... 3200 / B8	2000 / B8	3/4 P	S5	Red	IP65	2799 7134
				Black	IP65	1453 8111
				Red	IP65	1454 8111
4000 ... 5000 / B9	4000 / B9	3/4 P	V0	Black	IP65	2799 7155 ⁽²⁾

(1) IP: protection degree according to IEC 60529 standard.

(2) Standard.

Use

Door interlocked external operation handles include an escutcheon, are padlockable and must be utilised with an extension shaft.



Verify the certification of your product: page 130.

SIRCO

Load break switches for power distribution
from 125 to 5000 A

Accessories (continued)

Shaft for external operation

For 3/4 pole SIRCO and SIRCO AC

Rating (A) / Frame size		Dimension X (mm)	Length (mm)	Reference
SIRCO	SIRCO AC			
125 ... 160 / B3		125 ... 250	200	1400 1020
		125 ... 300	250	1400 1025
		125 ... 370	320	1400 1032
		125 ... 550	500	1400 1050
		125 ... 850	750	1400 1075
200 ... 250 / B4	200 ... 315 / B4	135 ... 265	200	1400 1020
		135 ... 315	250	1400 1025
		135 ... 385	320	1400 1032
		135 ... 565	500	1400 1050
		135 ... 880	750	1400 1075
315 ... 630 / B5	400 ... CD 630 / B5	165 ... 295	200	1400 1020
		165 ... 345	250	1400 1025
		165 ... 415	320	1400 1032
		165 ... 595	500	1400 1050
800 ... 1800 / B6...B7	630 ... 1600 / B6 ... B7	221 ... 343	200	1401 1520
		221 ... 463	320	1401 1532
		221 ... 543	400	1401 1540
2000 ... 3200 / B8	2000 / B8	415 ... 570	200	2799 3015
		415 ... 690	320	2799 3018
		415 ... 820	450	2799 3019
4000 ... 5000 / B9	4000 / B9	550 ... 680	200	2799 3015
		651 ... 921	320	2799 3018

For 6/8-pole SIRCO

Rating (A) / Frame size	Dimension X (mm)	Length (mm)	Reference
125 ... 160 / B3 _{DS}	270 ... 436	200	1400 1020
125 ... 160 / B3 _{DS}	270 ... 556	320	1400 1032
250 ... 630 / B4 _{DS} -B5 _{DS}	221 ... 308	200	1401 1520
250 ... 630 / B4 _{DS} -B5 _{DS}	221 ... 428	320	1401 1532
250 ... 630 / B4 _{DS} -B5 _{DS}	221 ... 508	400	1401 1540

Use

Standard lengths:

- 200 mm
- 250 mm
- 300 mm
- 400 mm
- 500 mm
- 750 mm

Other lengths available:

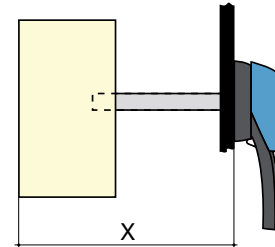
- please consult us.



access_368_a_1_x_cat



access_144_b_1_x_cat



access_202_a_1_x_cat

Alternative handle cover colours

Use

For S type handles.

Handle colour	To be ordered in multiples of	Handle type	Reference
Light grey	50	S2, S3	1401 0001
Dark grey	50	S2, S3	1401 0011
Light grey	50	S4	1401 0031
Dark grey	50	S4	1401 0041



S type cover

access_198_a_2_cat

S type handle adapter

Use

Adds 12 mm to the depth of the handle.

Handle colour	To be ordered in multiples of	External IP ⁽¹⁾	Reference
Black	1	IP65	1493 0000

(1) IP: protection degree according to IEC 60529 standard.



access_167_a_1_cat

Verify the certification of your product: page 130.

Shaft guide for external operation

Use

For use with S-type handles, to guide the shaft extension into the external handle. This accessory enables the handle to engage the extension shaft with a misalignment of up to 15 mm. Recommended for shaft lengths over 320 mm.



access_260_a_2_cat

Description	Reference
Shaft guide	1429 0000

Auxiliary contact

Use

Pre-break and signalling of positions 0 and I:
 - 1 to 2 NO/NC auxiliary contacts.
 - 1 to 4 NO+NC auxiliary contacts.
 - 1 to 2 low level NO/NC auxiliary contacts.

Characteristics

NO/NC A/C: IP22 with front operation.

Connection to the control circuit

6.35 mm fast-on terminal.

Electrical characteristics

30 000 operations.

NO/NC contact for 3/4 pole SIRCO and SIRCO AC		
Rating (A) / Frame size	Position A/C	Reference
125 ... 3200 / B3 ... B8	1 st	2699 0031
125 ... 3200 / B3 ... B8	2 nd	2699 0032
4000 ... 5000 / B9	1 st /2 nd	included

NO/NC contact for 6/8 pole SIRCO		
Rating (A) / Frame size	Position A/C	Reference
125 ... 1600 / B3 _{DS} ... B7 _{DS}	1 st	2699 0061
125 ... 1600 / B3 _{DS} ... B7 _{DS}	2 nd	2699 0062

NO+NC contact for 3/4 pole SIRCO and SIRCO AC		
Rating (A) / Frame size	Position A/C	Reference
125 ... 3200 / B3 ... B8	1 st	2699 0141
125 ... 3200 / B3 ... B8	2 nd /3 rd /4 th	2699 0142

NO/NC low level contact for 3/4 pole SIRCO and SIRCO AC		
Rating (A) / Frame size	Position A/C	Reference
125 ... 3200 / B3 ... B8	1 st	2699 0301
125 ... 3200 / B3 ... B8	2 nd	2699 0302

Characteristics

Rating (A) / Frame size	Contact type	Current nominal (A)	Operating current I _o (A)									
			230 VAC		400 VAC		24 VDC			48 VDC		
			AC-12	AC-13/15	AC-12	AC-13/15	DC-12	DC-13	DC-14	DC-12	DC-13	DC-14
125 ... 3200 / B3 ... B8	NO/NC	16	16	4	12	3	2.5	2.5	1	2.5	1.2	0.2
125 ... 3200 / B3 ... B8	NO + NC	16	16	4	16	3	16	5	1	2.5	1.2	0.2

Inter-phase barrier

Use

Safe isolation between the terminals, essential for use at 690 VAC or in a polluted or dusty atmosphere.

For 3/4 poles SIRCO and SIRCO AC

Rating (A) / Frame size			
SIRCO	SIRCO AC	No. of poles	Reference
125 ... 160 / B3		3 P	2998 0033
125 ... 160 / B3		4 P	2998 0034
200 ... 250 / B4	200 ... 315 / B4	3 P	2998 0023
200 ... 250 / B4	200 ... 315 / B4	4 P	2998 0024
315 ... 630 / B5	315 ... CD 360 / B5	3 P	2998 0013
315 ... 630 / B5	315 ... CD 360 / B5	4 P	2998 0014
800 ... 5000 / B6 ... B9	630 ... 4000 / B6 ... B9	3 P	included
800 ... 5000 / B6 ... B9	630 ... 4000 / B6 ... B9	4 P	included



access_036_a_1_cat

Verify the certification of your product: page 130.

SIRCO

Load break switches for power distribution
from 125 to 5000 A

Accessories (continued)

Terminal shrouds

Use

Top or bottom protection against direct contact with terminals or connection parts.

Advantage

Perforations allow remote thermographic inspection without the need to remove the shrouds. The terminal shrouds also provide phase separation for SIRCO and SIRCO AC from 125 to 630 A.



access_077_a_1_cat

For 3/4 poles SIRCO and SIRCO AC

Rating (A) / Frame size	SIRCO AC	No. of poles	Position	Reference
125 ... 160 / B3		3 P	top or bottom	2694 3014 ⁽¹⁾
125 ... 160 / B3		4 P	top or bottom	2694 4014 ⁽²⁾
200 ... 250 / B4	200 ... 315 / B4	3 P	top or bottom	2694 3021 ⁽¹⁾
200 ... 250 / B4	200 ... 315 / B4	4 P	top or bottom	2694 4021 ⁽²⁾
315 ... 630 / B5	400 ... CD 630 / B5	3 P	top or bottom	2694 3051 ⁽¹⁾
315 ... 630 / B5	400 ... CD 630 / B5	4 P	top or bottom	2694 4051 ⁽²⁾

(1) Reference includes 3 parts for top or bottom protection.
(2) Reference includes 4 parts for top or bottom protection.

For 6/8-pole SIRCO

Rating (A) / Frame size	No. of poles	Position	Reference
125 ... 160 / B3 _{DS}	6 P	Top or bottom	2694 3014 ⁽¹⁾⁽³⁾
125 ... 160 / B3 _{DS}	8 P	Top or bottom	2694 4014 ⁽²⁾⁽³⁾
250 / B4 _{DS}	6 P	Top or bottom	2694 3021 ⁽¹⁾⁽³⁾
250 / B4 _{DS}	8 P	Top or bottom	2694 4021 ⁽²⁾⁽³⁾
400 ... 630 / B5 _{DS}	6 P	Top or bottom	2694 3051 ⁽¹⁾⁽³⁾
400 ... 630 / B5 _{DS}	8 P	Top or bottom	2694 4051 ⁽²⁾⁽³⁾

(1) Reference includes 3 parts for top or bottom protection on the front or rear of the device.
(2) Reference includes 4 parts for top or bottom protection on the front or rear of the device.
(3) Select 2 sets for front or rear.

Distribution block

Use

Easy connection of multiple cables, bottom of the SIRCO.

For 3/4-pole SIRCO

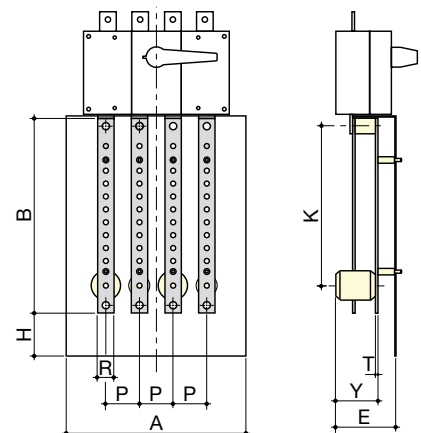
Rating (A) / Frame size	No. of poles	No. of feeders per section (mm ²)	I _{cc} (kA rms) ⁽¹⁾	Reference
160 / B3	3 P	1x95 + 8x25	10	5411 3016
160 / B3	4 P	1x95 + 8x25	10	5411 4016
250 / B4	3 P	1x150 + 8x50	15	5411 3025
250 / B4	4 P	1x150 + 8x50	15	5411 4025
400 / B5	3 P	1x240 + 8x95	21	5411 3040
400 / B5	4 P	1x240 + 8x95	21	5411 4040
630 / B5	3 P	1x300 + 8x150	21	5411 3063
630 / B5	4 P	1x300 + 8x150	21	5411 4063

Dimensions

Rating (A) / Frame size	No. of poles	A	B	T	H	K	P	R	T	Y
160 / B3	3 P	154	286	73	46.5	261.5	36	20	4	54
160 / B3	4 P	190	286	73	46.5	261.5	36	20	4	54
250 / B4	3 P	210	307	83	57.5	279	50	25	4	56
250 / B4	4 P	260	307	83	57.5	279	50	25	4	56
400 / B5	3 P	281	375	116	82.5	340	65	32	5	82
400 / B5	4 P	346	375	116	82.5	340	65	32	5	82
630 / B5	3 P	271	438	117	90.5	410.5	65	40	6	83
630 / B5	4 P	346	438	117	90.5	410.5	65	40	6	83



repair_020_c_2_cat



repair_003_c_1_x_cat

Verify the certification of your product: page 130.

Terminal screens

Use

Top or bottom protection from direct contact with terminals or connection parts.

For 3/4 poles SIRCO and SIRCO AC

Rating (A) / Frame size		No. of poles	Position	Reference
SIRCO	SIRCO AC			
125 ... 160 / B3		3 P	top or bottom	2698 3012
125 ... 160 / B3		4 P	top or bottom	2698 4012
200 ... 250 / B4	200 ... 315 / B4	3 P	top or bottom	2698 3020
200 ... 250 / B4	200 ... 315 / B4	4 P	top or bottom	2698 4020
315 ... 630 / B5	400 ... CD 630 / B5	3 P	top or bottom	2698 3050
315 ... 630 / B5	400 ... CD 630 / B5	4 P	top or bottom	2698 4050
800 ... CD 1250 / B6	630 ... CD 1250 / B6	3 P	top or bottom	2698 3080
800 ... CD 1250 / B6	630 ... CD 1250 / B6	4 P	top or bottom	2698 4080
1250 ... 1800 / B7	1250 ... 1600 / B7	3 P	top or bottom	2698 3120
1250 ... 1800 / B7	1250 ... 1600 / B7	4 P	top or bottom	2698 4120
2000 ... 3200 / B8	2000 / B8	3 P	top or bottom	2698 3200
2000 ... 3200 / B8	2000 / B8	4 P	top or bottom	2698 4200
4000 ... 5000 / B9	4000 / B9	3/4 P	top or bottom	1509 4200



access_079_a_1_cat

For 6/8-pole SIRCO

Rating (A) / Frame size	No. of poles	Position	Reference
125 ... 160 / B3 _{DS}	6 P	Top or bottom	1509 3012
125 ... 160 / B3 _{DS}	8 P	Top or bottom	1509 4012
250 / B4 _{DS}	6 P	Top or bottom	1509 3025
250 / B4 _{DS}	8 P	Top or bottom	1509 4025
400 ... 630 / B5 _{DS}	6 P	Top or bottom	1509 3063
400 ... 630 / B5 _{DS}	8 P	Top or bottom	1509 4063
800 ... 1250 / B6 _{DS} -B7 _{DS}	6 P	Top or bottom	1509 3080
800 ... 1250 / B6 _{DS} -B7 _{DS}	8 P	Top or bottom	1509 4080
1600 / B7 _{DS}	6 P	Top or bottom	1509 3160
1600 / B7 _{DS}	8 P	Top or bottom	1509 4160

Cage terminals

Use

They enable a direct terminal-free connection to rigid copper and aluminium conductors with integration under the IP2X protective cover.

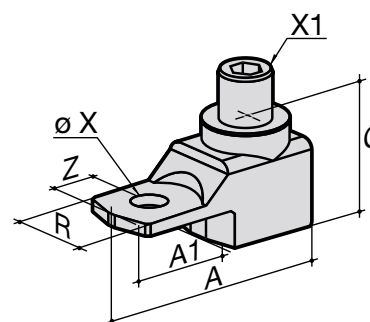
Material: tin-plated aluminium

Dimensions

Rating (A) / Frame size	A	A1	C	T	R	T	ØX	X1	Z
125 ... 160 / B3	47.5	22.5	25	12	20	3.5	8.5	M12	10
200 ... 250 / B4	62	31.5	31.5	16.5	25	2.5	10.5	M16	14
315 ... 400 / B5	71.5	32	38	9	32	5	10.5	M20	15
500 ... 630 / B5	76.5	37	38	9	40	5	12.5	M20	15

References

Rating (A) / Frame size	Tightening capacity (mm ²)	No. of poles	Tightening torque (Nm)	Flexible bar width (mm)	Reference
125 ... 160 / B3	16 ... 95	3 P	14	13	5400 3016
125 ... 160 / B3	16 ... 95	4 P	14	13	5400 4016
200 ... 250 / B4	16 ... 185	3 P	25	18	5400 3025
200 ... 250 / B4	16 ... 185	4 P	25	18	5400 4025
315 ... 400 / B5	50 ... 240	3 P	45	20	5400 3040
315 ... 400 / B5	50 ... 240	4 P	45	20	5400 4040
500 ... 630 / B5	70 ... 300	3 P	45	24	5400 3063
500 ... 630 / B5	70 ... 300	4 P	45	24	5400 4063



born_019_a_1_x_cat

Verify the certification of your product: page 130.

Accessories (continued)

Copper bar connection kits

Use

To allow connection between the two power terminals of the same pole for 2000 to 3200 A ratings (Fig. 1 and Fig 2).

For 3200 A rating, the connection pieces (part A) are delivered bridged as standard.

Bolt sets must be ordered separately.

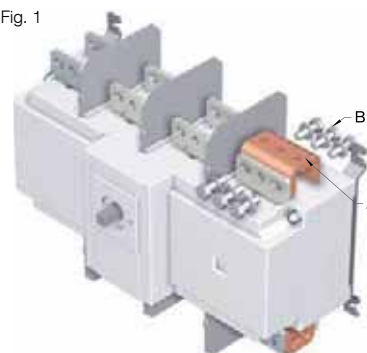
Further details for these specific accessories are available in the user guide downloadable from www.socomec.com.

Top or bottom flat connection - Fig. 1

Rating (A) / Frame size	Part	Quantity to order per pole ⁽¹⁾	Reference
2000 ... 2500 / B8	Connection - part A	1	2619 1200
2000 ... 2500 / B8	Bolt set - part B	1	2699 1200
3200 / B8	Connection - part A		included
3200 / B8	Bolt set - part B	1	2699 1200
4000 ... 5000 / B9	Standard connection		

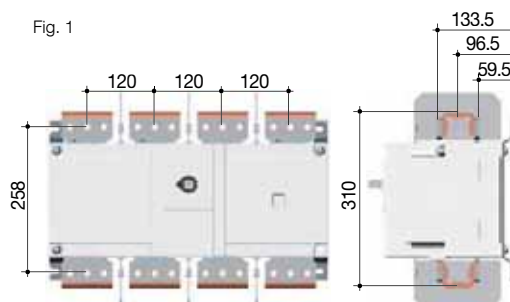
⁽¹⁾ Example for 3-pole device equipped top only; order 3 times the indicated quantity.

Fig. 1



access_220_c_1_x_cat

Fig. 1



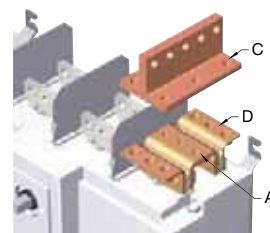
access_224_a_1_cat

Top or bottom edgewise connection - Fig. 2

Rating (A) / Frame size	Part	Quantity to order per pole ⁽¹⁾	Reference
2000 ... 2500 / B8	Connection - part A	1	2619 1200
2000 ... 2500 / B8	T piece - part C	1	2629 1200 ⁽²⁾
2000 ... 2500 / B8	Bracket - part D	1	2639 1200 ⁽²⁾
3200 / B8	Connection - part A		included
3200 / B8	T piece - part C	1	2629 1200
3200 / B8	Bracket - part D	1	2639 1200
4000 ... 5000 / B9	Standard connection		

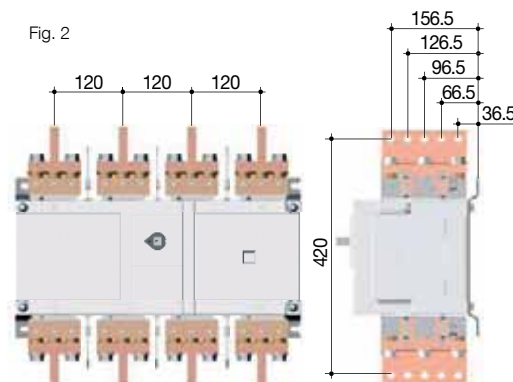
⁽¹⁾ Example for 3-pole device equipped top only; order 3 times the indicated quantity.
⁽²⁾ Bolt set is provided with the accessories.

Fig. 2



access_222_b_1_x_cat

Fig. 2



access_225_a_1_cat

Verify the certification of your product: page 130.

Key handle interlocking system

Use

Locking in position 0 of the front or side operation handle:

- using a padlock (not supplied) and standard padlocking function of the handle. From 125 to 1800 A, padlocking the external front operation handle provides door interlocking,

- using a lock (not supplied): see diagrams opposite,
- using an undervoltage coil: the SIRCO can only be closed if the coil is energised.

For 6 / 8-pole, please consult us.

For SIRCO

Locking using RONIS EL11AP lock (not supplied)

Rating (A) / Frame size	No. of poles	Operation	Figure	Reference
125 ... 630 / B3 ... B5	3/4 P	Front direct	1	2699 6008 ⁽¹⁾
125 ... 1800 / B3 ... B7	3/4 P	External front	3	1499 7701
800 ... 3200 / B6 ... B8	3/4 P	Front direct	2	2699 6027
1250 ... 5000 / B7 ... B9	3/4 P	External front	4	2799 7002

(1) Front operation handle included.

For SIRCO AC

Locking using RONIS EL11AP lock (not supplied)

Rating (A) / Frame size	No. of poles	Operation	Figure	Reference
200 ... CD 630 / B4 ... B5	3/4 P	Front direct	1	2699 6011 ⁽¹⁾
630 ... 1600 / B6 ... B7	3/4 P	Front direct	2	2699 6028

(1) The locking system is directly mounted on the device.

For SIRCO

Locking using 230 VAC undervoltage coil

(For other voltages, please contact us)

Rating (A) / Frame size	No. of poles	Operation	Reference
125 ... 630 / B3 ... B5	3/4 P	External front	2699 9063 ⁽¹⁾
800 ... 3200 / B6 ... B8	3/4 P	Front direct	2699 9315 ⁽¹⁾

(1) The locking system is directly mounted on the device.

Locking using CASTELL lock (not supplied)

Rating (A) / Frame size	No. of poles	Handle type	Lock type	Operation	Figure	Reference
125 ... 160 / B3	6/8 P	S2	K	External front	2	4109 8507
125 ... 1 800 / B3 ... B8	3/4 P	S2, S4	FS	External front	3	1499 7703
125 ... 1 800 / B3 ... B8	3/4 P	S2, S4	K	External front	3	1499 7702
250 ... 630 / B4 ... B5	6/8 P	S4	K	External front	2	2999 8707
800 ... 1 600 / B6 ... B7	6/8 P	S5	K	External front	2	2799 7003
1 250 ... 4 000 / B7 ... B9	3/4 P	S5, S0	K	External front	2	2799 7003

Fig. 1

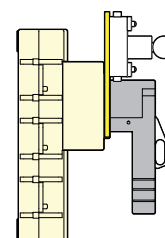


Fig. 3

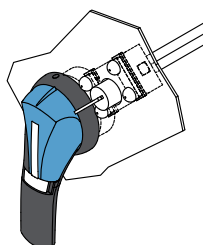


Fig. 2

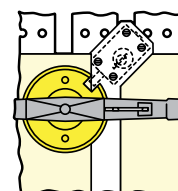
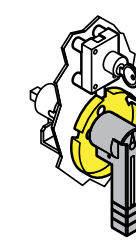


Fig. 4



Other specific accessories



- Mechanical coupling device for making switches with "n" poles of the same or different ratings
- Mechanical interlocking device

Verify the certification of your product: page 130.

SIRCO characteristics according to IEC 60947-3

125 to 800 A

Thermal current I_{th} at 40°C	125 A	160 A	200 A	250 A	315 A	400 A	500 A	630 A	800 A
Frame size	B3	B3	B4	B4	B5	B5	B5	B5	B6
Rated insulation voltage U_i (V)	800	800	800	800	1000	1000	1000	1000	1000
Rated impulse withstand voltage U_{imp} (kV)	8	8	8	8	12	12	12	12	12

Rated operational currents I_e (A)

Rated voltage	Utilisation category	A / B ⁽¹⁾	A / B ⁽¹⁾	A / B ⁽¹⁾	A / B ⁽¹⁾	A / B ⁽¹⁾	A / B ⁽¹⁾	A / B ⁽¹⁾	A / B ⁽¹⁾	A / B ⁽¹⁾
415 VAC	AC-20 A / AC-20 B	125 / 125	160 / 160	200 / 200	250 / 250	315 / 315	400 / 400	500 / 500	630 / 630	800 / 800
415 VAC	AC-21 A / AC-21 B	125 / 125	160 / 160	200 / 200	250 / 250	315 / 315	400 / 400	500 / 500	630 / 630	800 / 800
415 VAC	AC-22 A / AC-22 B	125 / 125	160 / 160	200 / 200	250 / 250	315 / 315	400 / 400	500 / 500	630 / 630	800 / 800
415 VAC	AC-23 A / AC-23 B	125 / 125	160 / 160	200 / 200	250 / 250	315 / 315	400 / 400	500 / 500	500 / 500	800 / 800
220 VDC	DC-20 A / DC-20 B	125 / 125	160 / 160	200 / 200	250 / 250	315 / 315	400 / 400	500 / 500	630 / 630	800 / 800
220 VDC	DC-21 A / DC-21 B	125 / 125	160 / 160	160 / 200	250 / 250	315 / 315	400 / 400	500 / 500	630 / 630	800 / 800
220 VDC	DC-22 A / DC-22 B	125 / 125	160 / 160	160 / 200	250 / 250	315 / 315	400 / 400	400 / 500	500 / 500	800 / 800
220 VDC	DC-23 A / DC-23 B	125 / 125	125 / 125	160 / 160	200 / 200	315 / 315	400 / 400	400 / 400	500 / 500	800 / 800
440 VDC	DC-20 A / DC-20 B	125 / 125	160 / 160	200 / 200	250 / 250	315 / 315	400 / 400	500 / 500	630 / 630	800 / 800
440 VDC	DC-21 A / DC-21 B	125 ⁽³⁾ / 125 ⁽³⁾	160 ⁽³⁾ / 160 ⁽³⁾	160 ⁽³⁾ / 200 ⁽³⁾	200 ⁽³⁾ / 200 ⁽³⁾	315 ⁽³⁾ / 315 ⁽³⁾	400 ⁽³⁾ / 400 ⁽³⁾	400 ⁽³⁾ / 400 ⁽³⁾	500 ⁽³⁾ / 500 ⁽³⁾	800 ⁽⁴⁾ / 800 ⁽⁴⁾
440 VDC	DC-22 A / DC-22 B	125 ⁽³⁾ / 125 ⁽³⁾	125 ⁽³⁾ / 125 ⁽³⁾	160 ⁽³⁾ / 160 ⁽³⁾	200 ⁽³⁾ / 200 ⁽³⁾	315 ⁽³⁾ / 315 ⁽³⁾	400 ⁽³⁾ / 400 ⁽³⁾	400 ⁽³⁾ / 400 ⁽³⁾	500 ⁽³⁾ / 500 ⁽³⁾	800 ⁽⁴⁾ / 800 ⁽⁴⁾
440 VDC	DC-23 A / DC-23 B	125 ⁽⁴⁾ / 125 ⁽⁴⁾	125 ⁽⁴⁾ / 125 ⁽⁴⁾	160 ⁽⁴⁾ / 160 ⁽⁴⁾	200 ⁽⁴⁾ / 200 ⁽⁴⁾	315 ⁽⁴⁾ / 315 ⁽⁴⁾	400 ⁽⁴⁾ / 400 ⁽⁴⁾	400 ⁽⁴⁾ / 400 ⁽⁴⁾	500 / 500	800 ⁽⁴⁾ / 800 ⁽⁴⁾
500 VDC	DC-20 A / DC-20 B	125 / 125	160 / 160	200 / 200	250 / 250	315 / 315	400 / 400	500 / 500	630 / 630	800 / 800
500 VDC	DC-21 A / DC-21 B	125 ⁽³⁾ / 125 ⁽³⁾	125 ⁽³⁾ / 125 ⁽³⁾	160 ⁽³⁾ / 200 ⁽³⁾	200 ⁽³⁾ / 200 ⁽³⁾	315 ⁽³⁾ / 315 ⁽³⁾	400 ⁽³⁾ / 400 ⁽³⁾	400 ⁽³⁾ / 400 ⁽³⁾	500 ⁽³⁾ / 500 ⁽³⁾	800 ⁽⁴⁾ / 800 ⁽⁴⁾
500 VDC	DC-22 A / DC-22 B	125 ⁽⁴⁾ / 125 ⁽⁴⁾	125 ⁽⁴⁾ / 125 ⁽⁴⁾	160 ⁽⁴⁾ / 160 ⁽⁴⁾	200 ⁽⁴⁾ / 200 ⁽⁴⁾	315 ⁽⁴⁾ / 315 ⁽⁴⁾	315 ⁽⁴⁾ / 400 ⁽⁴⁾	315 ⁽⁴⁾ / 400 ⁽⁴⁾	500 ⁽⁴⁾ / 500 ⁽⁴⁾	800 ⁽⁴⁾ / 800 ⁽⁴⁾
500 VDC	DC-23 A / DC-23 B	125 ⁽⁴⁾ / 125 ⁽⁴⁾	125 ⁽⁴⁾ / 125 ⁽⁴⁾	160 ⁽⁴⁾ / 160 ⁽⁴⁾	200 ⁽⁴⁾ / 200 ⁽⁴⁾	315 ⁽⁴⁾ / 315 ⁽⁴⁾	315 ⁽⁴⁾ / 400 ⁽⁴⁾	315 ⁽⁴⁾ / 400 ⁽⁴⁾	500 ⁽⁴⁾ / 500 ⁽⁴⁾	800 ⁽⁴⁾ / 800 ⁽⁴⁾

Operational power in AC-23 (kW)⁽¹⁾⁽⁵⁾

At 415 VAC without AC pre-break ⁽¹⁾	63 / 63	80 / 80	100 / 100	132 / 132	160 / 160	220 / 220	280 / 280	280 / 280	450 / 450
--	---------	---------	-----------	-----------	-----------	-----------	-----------	-----------	-----------

Reactive power (kvar)

At 400 VAC (kvar) ⁽⁵⁾	55	75	90	115	145	185	230	290	365
----------------------------------	----	----	----	-----	-----	-----	-----	-----	-----

gG DIN fuse protected short-circuit withstand (kA rms prospective)⁽⁶⁾

Prospective short-circuit current (kA rms)	100	100	80	50	100	100	100	70	50
Associated fuse rating (A)	125	160	200	250	315	400	500	630	800

Circuit breaker protected short-circuit withstand with any circuit breaker that ensures tripping in less than 0.3s

Rated short-time withstand current 0.3s. I_{cw} (kA rms)	15	15	17	17	25	25	25	25	50
--	----	----	----	----	----	----	----	----	----

Short-circuit operation (switch only)

Rated short-time withstand current I_{cw} 1s (kA rms)	7	7	9	9	13	13	13	13	26
Rated peak withstand current in I_{cc} (kA peak) ⁽⁶⁾⁽⁷⁾	20	20	30	30	45	45	45	45	55

Connection

Minimum Cu cable cross-section (mm ²)	35	50	70	95	150	185	240	2 x 150	2 x 185
Minimum Cu busbar cross-section (mm ²)								2 x 30 x 5	2 x 40 x 5
Maximum Cu cable cross-section (mm ²)	50	95	95	150	240	240	240	2 x 300	2 x 300
Maximum Cu busbar width (mm)	25	25	32	32	40	40	40	50	63
Tightening torque min/max (Nm)	9 / -	9 / -	20 / -	20 / -	20 / -	20 / -	20 / -	40 / 45	40 / 45

Mechanical characteristics

Durability (number of operating cycles)	10000	10000	10000	10000	10000	10000	10000	10000	3000
Operating effort (Nm)	6.5	6.5	10	10	14.5	14.5	14.5	14.5	37
Weight of a 3-pole device (kg)	1	1.5	2	2	3.5	3.5	3.5	3.5	8
Weight of a 4-pole device (kg)	1.5	1.5	2	2	4	4	4.5	4.5	10

(1) Category with index A = frequent operation - Category with index B = infrequent operation.

(2) With terminal shrouds or phase barrier.

(3) 3-pole device with 2 poles in series for the '+' and 1 pole for the '-'.

(4) 4-pole device with 2 poles in series per polarity.

(5) The power value is given for information only, the current values vary from one manufacturer to another.

(6) For a rated operational voltage $U_e = 415$ VAC.

(7) Coordination tables with circuit breaker: please consult us.

SIRCO characteristics according to IEC 60947-3

1000 to 5000 A

Thermal current I_{th} at 40°C	1000 A	CD 1250 A	1250 A	1600 A	1800 A	2000 A	2500 A	3200 A	4000 A	5000 A
Frame size	B6	B6	B7	B7	B7	B8	B8	B8	B9	B9
Rated insulation voltage U_i (V)	1000	1000	1000	1000	1000	1000	1000	1000	1000	1000
Rated impulse withstand voltage U_{imp} (kV)	12	12	12	12	12	12	12	12	12	12

Rated operational currents I_e (A)

Rated voltage	Utilisation category	A/B ⁽¹⁾	A/B ⁽¹⁾	A/B ⁽¹⁾	A/B ⁽¹⁾	A/B ⁽¹⁾	A/B ⁽¹⁾	A/B ⁽¹⁾	A/B ⁽¹⁾	A/B ⁽¹⁾	A/B ⁽¹⁾
415 VAC	AC-20 A / AC-20 B	1000 / 1000	1250 / 1250	1250 / 1250	1600 / 1600	1800 / 1800	2000 / 2000	2500 / 2500	3200 / 3200	4000 / 4000	5000 / 5000
415 VAC	AC-21 A / AC-21 B	1000 / 1000	1250 / 1250	1250 / 1250	1600 / 1600	1800 / 1800	2000 / 2000	2500 / 2500	3200 / 3200	4000 / 4000	5000 / 5000
415 VAC	AC-22 A / AC-22 B	1000 / 1000	1250 / 1250	1250 / 1250	1600 / 1600	1800 / 1800	2000 / 2000	2500 / 2500	2500 / 3200	2500 / 3200	2500 / 3200
415 VAC	AC-23 A / AC-23 B	1000 / 1000	1250 / 1250	1250 / 1250	1250 / 1250	1250 / 1250	1600 / 1600	1600 / 1600	1600 / 1600	1800 / 2000	1800 / 2000
220 VDC	DC-20 A / DC-20 B	1000 / 1000	1250 / 1250	1250 / 1250	1600 / 1600	1800 / 1800	2000 / 2000	2500 / 2500	3200 / 3200	4000 / 4000	5000 / 5000
220 VDC	DC-21 A / DC-21 B	1000 / 1000	1250 / 1250	1250 / 1250	1250 / 1600	1250 / 1600	2000 / 2000	2000 / 2500	2000 / 2500	2500 / 3200	2500 / 3200
220 VDC	DC-22 A / DC-22 B	1000 / 1000	1250 / 1250	1250 / 1250	1250 / 1250	1250 / 1250	1250 / 1600	1250 / 1600	1250 / 1600	1800 / 2000	1800 / 2000
220 VDC	DC-23 A / DC-23 B	1000 / 1000	1250 / 1250	1250 / 1250	1250 / 1250	1250 / 1250	1250 / 1250	1250 / 1250	1250 / 1250	1250 / 1600	1250 / 1600
440 VDC	DC-20 A / DC-20 B	1000 / 1000	1250 / 1250	1250 / 1250	1600 / 1600	1800 / 1800	2000 / 2000	2500 / 2500	3200 / 3200	4000 / 4000	5000 / 5000
440 VDC	DC-21 A / DC-21 B	1000 ⁽⁴⁾ / 1000 ⁽⁴⁾	1250 ⁽⁴⁾ / 1250 ⁽⁴⁾	1250 ⁽⁴⁾ / 1250 ⁽⁴⁾	1250 ⁽⁴⁾ / 1600 ⁽⁴⁾	1250 ⁽⁴⁾ / 1600 ⁽⁴⁾	2000 ⁽⁴⁾ / 2000 ⁽⁴⁾	2000 ⁽⁴⁾ / 2500 ⁽⁴⁾	2500 ⁽⁴⁾ / 3200 ⁽⁴⁾	3200 ⁽⁴⁾ / 4000 ⁽⁴⁾	3200 ⁽⁴⁾ / 5000 ⁽⁴⁾
440 VDC	DC-22 A / DC-22 B	1000 ⁽⁴⁾ / 1000 ⁽⁴⁾	1250 ⁽⁴⁾ / 1250 ⁽⁴⁾	1250 ⁽⁴⁾ / 1250 ⁽⁴⁾	1250 ⁽⁴⁾ / 1250 ⁽⁴⁾	1250 ⁽⁴⁾ / 1250 ⁽⁴⁾	1250 ⁽⁴⁾ / 1250 ⁽⁴⁾	1250 ⁽⁴⁾ / 1250 ⁽⁴⁾	1250 ⁽⁴⁾ / 1250 ⁽⁴⁾	1600 ⁽⁴⁾ / 1800 ⁽⁴⁾	1600 ⁽⁴⁾ / 1800 ⁽⁴⁾
440 VDC	DC-23 A / DC-23 B	1000 ⁽⁴⁾ / 1000 ⁽⁴⁾	1250 ⁽⁴⁾ / 1250 ⁽⁴⁾	1250 ⁽⁴⁾ / 1250 ⁽⁴⁾	1250 ⁽⁴⁾ / 1250 ⁽⁴⁾	1250 ⁽⁴⁾ / 1250 ⁽⁴⁾	1250 ⁽⁴⁾ / 1250 ⁽⁴⁾	1250 ⁽⁴⁾ / 1250 ⁽⁴⁾	1250 ⁽⁴⁾ / 1250 ⁽⁴⁾	1250 ⁽⁴⁾ / 1250 ⁽⁴⁾	1250 ⁽⁴⁾ / 1250 ⁽⁴⁾
500 VDC	DC-20 A / DC-20 B	1000 / 1000	1250 / 1250	1250 / 1250	1600 / 1600	1800 / 1800	2000 / 2000	2500 / 2500	3250 / 3250	4000 / 4000	5000 / 5000
500 VDC	DC-21 A / DC-21 B	1000 ⁽⁴⁾ / 1000 ⁽⁴⁾	1250 ⁽⁴⁾ / 1250 ⁽⁴⁾	1250 ⁽⁴⁾ / 1250 ⁽⁴⁾	1250 ⁽⁴⁾ / 1600 ⁽⁴⁾	1250 ⁽⁴⁾ / 1600 ⁽⁴⁾	1250 ⁽⁴⁾ / 1250 ⁽⁴⁾	1250 ⁽⁴⁾ / 1250 ⁽⁴⁾	1250 ⁽⁴⁾ / 1250 ⁽⁴⁾	1600 ⁽⁴⁾ / 1800 ⁽⁴⁾	1600 ⁽⁴⁾ / 1800 ⁽⁴⁾
500 VDC	DC-22 A / DC-22 B	1000 ⁽⁴⁾ / 1000 ⁽⁴⁾	1250 ⁽⁴⁾ / 1250 ⁽⁴⁾	1250 ⁽⁴⁾ / 1250 ⁽⁴⁾	1250 ⁽⁴⁾ / 1250 ⁽⁴⁾	1250 ⁽⁴⁾ / 1250 ⁽⁴⁾	1250 ⁽⁴⁾ / 1250 ⁽⁴⁾	1250 ⁽⁴⁾ / 1250 ⁽⁴⁾	1250 ⁽⁴⁾ / 1250 ⁽⁴⁾	1250 ⁽⁴⁾ / 1600 ⁽⁴⁾	1250 ⁽⁴⁾ / 1600 ⁽⁴⁾
500 VDC	DC-23 A / DC-23 B	1000 ⁽⁴⁾ / 1000 ⁽⁴⁾	1250 ⁽⁴⁾ / 1250 ⁽⁴⁾	1250 ⁽⁴⁾ / 1250 ⁽⁴⁾	1250 ⁽⁴⁾ / 1250 ⁽⁴⁾	1250 ⁽⁴⁾ / 1250 ⁽⁴⁾	1000 ⁽⁴⁾ / 1000 ⁽⁴⁾	1000 ⁽⁴⁾ / 1000 ⁽⁴⁾	1000 ⁽⁴⁾ / 1000 ⁽⁴⁾	1000 ⁽⁴⁾ / 1000 ⁽⁴⁾	1000 ⁽⁴⁾ / 1000 ⁽⁴⁾

Operational power in AC-23 (kW)⁽¹⁾⁽⁵⁾

At 415 VAC without AC pre-break ⁽¹⁾	560 / 560	710 / 710	710 / 710	710 / 710	710 / 710	710 / 710	710 / 710	710 / 710	710 / 710	710 / 710	710 / 710
--	-----------	-----------	-----------	-----------	-----------	-----------	-----------	-----------	-----------	-----------	-----------

Reactive power (kvar)

At 400 VAC (kvar) ⁽⁵⁾	460										
----------------------------------	-----	--	--	--	--	--	--	--	--	--	--

gG DIN fuse protected short-circuit withstand (kA rms prospective)⁽⁶⁾

Prospective short-circuit current (kA rms)	100	100	100	100	100	100	100				
Associated fuse rating (A)	1000	1250	1250	2 x 800	2 x 800	2 x 1000	2 x 1250				

Circuit breaker protected short-circuit withstand with any circuit breaker that ensures tripping in less than 0.3s

Rated short-time withstand current 0.3s. I_{cw} (kA rms)	65	65	100	100	100	100	100	100			
--	----	----	-----	-----	-----	-----	-----	-----	--	--	--

Short-circuit operation (switch only)

Rated short-time withstand current I_{cw} 1s (kA rms)	35	35	50	50	50	50	50	50	75	75	
Rated peak withstand current in I_{cc} (kA peak) ⁽⁶⁾⁽⁷⁾	80	80	110	110	110	110	110	110	120	165	165

Connection

Minimum Cu cable cross-section (mm ²)	2 x 240										
Minimum Cu busbar cross-section (mm ²)	2 x 50 x 5	2 x 60 x 5	2 x 60 x 5	2 x 80 x 5	3 x 100 x 5	3 x 100 x 5	4 x 100 x 5	4 x 100 x 5	2 x 200 x 10	2 x 200 x 10	
Maximum Cu cable cross-section (mm ²)	4 x 185	4 x 185	4 x 185	6 x 185	6 x 185						
Maximum Cu busbar width (mm)	63	63	100	100	100	100	100	100			
Tightening torque min/max (Nm)	40/45	40/45	40/45	40/45	40/45	40/45	40/45	40/-	40/-	40/-	40/-

Mechanical characteristics

Durability (number of operating cycles)	3000	3000	4000	4000	4000	3000	3000	3000	2000	2000	
Operating effort (Nm)	37	37	56	56	56	75	75	75	105	105	
Weight of a 3-pole device (kg)	8	8	12	12	12	22	22	22	45	45	
Weight of a 4-pole device (kg)	10	10	15	15	15	25	25	25	50	50	

(1) Category with index A = frequent operation - Category with index B = infrequent operation.

(2) With terminal shrouds or phase barrier.

(3) 3-pole device with 2 poles in series for the '+' and 1 pole for the '-'.

(4) 4-pole device with 2 poles in series per polarity.

(5) The power value is given for information only, the current values vary from one manufacturer to another.

(6) For a rated operational voltage $U_o = 415$ VAC.

(7) Coordination tables with circuit breaker: please consult us.

Verify the certification of your product: page 130.

SIRCO AC characteristics according to IEC 60947-3

200 to 630 A

Thermal current I_{th} at 40°C	200 A	250 A	315 A	400 A	500 A	CD 630 A	630 A
Rated insulation voltage U_i (V)	1000	1000	1000	1000	1000	1000	1000
Rated impulse withstand voltage U_{imp} (kV)	12	12	12	12	12	12	12
Rated operational currents I_e (A)							
Rated voltage	Utilisation category	A/B ⁽¹⁾	A/B ⁽¹⁾	A/B ⁽¹⁾	A/B ⁽¹⁾	A/B ⁽¹⁾	A/B ⁽¹⁾
500 VAC	AC-20 A / AC-20 B	200/200	250/250	315/315	400/400	500/500	630/630
500 VAC	AC-21 A / AC-21 B	200/200	250/250	315/315	400/400	500/500	630/630
500 VAC	AC-22 A / AC-22 B	200/200	250/250	315/315	400/400	500/500	630/630
500 VAC	AC-23 A / AC-23 B	200/200	250/250	315/315	400/400	500/500	630/630
690 VAC	AC-20 A / AC-20 B	200/200	250/250	315/315	400/400	500/500	630/630
690 VAC	AC-21 A / AC-21 B	200/200	250/250	315/315	400 ⁽²⁾ /400 ⁽²⁾	500 ⁽²⁾ /500 ⁽²⁾	630 ⁽²⁾ /630 ⁽²⁾
690 VAC	AC-22 A / AC-22 B	200/200	250/250	315/315	400 ⁽²⁾ /400 ⁽²⁾	500 ⁽²⁾ /500 ⁽²⁾	630 ⁽²⁾ /630 ⁽²⁾
690 VAC	AC-23 A / AC-23 B	200/200	250/250	315/315	400 ⁽²⁾ /400 ⁽²⁾	500 ⁽²⁾ /500 ⁽²⁾	630 ⁽²⁾ /630 ⁽²⁾
Operational power in AC-23 A (kW) ⁽³⁾							
At 690 VAC without pre-break AC	160	220	250	400	500	500	630
Reactive power (kvar)							
At 690 VAC (kvar)	160	190	250	325	400	400	450
Fuse protected short-circuit withstand (kA rms prospective) at 690 VAC ⁽⁴⁾							
Prospective short-circuit current (kA rms)	50	50	50	50	50	50	50
Associated fuse rating (A)	200	250	315	400	500	630	630
Circuit breaker protected short-circuit withstand with any circuit breaker that ensures tripping in less than 0.3s at 690 VAC							
Rated short-time withstand current 0.3s. I_{cw} (kA rms)	15	15	15	15	15	15	28
Short-circuit capacity (without protection)							
Rated short-time withstand current 1s. I_{cw} (kA rms)	8	8	8	11	11	11	20
Rated short-circuit making capacity without fuses I_{cm} (kA peak)	22	22	22	22	22	22	40
Connection							
Maximum Cu cable cross-section (mm ²)	70	70	70	185	240	2 x 150	2 x 185
Minimum Cu busbar cross-section (mm ²)						2 x 30 x 5	2 x 40 x 5
Maximum Cu cable cross-section (mm ²)	95	95	95	240	240	2 x 300	2 x 300
Maximum Cu busbar width (mm)	32	32	32	40	40	63	63
Tightening torque min/max (Nm)	20/-	20/-	20/-	20/-	20/-	20/-	40/45
Mechanical characteristics							
Durability (number of operating cycles)	10000	10000	10000	5000	5000	5000	4000
Operating effort (Nm)	10	10	10	14.5	14.5	14.5	48
Weight of a 3 pole device (kg)	2	2	2	3.5	3.5	3.5	8
Weight of a 4 pole device (kg)	2	2	2	4	4	4	10

(1) Category with index A = frequent operation - Category with index B = infrequent operation.

(2) With terminal shrouds or phase barrier.

(3) The power value is given for information only, the current values vary from one manufacturer to another.

(4) For a rated operational voltage $U_n = 690$ VAC.

SIRCO AC characteristics according to IEC 60947-3

800 to 4000 A

Thermal current I_{th} at 40°C	800 A	1000A	CD 1250 A	1250 A	1600 A	2000 A	4000 A
Rated insulation voltage U_i (V)	1000	1000	1000	1000	1000	1000	1000
Rated impulse withstand voltage U_{imp} (kV)	12	12	12	12	12	12	12
Rated operational currents I_e (A)							
Rated voltage	Utilisation category	A/B ⁽¹⁾	A/B ⁽¹⁾	A/B ⁽¹⁾	A/B ⁽¹⁾	A/B ⁽¹⁾	A/B ⁽¹⁾
500 VAC	AC-20 A / AC-20 B	800/800	1000/1000	1250/1250	1250/1250	1600/1600	2000/2000
500 VAC	AC-21 A / AC-21 B	800/800	1000/1000	1250/1250	1250/1250	1600/1600	2000/2000
500 VAC	AC-22 A / AC-22 B	800/800	1000/1000	1250/1250	1250/1250	1600/1600	2000/2000
500 VAC	AC-23 A / AC-23 B	800/800	1000/1000	1250/1250	1250/1250	1600/1600	2000/2000
690 VAC	AC-20 A / AC-20 B	800/800	1000/1000	1250/1250	1250/1250	1600/1600	2000/2000
690 VAC	AC-21 A / AC-21 B	800/800	1000/1000	1250/1250	1250/1250	1600/1600	2000/2000
690 VAC	AC-22 A / AC-22 B	800/800	1000/1000	1250/1250	1250/1250	1600/1600	2000/2000
690 VAC	AC-23 A / AC-23 B	800/800	1000/1000	1250/1250	1250/1250	1600/1600	2000/2000
Operational power in AC-23 A (kW) ⁽³⁾							
At 690 VAC without pre-break AC	900	900	-	-	-	-	-
Reactive power (kvar)							
At 690 VAC (kvar)	550	750	950	950	-	-	-
Fuse protected short-circuit withstand (kA rms prospective) at 690 VAC⁽⁴⁾							
Prospective short-circuit current (kA rms)	50	50	50	50	50	-	-
Associated fuse rating (A)	800	800	2 x 500	1250	2 x 800	-	-
Circuit breaker protected short-circuit withstand with any circuit breaker that ensures tripping in less than 0.3s at 690 VAC							
Rated short-time withstand current 0.3s. I_{cw} (kA rms)	28	55	55	53	53	53	53
Short-circuit capacity (without protection) at 690 VDC							
Rated short-time withstand current 1s. I_{cw} (kA rms)	20	30	30	35	35	35	35
Rated short-circuit making capacity without fuses I_{cm} (prospective kA peak)	40	80	80	75	75	75	75
Connection							
Maximum Cu cable cross-section (mm ²)	2 x 185	2 x 240					
Minimum Cu busbar cross-section (mm ²)	2 x 40 x 5	2 x 50 x 5	2 x 60 x 5	2 x 60 x 5	2 x 80 x 5	3 x 100 x 5	1 x 100 x 5
Maximum Cu cable cross-section (mm ²)	2 x 300	4 x 185	4 x 185	4 x 185	6 x 185		
Maximum Cu busbar width (mm)	63	63	63	100	100	100	
Tightening torque min/max (Nm)	40/45	40/45	40/45	40	40	40	40
Mechanical characteristics							
Durability (number of operating cycles)	4000	4000	3000	4000	4000	3000	2000
Operating effort (Nm)	48	48	48	55	55	75	100
Weight of a 3 pole device (kg)	8	8	8	12	12	22	45
Weight of a 4 pole device (kg)	10	10	10	15	15	25	50

(1) Category with index A = frequent operation - Category with index B = infrequent operation.

(2) With terminal shrouds or phase barrier.

(3) The power value is given for information only, the current values vary from one manufacturer to another.

(6) For a rated operational voltage $U_e = 690$ VAC.

SIRCO

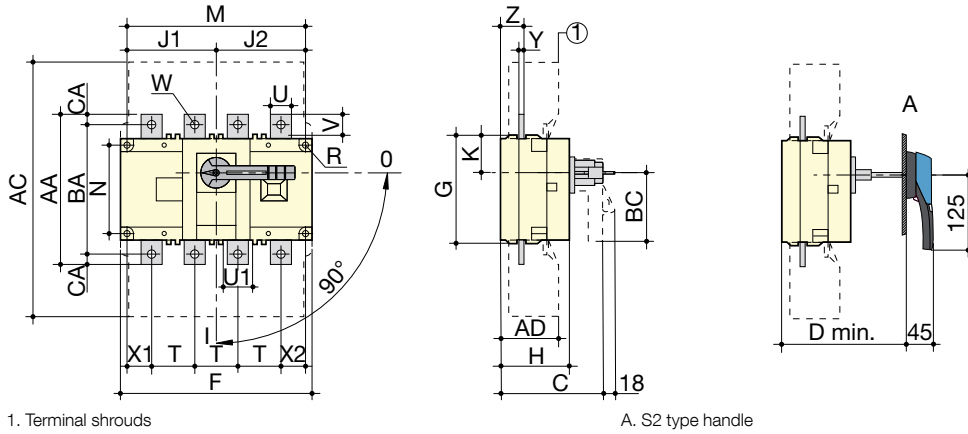
Load break switches for power distribution
from 125 to 5000 A

Dimensions - Front operation

SIRCO 125 to 630 A and SIRCO AC 200 to CD 630 A - B3 to B5

Direct front operation

External front operation



1. Terminal shrouds

A. S2 type handle

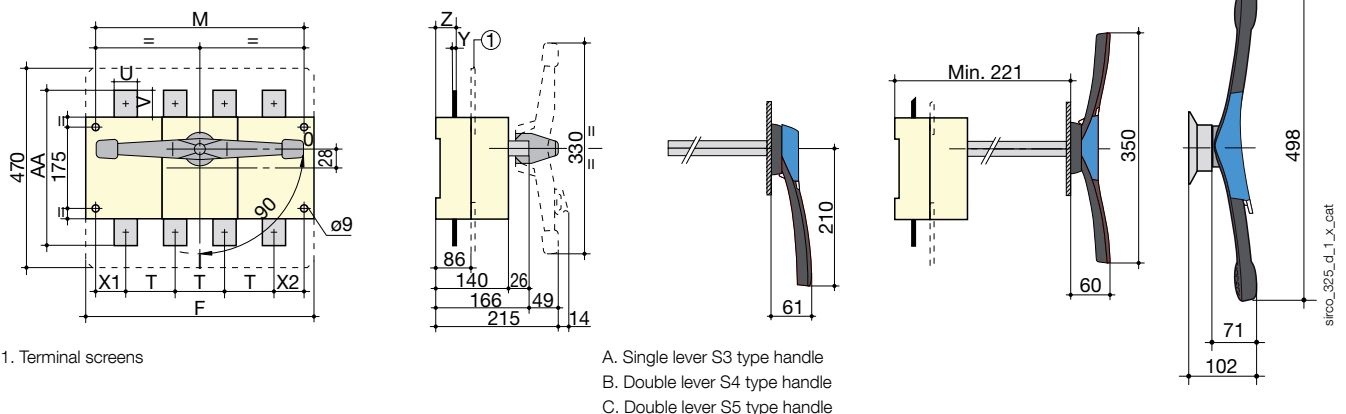
sirco_198_L1_x_cat

Rating (A) / Frame size		Overall dimensions		Terminal shrouds		Switch body							Switch mounting				Connection															
SIRCO	SIRCO AC	C	D min	AC	AD	F 3p.	F 4p.	G	H	J1 3p.	J1 4p.	J2	K	BC	M 3p.	M 4p.	N	R	T	U	U1	V	W	X1 3p.	X1 4p.	X2	Y	Z	AA	BA	CA	
125...160/ B3		115	125	235	50	140	170	93	65	45	75	75	31.5	80	120	150	65	5.5	36	20	20.5	25	9	28	22	20	3.5	20.5	135	115	10	
200...250 / B4	200...250 / B4			280	60	180	230	108	75	55	105	105	34	115	160	210	80	5.5	50		20	25.5	21.5	11	33	33	27	3.5	22.5	160	130	15
315...400/ B5	400...500 / B5	160	165	401	89	230	290	170	110	75	135	135	55	115	210	270	140	7	65	32	45.5	29	11	42.5	37.5	37.5	5	36	235	205	15	
500 / B5	-																															
630 / B5	CD 630 / B5																					45		41.5	13						260	220

SIRCO 800 to 1800 A and SIRCO AC 630 to 1600 A - B6 to B7

Direct front operation

External front operation



1. Terminal screens

A. Single lever S3 type handle
B. Double lever S4 type handle
C. Double lever S5 type handle

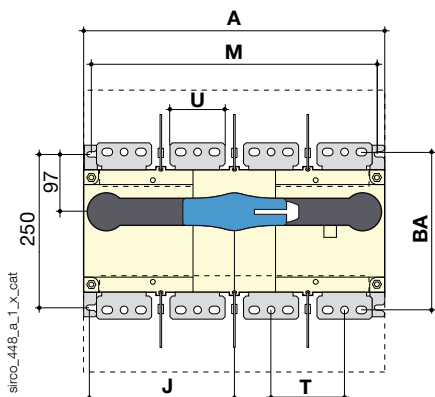
sirco_325_d_1_x_cat

Rating (A) / Frame size		Switch body		Switch mounting		Connection									
SIRCO	SIRCO AC	F 3p.	F 4p.	M 3p.	M 4p.	T	U	V	Y	X1	X2	Z	AA		
800 ... 1000 / B6	630 ... 1000 / B6	280	360	255	335	80	50	60.5	7	47.5	47.5	46.5	321		
CD 1250 / B6	CD 1250 / B6						60	65					330		
1250 ... 1800 / B7	1250 ... 1600 / B7	372	492	347	467	120	90	44	8	53.5	53.5	47.5	288		

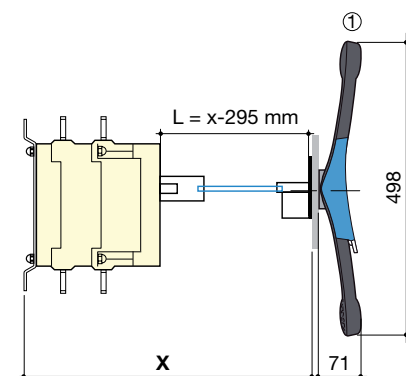
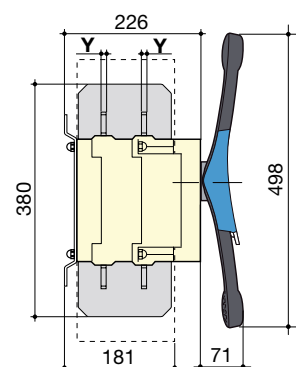
Verify the certification of your product: page 130.

SIRCO 2000 to 3200 A and SIRCO AC 2000 A - B8

Direct front operation



External front operation

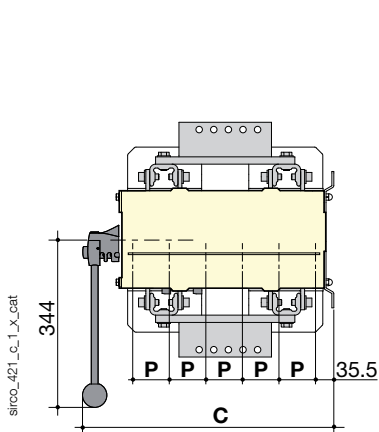


1. Double lever S5 type handle

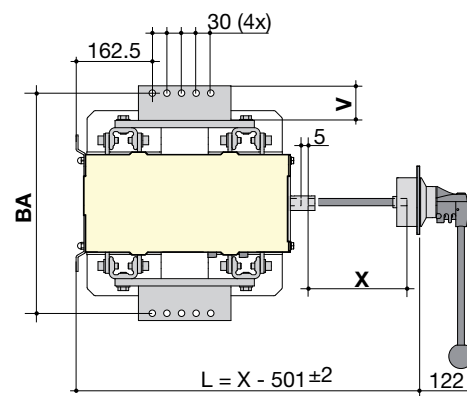
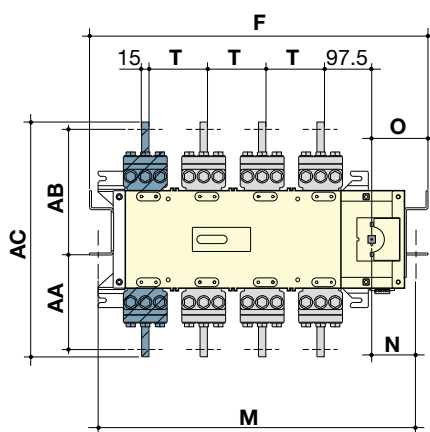
Rating (A) / Frame size		Overall dimensions		Switch body		Switch mounting		Connection			
SIRCO	SIRCO AC	A 3p.	A 4p.	J 3p.	J 4p.	M 3p.	M 4p.	T	U	Y	BA
2000 ... 3200 / B8	2000 / B8	372	492	173.5	233.5	347	367	120	90	8	258

SIRCO 4000 to 5000 A and SIRCO AC 4000 A - B9

Direct front operation



External front operation



Rating (A) / Frame size		Overall dimensions	Switch body		Switch mounting					Connection					
SIRCO	SIRCO AC	C	F 3p.	F 4p.	M 3p.	M 4p.	N	O	P	T	V	AA	AB	AC	BA
4000 ... 5000 / B9	4000 / B9	514	695	695	660	660	98	115.5	75	120	86	160	292	482	452

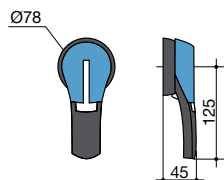
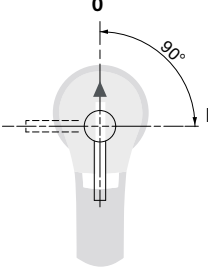
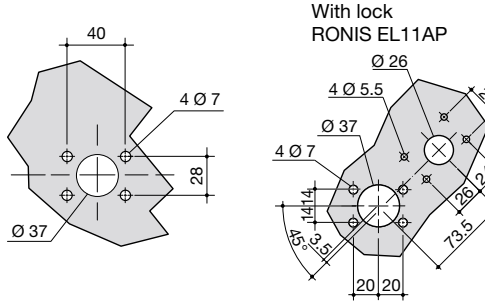
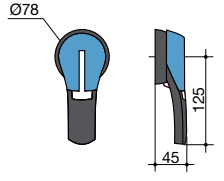
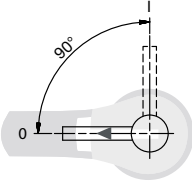
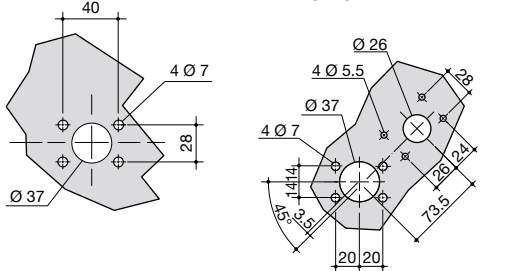
Verify the certification of your product: page 130.

SIRCO

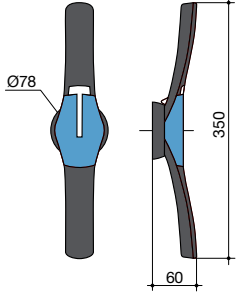
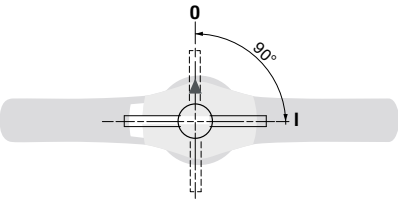
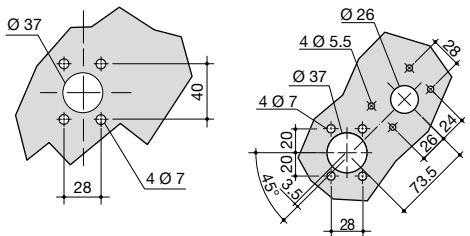
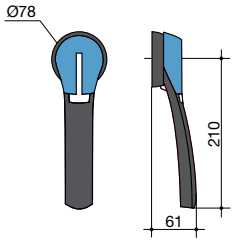
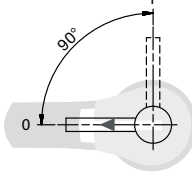
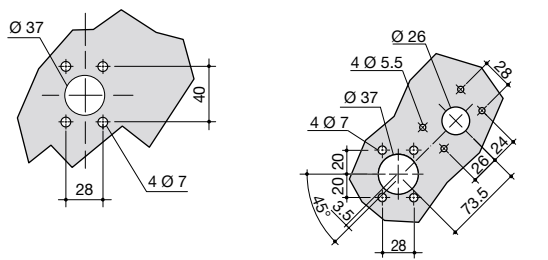
Load break switches for power distribution
from 125 to 5000 A

Dimensions for external handles

B3 to B5

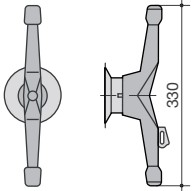
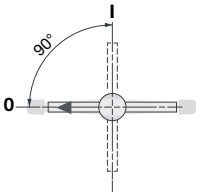
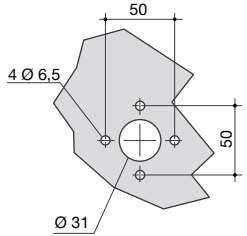
Handle type	Front operation Direction of operation	Door drilling
S2 type 		
S2 type 	Side operation Right side operation 	

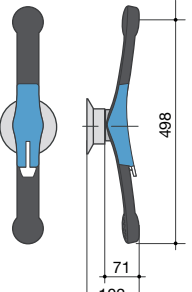
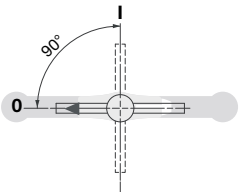
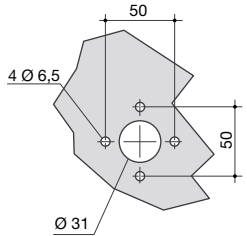
B6 and B7

Handle type	Front operation Direction of operation	Door drilling
S4 type 		
S3 type 	Side operation Right side operation 	

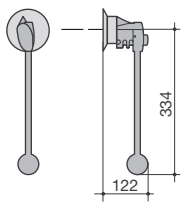
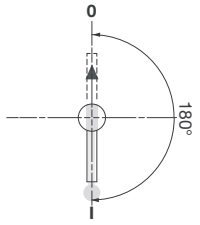
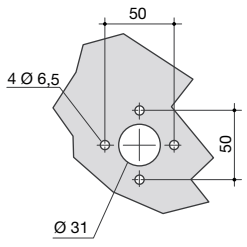
Verify the certification of your product: page 130.

B7 and B8

Handle type	Front operation Direction of operation	Door drilling
<p>V2 Type</p>  <p>poign_065_a_1_gb_cat</p>		

Handle type	Front operation Direction of operation	Door drilling
<p>S5 type with V Escutcheon</p>  <p>poign_020_a_1_gb_cat</p>		

B9

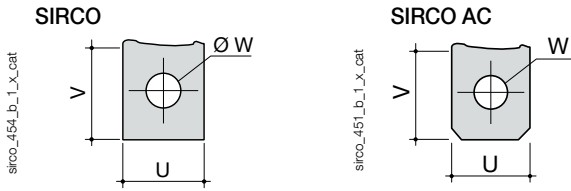
Handle type	Front operation Direction of operation	Door drilling
<p>V0 type</p>  <p>poign_009_a_1_gb_cat</p>		

SIRCO

Load break switches for power distribution
from 125 to 5000 A

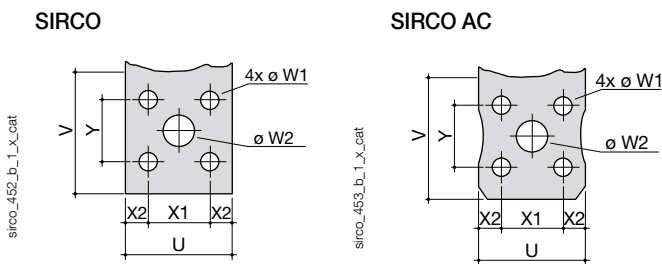
Connection terminal

SIRCO 125 to 630 A and SIRCO AC 200 to CD 630 A



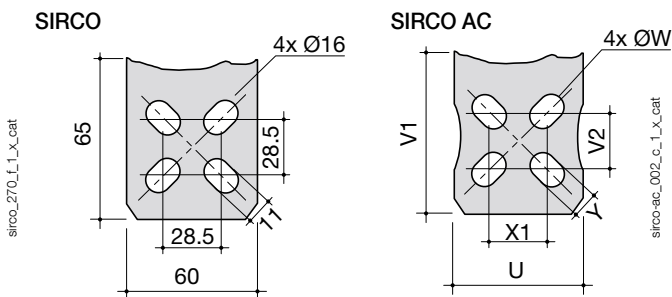
Rating (A)				
SIRCO	SIRCO AC	U	V	W
125 ... 160		20	25	9
200 ... 250	200 ... 250	25	21.5	11
	315	35		
315 ... 400	400 ... 500	32	29	13
500		45	41.5	
630	CD 630			

SIRCO 800 to 1000 A and SIRCO AC 630 to 1000 A



Rating (A)									
SIRCO	SIRCO AC	U	V	W1	W2	X1	X2	Y	
800 ... 1000	630 ... 1000	50	60.5	9	15	33	8.5	33	

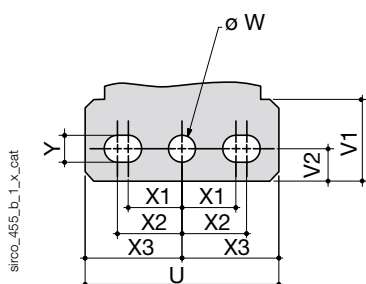
SIRCO and SIRCO AC CD 1250 A



Rating (A)								
SIRCO	SIRCO AC	U	V1	V2	W	X1	Y	
CD 1250 A	CD 1250 A	60	65	28.5	16	28.5	11	

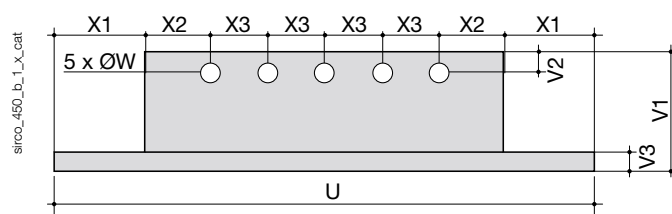
Verify the certification of your product: page 130.

SIRCO 1250 to 3200 A and SIRCO AC 1250 to 1600 A



Rating (A)		U	V1	V2	W	X1	X2	X3	Y
SIRCO	SIRCO AC								
1250 ... 3200	1250 ... 1600	90	35.8	15	12.5	25	30	45	12.5

SIRCO 4000 to 5000 A and SIRCO AC 4000 A



Rating (A)		U	W	X1	X2	X3	V1	V2	V3
SIRCO	SIRCO AC								
4000 ... 5000	4000	286	13	48	35	30	86	15	15



FUSERBLOC

Fuse combination switches
for industrial fuses up to 1250 A

Fuse protection



The solution for

- > Motor load break
- > Protection of industrial processes



Strong points

- > Improved safety
- > High breaking capacity
- > Specific functionalities for simplified use

A complete range

- > Centred or left side operation, rear connections, plug-in connections. Please consult us.

Conformity to standards

- > IEC 60947-3
- > EN 60947-3
- > BS EN 60947-3
- > NBN EN 60947-3
- > IEC 60269-1
- > DIN EN 60269-1
- > NF EN 60269-1
- > IEC 60269-2
- > VDE 0636-1
- > VDE 0660-107
- > Standards UL: see FUSERBLOC UL



Function

FUSERBLOC are manually operated multipolar fuse combination switches. They make and break on load and provide safety isolation and protection against overcurrent for any low voltage electrical circuit.

Advantages

Improved safety

- Complete isolation of the fuse with double breaking per pole (top and bottom of fuse).
- Positive break indication.
- IP2X protection with terminal shrouds front panel.

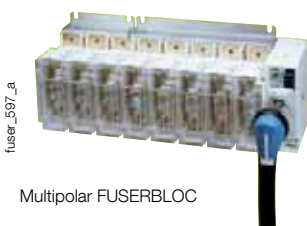
High breaking capacity

Protection against overloads and short-circuits thanks to high breaking capacity fuses (100 kA rms).

Specific functionalities for simplified use

- TEST position for testing control circuits without energising the power poles using U-type auxiliary contacts. In TEST position, the enclosure door can be opened.
- Mechanical or electronic fuse melting detection system (see DDMM or FMD page 48).

Customised solutions



Verify the certification of your product: page 130.

Approvals and certifications⁽¹⁾



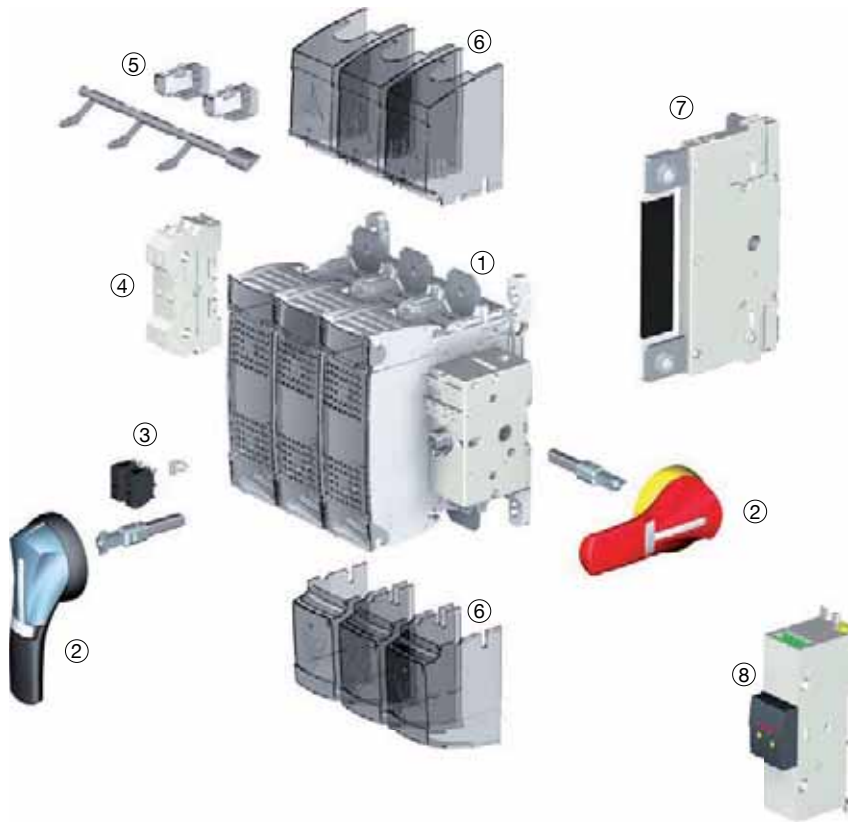
LOVAG



⁽¹⁾ Product reference on request.

What you need to know

- In addition to the FUSERBLOC rating, product selection also depends on the fuse characteristics and functional specifications, which need to be in accordance with the application. SOCOMEC FUSERBLOC are available for utilisation with **NFC, DIN or BS88 fuses**.



- FUSERBLOC switch fuse
- External front or side operation handle
- U type auxiliary contact (pré-break and switch position signalling)
- S and ST auxiliary equipment control and switch position signalling contacts
- Melted fuse mechanical detection and indication device (DDMM)
- Top and bottom terminal shrouds
- Integrated solid neutral link
- Electronic fuse monitoring device (FMD) detects worked fuse and provides signals to operator, PLC or supervision systems. Compatible with BS88, DIN and UL fuse types.
 - LED visual indication
 - Bi-stable relay for PLC: alarm, remote device tripping, etc.
 - TEST button: any time functional product verification
 - FUSERBLOC direct mounting, either back plate, DIN-rail or door mounting

fuser_734_a_1_x_cat.ai

- Whether it is 3 pole + switched neutral or 3 pole + solid neutral, the **FUSERBLOC 20 to 32 A with direct front operation and external operation** is the best suited solution in compact design.



fuser_705_a_1_x_cat

fuser_705_a_2_cat

- From 32 to 400 A, the FUSERBLOC is available in 2, 3 or 4 poles with **direct right side operation**.



- For ratings 20 to 400 A, the **flat mounting kit** provides a compact solution ideally suited to withdrawable applications.
- Maintenance of outputs from the DC common bus.



fuser_702_a_2_cat

Verify the certification of your product: page 130.

FUSERBLOC

Fuse combination switches

for industrial fuses up to 1250 A

References

BS 88 - External front and side operation - 20 to 160 A

Rating (A) Fuse size Frame size	Number of poles	Reference Switch I - 0 - TEST	Reference Changeover I - 0 - II	External front handle I - 0	TEST External front handle I - 0 - TEST	External right side handle I - 0	Changeover external front handle I - 0 - II	Shaft extensions for handle	Terminal shrouds ⁽³⁾	U type A/C ⁽²⁾	Integrated solid neutral link
CD 20 A A1 0	3 P	3641 3000	3680 3000					320 mm 1401 0532			
	3 P + switched neutral	3641 4000	3680 4000								
	3 P+solid neutral	3641 5000									
CD 32 A A1 0	3 P	3641 3001	3680 3001	S1 type Black IP65 1413 2111 ⁽¹⁾	S1 type Black IP65 1413 2115 ⁽¹⁾	S1 type Black IP65 1417 2111 ⁽¹⁾	S1 type Black IP65 1413 2113 ⁽¹⁾		IP2x as standard		
	3 P + switched neutral	3641 4001	3680 4001								
	3 P + solid neutral	3641 5001									
32 A A1 11	2 P	3841 2003		Red/Yellow IP65 1414 2111	Red/Yellow IP65 1414 2115	Red/Yellow IP65 1418 2111	Red/Yellow IP65 1414 2113				
	3 P	3841 3003	3880 3003								
	4 P	3841 6003	3880 6003								
63 A A2-A3 12	2 P	3841 2006								1 contact NO 3999 0701	3829 9310
	3 P	3841 3006	3880 3006								
	4 P	3841 6006	3880 6006								
100 A A4 ⁽⁴⁾ 13	2 P	3841 2010						320 mm 1400 1032		1 contact NC 3999 0702	
	3 P	3841 3010	3880 3010								
	4 P	3841 6010	3880 6010								
CD 160 A A3-A4 ⁽⁴⁾ 13 A	2 P	3841 2014		S2 type Black IP65 1423 2111 ⁽¹⁾	S2 type Black IP65 1423 2115 ⁽¹⁾	S2 type Black IP65 1427 2111 ⁽¹⁾	S2 type Black IP65 1421 2113 ⁽¹⁾		2 P 3998 2016 3 P 3998 3016 4 P 3998 4016		
	3 P	3841 3014	3880 3014								
	4 P	3841 6014	3880 6014								
160 A A4 14	2 P	3841 2015		Red/Yellow IP65 1424 2111	Red/Yellow IP65 1424 2115	Red/Yellow IP65 1428 2111	Red/Yellow IP65 1424 2113				3829 9320
	3 P	3841 3015	3880 3015								
	4 P	3841 6015	3880 6015								
160 A B1-B2 14	2 P	3841 2016									
	3 P	3841 3016	3880 3016								
	4 P	3841 6016	3880 6016								

(1) Standard.

(2) 4 auxiliary contacts as standard without additional contact holder.

(3) Top/bottom.

(4) For fuse size A4: max diameter 31 mm.

Verify the certification of your product: page 130.

BS 88 - External front and side operation - 200 to 1250 A

Rating (A) Fuse size Frame size	Number of poles	Reference Switch I - 0 - TEST	Reference Changeover I - 0 - II	External front handle I - 0	TEST External front handle I - 0 - TEST	External right side handle I - 0	Changeover external front handle I - 0 - II	Shaft extensions for handle	Terminal shrouds ⁽³⁾	U type A/C ⁽²⁾	Integrated solid neutral link		
CD 200 A A3-A4 (5) 13 A	2 P	3841 2019							2 P 3998 2016		3829 9320		
	3 P	3841 3019	3880 3019						3 P 3998 3016				
	4 P	3841 6019	3880 6019						4 P 3998 4016				
200 A B1-B2 15	2 P	3841 2021		S2 type	S2 type	S2 type	S2 type	320 mm 1400 1032	2 P 3998 2025		3829 9325		
	3 P	3841 3021	3880 3021						3 P 3998 3025				
	4 P	3841 6021	3880 6021						4 P 3998 4025				
250 A B1-B2-B3 15	2 P	3841 2024		Black IP65	Black IP65	Black IP65	Black IP65						
	3 P	3841 3024	3880 3024	1423 2111 ⁽¹⁾	1423 2115 ⁽¹⁾	1425 2111 ⁽¹⁾	1422 2113 ⁽¹⁾						
	4 P	3841 6024	3880 6024	Red/Yellow IP65	Red/Yellow IP65	Red/Yellow IP65	Red/Yellow IP65						
315 A B1-B2-B3 16	2 P	3841 2031		Red/Yellow IP65	Red/Yellow IP65	Red/Yellow IP65	Red/Yellow IP65				3829 9339		
	3 P	3841 3031	3880 3032 ⁽⁶⁾									2 P 3898 2040	1 contact NO 3999 0701
	4 P	3841 6031	3880 6032 ⁽⁶⁾									3 P 3898 3040	1 contact NC 3999 0702
400 A B1-B2- B3-B4 16	2 P	3841 2038											
	3 P	3841 3038										4 P 3898 4040	
	4 P	3841 6038											
630 A C1-C2 17	2 P	3821 2063		S3 type							3829 9308		
	3 P	3821 3063										2 P 3898 2080	
	4 P	3821 6063										3 P 3898 3080	
800 A C1-C2-C3 17	2 P	3821 2080		Red/Yellow IP65			S3 type	320 mm 1400 1232			3829 9312		
	3 P	3821 3080										4 P 3898 4080	
	4 P	3821 6080										Black IP65 1437 3111 ⁽¹⁾	
1250 A D1 18	2 P	3821 2120		S4 type									
	3 P	3821 3120		Black IP65								Red/Yellow IP65 1438 3111	3898 2120
	4 P	3821 6120		1443 3111 ⁽¹⁾								3898 3120	3898 4120

(1) Standard.

(2) 4 auxiliary contacts as standard without additional contact holder.

(3) Top/bottom.

(4) 8 AC as standard without support (the support is for 8 additional auxiliary contacts).

(5) For fuse size A4: max diameter 31 mm.

(6) Terminal shrouds: 3 P - 3998 3025, 4 P - 3998 4025.

Verify the certification of your product: page 130.

FUSERBLOC

Fuse combination switches

for industrial fuses up to 1250 A

References (continued)

BS 88 - Direct operation - 20 to 160 A

Rating (A) Fuse size Frame size	Number of poles	Reference Side direct operation	Reference Direct front operation	Side direct handle	Direct front handle	Auxiliary contacts	Terminal shrouds ⁽³⁾	Cage terminals	Handle key interlocking accessories ⁽²⁾						
CD 20 A A1 0	3 P		3641 3000	Black 3629 4012	Black 3629 4012	1 contact NO/NC A-type 3999 0001 ⁽¹⁾	IP2x as standard	Standard							
	3 P + switched neutral		3641 4000												
	3 P + solid neutral		3641 5000												
CD 32 A A1 0	3 P		3641 3001			2 contacts NO/NC A-type 3999 0002 ⁽¹⁾									
	3 P + switched neutral		3641 4001												
	3 P + solid neutral		3641 5001												
32 A A1 1	2 P	3625 2003	consult us	Black 3629 7900					3629 7903						
	3 P	3625 3003	consult us												
	4 P	3625 6003	consult us												
63 A A2-A3 2	2 P	3625 2006	consult us							Black 3629 7901					3629 7913
	3 P	3625 3006	consult us												
	4 P	3625 6006	consult us												
100 A A4 ⁽⁴⁾ 3	2 P	3625 2010	consult us	1 contact NO/NC A-type 3999 0021 ⁽¹⁾											
	3 P	3625 3010	consult us												
	4 P	3625 6010	consult us												
CD 160 A A3-A4 ⁽⁴⁾ 3 A	2 P	3625 2014	consult us	2 contacts NO/NC A-type 3999 0022 ⁽¹⁾	2 P 3998 2016 3 P 5400 3016 3998 3016 4 P 3998 4016	3 P 5400 3016 4 P 5400 4016									
	3 P	3625 3014	consult us												
	4 P	3625 6014	consult us												
160 A A4 4	2 P	3625 2015	consult us												
	3 P	3625 3015	consult us												
	4 P	3625 6015	consult us												
160 A B1-B2 4	2 P	3625 2016	consult us												
	3 P	3625 3016	consult us												
	4 P	3625 6016	consult us												

(1) Max. 2 contacts.

(2) Lock not included.

(3) Top/bottom.

(4) For fuse size A4: max diameter 31 mm.

Verify the certification of your product: page 130.

BS 88 - Direct operation - 200 to 400 A

Rating (A) Fuse size Frame size	Number of poles	Reference Side direct operation	Reference Direct front operation	Side direct handle	Direct front handle	Auxiliary contacts	Terminal shrouds ⁽³⁾	Cage terminals	Handle key interlocking accessories ⁽²⁾
CD 200 A A3-A4 ⁽⁴⁾ 13 A	2 P	3625 2019	consult us	Black 3629 7901	consult us	1 contact NO/NC A-type 3999 0021 ⁽¹⁾ 2 contacts NO/NC A-type 3999 0022 ⁽¹⁾	2 P 3998 2016 3 P 3998 3016 4 P 3998 4016	3 P 5400 3016 4 P 5400 4016	3629 7913
	3 P	3625 3019	consult us						
	4 P	3625 6019	consult us						
200 A B1-B2 5	2 P	3625 2021	consult us						
	3 P	3625 3021	consult us						
	4 P	3625 6021	consult us						
250 A B1-B2-B3 5	2 P	3625 2024	consult us						
	3 P	3625 3024	consult us						
	4 P	3625 6024	consult us						
315 A B1-B2-B3 6	2 P	3625 2032	consult us						
	3 P	3625 3032	consult us						
	4 P	3625 6032	consult us						
400 A B1-B2-B3-B4 6	2 P	3625 2039	consult us						
	3 P	3625 3039	consult us						
	4 P	3625 6039	consult us						

(1) Max. 2 contacts.

(2) Lock not included.

(3) Top/bottom.

(4) For fuse size A4: max diameter 31 mm.

BS 88 - Direct operation - 630 to 1250 A

Rating (A) Fuse size Frame size	Number of poles	Reference Side direct operation	Reference Direct front operation	Side direct handle	Direct front handle	Auxiliary contacts	Terminal shrouds ⁽³⁾	Cage terminals	Handle key interlocking accessories ⁽²⁾
630 A C1-C2 17	2 P	3821 2063	3821 2063	S3 type Black 3899 7911 + 1437 3111	Black 3899 6011	1 contact NO U-type 3999 0701 ⁽¹⁾	2 P 3898 2080 3 P 3898 3080 4 P 3898 4080		
	3 P	3821 3063	3821 3063						
	4 P	3821 6063	3821 6063						
800 A C1-C2-C3 17	2 P	3821 2080	3821 2080		Black 3899 7011	1 contact NC U-type 3999 0702 ⁽¹⁾	3898 2120 3898 3120 3898 4120		
	3 P	3821 3080	3821 3080						
	4 P	3821 6080	3821 6080						
1250 A D1 18	2 P	3821 2120	3821 2120						
	3 P	3821 3120	3821 3120						
	4 P	3821 6120	3821 6120						

(1) Max. number of U-type auxiliary contacts is 8.

(2) Lock not included.

(3) Top/bottom.

Verify the certification of your product: page 130.

FUSERBLOC

Fuse combination switches

for industrial fuses up to 1250 A

References

NFC and DIN - External front and right side operation - 25 to 125 A

Rating (A) / Fuse / Frame size	No. of poles	Switch I - 0 - TEST	Changeover switch I - 0 - II	External front handle	TEST external front handle	External right side handle	Changeover external front handle	Shaft for external handle	Auxiliary contacts ⁽³⁾	Terminal shrouds ⁽²⁾	Integrated solid neutral link
CD 25 A 10 x 38 0	3 P	3631 3002 ⁽¹⁾	3670 3002								
	3 P + switched neutral	3631 4002 ⁽¹⁾	3670 4002								
	3 P + solid neutral	3631 5002 ⁽¹⁾									
CD 32 A 10 x 38 0	3 P	3631 3003	3670 3003	S1 type	S1 type	S1 type	S1 type	320 mm 1401 0532			
	3 P + switched neutral	3631 4003	3670 4003								
	3 P + solid neutral	3631 5003									
CD 32 A 14 x 51 0	3 P	3631 3004 ⁽¹⁾	3670 3004	Black IP65 1413 2111 Red/Yellow IP65 1414 2111	Black IP65 1413 2115 Red/Yellow IP65 1414 2115	Black IP65 1417 2111 Red/Yellow IP65 1418 2111	Black IP65 1413 2113 Red/Yellow IP65 1414 2113			IP2x as standard	
	3 P + switched neutral	3631 4004 ⁽¹⁾	3670 4004								
	3 P + solid neutral	3631 5004 ⁽¹⁾									
50 A 14 x 51 11	2 P	3831 2005							U-type		
	3 P	3831 3005 ⁽¹⁾	3870 3005								
	4 P	3831 6005 ⁽¹⁾	3870 6005								
63 A 00C 12	2 P	3831 2006									
	3 P	3831 3006 ⁽¹⁾	3870 3006								
	4 P	3831 6006 ⁽¹⁾	3870 6006								
100 A 22 x 58 13	2 P	3831 2010		S2 type	S2 type	S2 type	S2 type	320 mm 1400 1032 ⁽²⁾			
	3 P	3831 3010 ⁽¹⁾	3870 3010								
	4 P	3831 6010 ⁽¹⁾	3870 6010								
125 A 22 x 58 13	2 P	3831 2011		Black IP65 1423 2111 Red/Yellow IP65 1424 2111	Black IP65 1423 2115 Red/Yellow IP65 1424 2115	Black IP65 1427 2111 Red/Yellow IP65 1428 2111	Black IP65 1423 2113 Red/Yellow IP65 1424 2113				
	3 P	3831 3011	3870 3011								
	4 P	3831 6011	3870 6011								
125 A 00 13	2 P	3831 2012									
	3 P	3831 3012	3870 3012								
	4 P	3831 6012	3870 6012								

(1) Available enclosed.

(2) Top/bottom.

(3) Maximum 4 contacts.

Verify the certification of your product: page 130.

NFC and DIN - External front and right side operation - 160 to 1250 A

Rating (A) / Fuse / Frame size	No. of poles	Switch I - TEST	Changeover switch I - 0 - II	External front handle	TEST external front handle	External right side handle	Changeover external front handle	Shaft for external handle	Auxiliary contacts ⁽³⁾	Terminal shrouds ⁽²⁾	Integrated solid neutral link
160 A 00 13	2 P	3831 2015								2 P 3998 2016 3 P 3998 3016 4 P 3998 4016	3829 9320
	3 P	3831 3015	3870 3015								
	4 P	3831 6015	3870 6015								
160 A 0 14	2 P	3831 2016		S2 type	S2 type	S2 type	S2 type	320 mm 1400 1032		2 P 3998 2025 3 P 3998 3025 4 P 3998 4025	3829 9325
	3 P	3831 3016 ⁽¹⁾	3870 3016	Black IP65 1423 2111	Black IP65 1423 2115	Black IP65 1427 2111	Black IP65 1423 2113				
	4 P	3831 6016 ⁽¹⁾	3870 6016	Red/Yellow IP65 1424 2111	Red/Yellow IP65 1424 2115	Red/Yellow IP65 1428 2111	Red/Yellow IP65 1424 2113				
250 A 1 15	2 P	3831 2024		Red/Yellow IP65 1424 2111	Red/Yellow IP65 1424 2115	Red/Yellow IP65 1428 2111	Red/Yellow IP65 1424 2113			2 P 3998 2025 3 P 3998 3025 4 P 3998 4025	3829 9325
	3 P	3831 3024 ⁽¹⁾	3870 3024								
	4 P	3831 6024 ⁽¹⁾	3870 6024								
400 A 2 16	2 P	3831 2038							U-type 1 contact NO 3999 0701	2 P 3898 2040 3 P 3898 3040 4 P 3898 4040	3829 9339
	3 P	3831 3038 ⁽¹⁾	3870 3039 ⁽⁴⁾								
	4 P	3831 6038 ⁽¹⁾	3870 6039 ⁽⁴⁾								
630 A 3 17	2 P	3811 2063		S3 type Black IP65 1433 3111					1 contact NC 3999 0702	2 P 3898 2080 3 P 3898 3080 4 P 3898 4080	3829 9308
	3 P	3811 3063 ⁽¹⁾									
	4 P	3811 6063 ⁽¹⁾									
800 A 3 17	2 P	3811 2080		Red/Yellow IP65 1434 3111		S3 type Black IP65 1437 3111		320 mm 1400 1232		2 P 3898 2120 3 P 3898 3120 4 P 3898 4120	3829 9312
	3 P	3811 3080									
	4 P	3811 6080									
800 A 4 18	2 P	3811 2081		S4 type Black IP65 1443 3111		Red/Yellow IP65 1438 3111				2 P 3898 2120 3 P 3898 3120 4 P 3898 4120	3829 9312
	3 P	3811 3081									
	4 P	3811 6081									
1250 A 4 18	2 P	3811 2120		Red/Yellow IP65 1444 3111						2 P 3898 2120 3 P 3898 3120 4 P 3898 4120	3829 9312
	3 P	3811 3120									
	4 P	3811 6120									

(1) Available enclosed.

(2) Top/bottom.

(3) Maximum 4 contacts.

(4) Terminal shrouds: 3 P - 3998 3025, 4 P - 3998 4025.

FUSERBLOC

Fuse combination switches

for industrial fuses up to 1250 A

References (continued)

NFC and DIN - Direct operation - 25 to 125 A

Rating (A) Fuse size Frame size	No. of poles	Direct side operation	Direct front operation	Direct handle	Auxiliary contacts	Terminal shrouds	Cage terminals	Lock for fuse protection cover	Handle key interlocking accessories ⁽⁶⁾
CD 25 A 10 x 38 0	3 P		3631 3002	Black 3629 4012 ⁽¹⁾⁽²⁾	A-type 1 contact NO/NC 3999 0001 ⁽³⁾ A-type 2 contacts NO/NC 3999 0002 ⁽³⁾	IP2x as standard	Standard	Standard	
	3 P + switched neutral		3631 4002						
	3 P + solid neutral		3631 5002						
CD 32 A 10 x 38 0	3 P		3631 3003						
	3 P + switched neutral		3631 4003						
	3 P + solid neutral		3631 5003						
CD 32 A 14 x 51 0	3 P		3631 3004						
	3 P + switched neutral		3631 4004						
	3 P + solid neutral		3631 5004						
50 A 14 x 51 1	2 P	3615 2005	consult us	Black 3629 7900 ⁽⁵⁾⁽²⁾	A-type 1 contact NO/NC 3999 0021 ⁽³⁾ A-type 2 contacts NO/NC 3999 0022 ⁽³⁾	IP2x as standard	Standard	3999 8906	3629 7903
	3 P	3615 3005	consult us						
	4 P	3615 6005	consult us						
63 A 00C 2	2 P	3615 2006	consult us						
	3 P	3615 3006	consult us						
	4 P	3615 6006	consult us						
100 A 22 x 58 3	2 P	3615 2010	consult us	Black 3629 7901 ⁽⁵⁾⁽²⁾	A-type 1 contact NO/NC 3999 0021 ⁽³⁾ A-type 2 contacts NO/NC 3999 0022 ⁽³⁾	IP2x as standard	Standard	3999 8912	3629 7913
	3 P	3615 3010	consult us						
	4 P	3615 6010	consult us						
125 A 22 x 58 3	2 P	3615 2011	consult us						
	3 P	3615 3011	consult us						
	4 P	3615 6011	consult us						
125 A 00 3	2 P	3615 2012	consult us						
	3 P	3615 3012	consult us						
	4 P	3615 6012	consult us						

(1) Direct front operation.

(2) Standard.

(3) Maximum 2 contacts.

(4) Top or bottom.

(5) Direct right side operation.

(6) Locking using RONIS EL11AP lock (lock not included).

Verify the certification of your product: page 130.

NFC and DIN - Direct operation - 160 to 400 A

Rating (A) Fuse size Frame size	No. of poles	Direct side operation	Direct front operation	Direct handle	Auxiliary contacts	Terminal shrouds	Cage terminals	Lock for fuse protection cover	Handle key interlocking accessories ⁽⁵⁾	
160 A 00 3	2 P	3615 2015	consult us	Black 3629 7901 ⁽⁴⁾⁽¹⁾		2 P 3998 2016 ⁽³⁾	3 P 5400 3016 4 P 5400 4016	3999 8912	3629 7913	
	3 P	3615 3015	consult us			3 P 3998 3016 ⁽³⁾				3999 8216
	4 P	3615 6015	consult us			4 P 3998 4016 ⁽³⁾				3999 8316
160 A 0 4	2 P	3615 2016	consult us	Black 3629 7901 ⁽⁴⁾⁽¹⁾	A-type 1 contact NO/NC 3999 0021 ⁽²⁾	2 P 3998 2025 ⁽³⁾ 3 P 3998 3025 ⁽³⁾ 4 P 3998 4025 ⁽³⁾	3 P 5400 3025 4 P 5400 4025	3999 8225		
	3 P	3615 3016	consult us					3999 8325		
	4 P	3615 6016	consult us					3999 8425		
250 A 1 5	2 P	3615 2024	consult us	Black 3629 7901 ⁽⁴⁾⁽¹⁾	A-type 2 contacts NO/NC 3999 0022 ⁽²⁾	2 P 3998 2025 ⁽³⁾ 3 P 3998 3025 ⁽³⁾ 4 P 3998 4025 ⁽³⁾	3 P 5400 3025 4 P 5400 4025	3999 8240		
	3 P	3615 3024	consult us					3999 8340		
	4 P	3615 6024	consult us					3999 8440		
400 A 2 6	2 P	3615 2039	consult us	Black 3629 7901 ⁽⁴⁾⁽¹⁾		2 P 3998 2025 ⁽³⁾ 3 P 3998 3025 ⁽³⁾ 4 P 3998 4025 ⁽³⁾	3 P 5400 3040 4 P 5400 4040	3999 8240		
	3 P	3615 3039	consult us					3999 8340		
	4 P	3615 6039	consult us					3999 8440		

(1) Standard.

(2) Maximum 2 contacts.

(3) Top/bottom.

(4) Direct right side operation.

(5) Locking using RONIS EL11AP lock (lock not included).

NFC and DIN - Direct operation - 630 to 1250 A

Rating (A) Fuse size Frame size	No. of poles	Direct side and front operation	Direct front handle	Direct side handle	Auxiliary contacts	Terminal shrouds
630 A 3 17	2 P	3811 2063	Black 3899 6011 ⁽¹⁾⁽²⁾			2 P 3898 2080 ⁽³⁾
	3 P	3811 3063				3 P 3898 3080 ⁽³⁾
	4 P	3811 6063				4 P 3898 4080 ⁽³⁾
800 A 3 17	2 P	3811 2080	Black 3899 6011 ⁽¹⁾⁽²⁾	S3 type Black 3899 7911 + 1437 3111	U-type 1 contact NO 3999 0701 ⁽⁴⁾ 1 contact NC 3999 0702 ⁽⁴⁾	4 P 3898 4080 ⁽³⁾
	3 P	3811 3080				
	4 P	3811 6080				
800 A 4 18	2 P	3811 2081	Black 3899 7011 ⁽¹⁾⁽²⁾			2 P 3898 2120 ⁽³⁾
	3 P	3811 3081				3 P 3898 3120 ⁽³⁾
	4 P	3811 6081				4 P 3898 4120 ⁽³⁾
1250 A 4 18	2 P	3811 2120	Black 3899 7011 ⁽¹⁾⁽²⁾			2 P 3898 2120 ⁽³⁾
	3 P	3811 3120				3 P 3898 3120 ⁽³⁾
	4 P	3811 6120				4 P 3898 4120 ⁽³⁾

(1) Direct front operation.

(2) Standard.

(3) Top/bottom.

(4) Maximum 8 contacts.

Verify the certification of your product: page 130.

FUSERBLOC

Fuse combination switches

for industrial fuses up to 1250 A

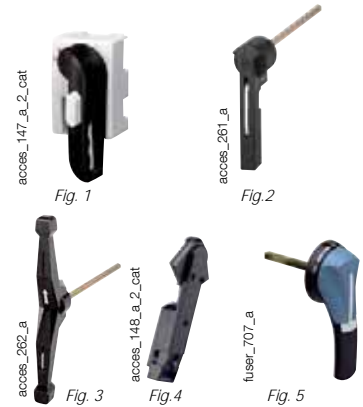
Accessories

Direct operation handle

For front operation				
Rating (A)	Frame size	Figure no.	Handle colour	Reference
20 ... 32	0	1	Black	3629 4012
20 ... 32	0	1	Red	3629 4013
32 ... 400	11 ... 16	2	Black	3629 7910 ⁽¹⁾
630 ... 800	17	2	Black	3899 6011
800 ... 1250	18	3	Black	3899 7011

For right side operation				
Rating (A)	Frame size	Figure no.	Handle colour	Reference
32 ... 63	1/2	4	Black	3629 7900
100 ... 400	3 ... 6	4	Black	3629 7901
630 ... 1250	17 ... 18	5	Black	1437 7911

(1) Direct operation handle for switches 3841 xxxx and 3831 xxxx.



External front operation handle

Padlockable handle in position 0							
Rating (A)	Frame size	Handle type	Handle colour	Operation	External IP ⁽¹⁾	Defeatable handle	Reference
CD 25 ... 63	0/11/12	S1	Black	I - 0	IP55	Yes	1411 2111
CD 25 ... 63	0/11/12	S1	Black	I - 0	IP65	Yes	1413 2111
CD 25 ... 63	0/11/12	S1	Red/Yellow	I - 0	IP65	Yes	1414 2111
CD 25 ... 63	0/11/12	S1	Black	I - 0 - Test	IP65	Yes	1413 2115
CD 25 ... 63	0/11/12	S1	Red/Yellow	I - 0 - Test	IP65	Yes	1414 2115
100 ... 400	13 ... 16	S2	Black	I - 0	IP55	Yes	1421 2111
100 ... 400	13 ... 16	S2	Black	I - 0	IP65	Yes	1423 2111
100 ... 400	13 ... 16	S2	Red/Yellow	I - 0	IP65	Yes	1424 2111
100 ... 400	13 ... 16	S2	Black	I - 0 - Test	IP65	Yes	1423 2115
100 ... 400	13 ... 16	S2	Red/Yellow	I - 0 - Test	IP65	Yes	1424 2115
630 ... 800	17	S3	Black	I - 0	IP65	Yes	1433 3111
630 ... 800	17	S3	Red/Yellow	I - 0	IP65	Yes	1434 3111
800 ... 1250	18	S4	Black	I - 0	IP65	Yes	1443 3111
800 ... 1250	18	S4	Red/Yellow	I - 0	IP65	Yes	1444 3111

(1) IP: protection degree according to IEC 60529 standard.

Padlockable handle in position 0 and 1					
Rating (A)	Frame size	Handle type	Handle colour	External IP ⁽¹⁾	Reference
CD 25 ... 63	0/11/12	S1	Black	IP65	1413 2311
100 ... 400	13 ... 16	S2	Black	IP65	1423 2311

(1) IP: protection degree according to IEC 60529 standard.



External right side operation handle

Rating (A)	Frame size	Handle type	Handle colour	External IP ⁽¹⁾	Reference
CD 25 ... 63	0/11/12	S1	Black	IP55	1415 2111
CD 25 ... 63	0/11/12	S1	Black	IP65	1417 2111
CD 25 ... 63	0/11/12	S1	Red/Yellow	IP65	1418 2111
100 ... 400	13 ... 16	S2	Black	IP55	1425 2111
100 ... 400	13 ... 16	S2	Black	IP65	1427 2111
100 ... 400	13 ... 16	S2	Red/Yellow	IP65	1428 2111
630 ... 1250	17/18	S3	Black	IP65	1437 3111
630 ... 1250	17/18	S3	Red/Yellow	IP65	1438 3111

(1) IP: protection degree according to IEC 60529 standard.



Verify the certification of your product: page 130.

External front operation handle with metal padlocking lever

Rating (A)	Frame size	Handle type	Handle colour	External IP ⁽¹⁾	Defeatable handle	Reference
CD 25 ... 63	0/11/12	S1	Black	IP65	Yes	141D 2911
CD 25 ... 63	0/11/12	S1	Red/Yellow	IP65	Yes	141E 2911
100 ... 400	13 ... 16	S2	Black	IP65	Yes	142D 2911
100 ... 400	13 ... 16	S2	Red/Yellow	IP65	Yes	142E 2911
600 ... 800	17	S3	Black	IP65	Yes	143D 3911
600 ... 800	17	S3	Red/Yellow	IP65	Yes	143E 3911
800 ... 1250	18	S4	Black	IP65	Yes	144D 3911
800 ... 1250	18	S4	Red/Yellow	IP65	Yes	144E 3911

(1) IP: protection degree according to IEC 60529 standard.



S2 type handle

S3 type handle

S-type handle adapter

Use

Enables S-type handles to be fitted in place of existing older style Socomec handles.
Adapter can be utilised as a spacer to increase the distance between the panel door and the handle lever.

Dimensions

Adds 12 mm to the depth of the handle.

Handle colour	To be ordered in multiples of	External IP ⁽¹⁾	Reference
Black	1	IP65	1493 0000

(1) IP: protection degree according to IEC 60529 standard.



access_187_a_1_cat

Alternative S-type handle cover colours

Use

For single lever handles S1, S2, S3 types and double lever handle, S4 type.
Other colours: please consult us.

Handle colour	To be ordered in multiples of	Handle type	Reference
Light grey	50	S1, S2	1401 0001
Dark grey	50	S1, S2	1401 0011
Light grey	50	S4	1401 0031
Dark grey	50	S4	1401 0041



access_198_a_1_cat

Flat mounting kit

Use

The flat mounting providing compact solution ideally suited to withdrawable applications.
Kit to be used with a handle for flat mounting.

Rating (A)	Frame size	Type	Reference
CD 25 ... CD 32	0	Kit + Shaft 200 mm	1429 7709
50 ... 400	11 ... 16	Kit + Shaft 200 mm	1429 7710



fuser_535_a_1_cat

Handle for flat mounting kit

Padlockable handle in position 0						
Rating (A)	Frame size	Handle type	Handle colour	External IP ⁽¹⁾	Reference	
CD 25 ... 63	0/11/12	S1	Black	IP55	1411 2111 ⁽²⁾	
CD 25 ... 63	0/11/12	S1	Red/Yellow	IP65	1414 2111 ⁽²⁾	
100 ... 400	13 ... 16	S2	Black	IP55	1421 2111 ⁽²⁾	
100 ... 400	13 ... 16	S2	Red/Yellow	IP65	1424 2111 ⁽²⁾	

(1) IP: protection degree according to IEC 60529 standard.

(2) Defeatable handle in position 1.



S2 type handle.

fuser_536_a_1_cat

Verify the certification of your product: page 130.

FUSERBLOC

Fuse combination switches

for industrial fuses up to 1250 A

Accessories (continued)

Front operation shaft support accessory

Use

This support maintains shaft position for extension shafts greater than 320 mm in length.



fuser_698_a_2_cat

Rating (A)	Frame size	Reference
50 ... 400	11 ... 16	3899 0400

Shaft guide for external operation

Use

To guide the shaft extension into the external handle.

This accessory enables the handle to engage the extension shaft with a misalignment of up to 15 mm.

Required for a shaft lengths over 320 mm.



access_260_a_2_cat

Description	Reference
Shaft guide	1429 0000

Shaft for external front operation handle

Use

Standard lengths:

- 200 mm
- 320 mm
- 400 mm
- 500 mm.

Other lengths: consult us.

Rating (A)	Frame size	Shaft length (mm)	Reference
CD 20 ... CD 32	0	200	1401 0520
CD 20 ... CD 32	0	320	1401 0532
CD 20 ... CD 32	0	400	1401 0540 ⁽¹⁾
32 ... 400	11 ... 16	200	1400 1020
32 ... 400	11 ... 16	320	1400 1032
32 ... 400	11 ... 16	500	1400 1050 ⁽²⁾
630 ... 800	17	200	1400 1220
630 ... 1250	17/18	320	1400 1232
630 ... 1250	17/18	500	1400 1250 ⁽¹⁾

(1) Use the shaft guide accessory for external operation.

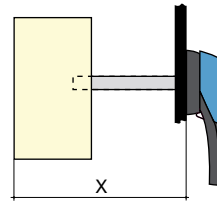
(2) Use the front operation shaft support accessory.

access_145_b_1_cat



access_369_a_1_cat

access_202_a_1_x_cat



Dimension X (mm) for FUSERBLOC BS88

Rating (A)	CD 20 ... CD 32	32	63 ... 160	CD160 ... CD200	160 ... 200	250 ... 315	630 ... 800	1250
Fuse size	A1	A1	A2-A3/A4	A3-A4	B1-B2	B1-B2-B3	C1-C2-C3	D1
Frame size	0	11	12/13/14	13 A	14/15	15/16	17	18
Shaft length (mm)								
200	102 ... 245	100 ... 230	125 ... 230	150 ... 230	135 ... 230	160 ... 230	270 ... 304	
320	102 ... 365	100 ... 350	125 ... 350	150 ... 350	135 ... 350	160 ... 350	270 ... 424	304 ... 424
400	102 ... 445							
500		100 ... 530	125 ... 530	150 ... 530	135 ... 530	160 ... 530	270 ... 600	304 ... 600

Dimension X (mm) for FUSERBLOC NFC and DIN

Rating (A)	CD 25 ... CD 32	50	63	100 ... 160	160	250 ... 400	630 ... 800	800 ... 1250
Fuse size	10x38/14x51	14x51	00C	22x58/00	0	1/2	3	4
Frame size	0	11	12	13	14	15/16	17	18
Shaft length (mm)								
200	102 ... 245	100 ... 230	125 ... 230	135 ... 230	145 ... 230	160 ... 230	270 ... 304	
320	102 ... 365	100 ... 350	125 ... 350	135 ... 350	145 ... 350	160 ... 350	270 ... 424	304 ... 424
400	102 ... 445	100 ... 430	125 ... 430	135 ... 430	145 ... 430	160 ... 430	270 ... 504	304 ... 504
500		100 ... 530	125 ... 530	135 ... 530	145 ... 530	160 ... 530	270 ... 604	304 ... 604

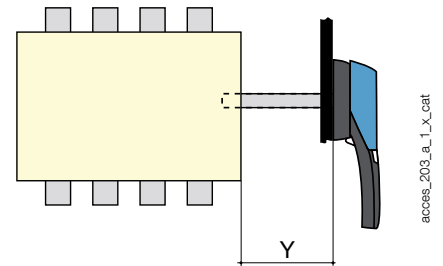
Verify the certification of your product: page 130.

Shaft extensions for external side operation

Use

Standard lengths, 200 mm.

Rating (A)	Frame size	Handle type	Dimension Y (mm)	Shaft length (mm)	Reference
CD 25 ... CD 32	0	S	36 ... 159	200	1401 0520
50 ... 400	11 ... 16	S	36 ... 172	200	1400 1020
630 ... 1250	17/18	S	15 ... 150	200	1400 1220



access_203_a_1_X_cat

Integrated solid neutral link

Use

Fixing the solid neutral onto the mechanism produces a device with a solid neutral of the same size as a standard three-pole device (+ 6 mm).

BS88 for external front operation			
Rating (A)	Switch body size	Bar rating (A)	Reference
32 ... 100	11/12/13	125	3829 9310
CD 160 ... CD 200	13a	200	3829 9320
160	14	200	3829 9320
200 ... 250	15	250	3829 9325
315 ... 400	16	400	3829 9339
630 ... 800	17	800	3829 9308
1250	18	1250	3829 9312

NFC and DIN For external front operation			
Rating (A)	Frame size	Bar rating (A)	Reference
50 ... 125	11/12/13	125	3829 9310
160	13	160	3829 9320
160	14	200	3829 9320
250	15	250	3829 9325
400	16	400	3829 9339
630 ... 800	17	800	3829 9308
800 ... 1250	18	1250	3829 9312



Solid neutral module

BS88 for external front operation				
Rating (A)	Switch body size	I _{max} (A)	Distance (mm)	Reference
32	1/11	32	27	3629 9227
63	2/12	63	32	3629 9232
100	3/13	100	36	3629 9236
CD 160 ... CD 200	13 a	200	36	3629 9237
160	4/14	160	50	3629 9250
200 ... 250	5/15	250	60	3629 9260
315 ... 400	6	400	66	3629 9266 ⁽¹⁾
630 ... 800	17	800	94	3629 9294
1250	18	1250	120	3629 9212

NFC and DIN For external front operation				
Rating (A)	Frame size	I _{max} (A)	Distance (mm)	Reference
50	1/11	50	27	3629 9227
63	2/12	63	32	3629 9232
100 ... 160	3/13	160	36	3629 9236
160	4/14	160	50	3629 9250
250	5/15	250	60	3629 9260
400	6/16	400	60	3629 9266 ⁽¹⁾
630 ... 800	17	800	94	3629 9294
800 ... 1250	18	1250	120	3629 9212

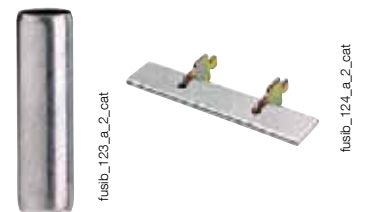


(1) For external front operation switches an adaptation kit 3999 0000 must be ordered in addition to the original product reference

Solid links

BS88 switches				
Rating (A)	Frame size	Fuse size	I _{max} (A)	Reference
32	11	A1	32	3629 9003
63	12	A2-A3	63	3629 9006
100	13	A4	160	3629 9010
CD 160	13a	A3-A4	160	3629 9010
160	14	A4	160	3629 9010
160	14	B1-B2	200	3629 9016
CD 200	13a	A3-A4	160	3629 9010
200	15	B1-B2	200	3629 9016
250	15	B1-B2-B3	315	3629 9025
315	16	B1-B2-B3	315	3629 9025
400	16	B1-B2-B3-B4	400	3629 9040
630 ... 800	17	C1-C3	800	3629 9063
1250	18	D1	1250	3629 9120

NFC and DIN switches				
Rating (A)	Frame size	Fuse size	I _{max} (A)	Reference
50	1/11	14 x 51	50	6029 0000
63	2/12	00C	160	6420 0000
100 ... 125	3/13	22 x 58	125	6039 0000
125 ... 160	3/13	00	160	6420 0000
160	4/14	0	160	6421 0000
250	5/15	1	250	6421 0001
400	6/16	2	400	6421 0002
630 ... 800	17	3	800	6421 0003
800 ... 1250	18	4	1250	6441 0005



fusib_124_a_2_cat

Verify the certification of your product: page 130.

FUSERBLOC

Fuse combination switches

for industrial fuses up to 1250 A

Accessories (continued)

A-type auxiliary contacts

Use

Pre-break and position 0 and I signalling by 1 or 2 NO /NC auxiliary contacts. For low level use, specific auxiliary contacts: please consult us.

Connection to the control circuit

By 6.35 mm fast-on terminal.

Electrical characteristics

30 000 operations.

References

NO / NC auxiliary contacts			
Rating (A)	Frame size	Contact(s)	Reference
CD 20 ... CD 32	0	1	3999 0001
CD 20 ... CD 32	0	2	3999 0002
32 ... 400 ⁽¹⁾	1 ... 6	1	3999 0021 ⁽²⁾
32 ... 400 ⁽¹⁾	1 ... 6	2	3999 0022 ⁽²⁾

(1) Side direct operation switch only.

(2) A type auxiliary contacts cannot be mounted in conjunction with integrated solid neutral.

Characteristics

Rating (A)	Current nominal (A)	Operating current I _e (A)			
		250 VAC AC-13	400 VAC AC-13	24 VDC DC-13	48 VDC DC-13
CD 20 ... 400	16	4	2	12	2



access_046_a_1_cat

access_047_a_2_cat

U-type auxiliary contacts⁽¹⁾

Use

Compact universal type auxiliary contacts which can be configured for operation in either, or both, ON and TEST positions for CD 20 to 1250 A FUSERBLOC. Each slot can accommodate up to two interlocked A/Cs.

Connection to the control circuit

By terminals with max. section 2 x 2.5 mm².

For FUSERBLOC CD 20 to 400 A: Pre-break and signalling of positions 0, I and TEST.

For FUSERBLOC ≥ 630 A: Pre-break and position 0 and I signalling.

References

NO auxiliary contacts			
Rating (A)	Frame size	Contact(s)	Reference ⁽¹⁾
CD 20 ... 1250	0 ... 18	1	3999 0701 ⁽²⁾

NC auxiliary contacts			
Rating (A)	Frame size	Contact(s)	Reference ⁽¹⁾
CD 20 ... 1250	0 ... 18	1	3999 0702 ⁽²⁾

(1) Cannot be mounted in direct operation CD20 - CD32 switches..

(2) 4 auxiliary contacts as standard without additional A/C holder.

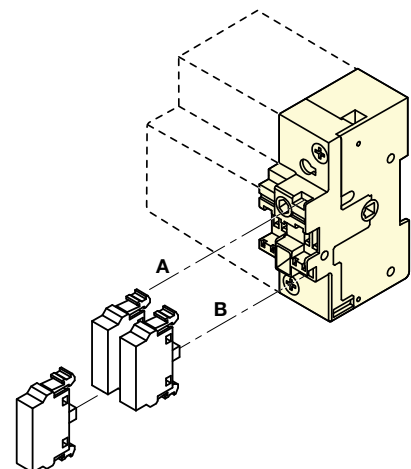
Contact holder for additional auxiliary contacts			
Rating (A)	Frame size	Contact(s)	Reference
CD 20 ... CD 32	0	4 (2 x 2 max)	3999 0710
32 ... 400	11 ... 16	4 (2 x 2 max)	3999 0600

Characteristics

Rating (A)	Operating current I _e (A)			
	250 VAC AC-15	400 VAC AC-15	24 VDC DC-13	48 VDC DC-13
CD 20 ... 1250	3	1.8	2.8	1.4



access_066_a_1_cat



access_043_a_1_x_cat

(1) CD 20 - CD 32 : U-type auxiliary contacts cannot be mounted on switches with an integrated solid neutral or with direct operation handle.

Verify the certification of your product: page 130.

S and ST-type auxiliary contacts

Use

For FUSERBLOCs 32 to 1250 A, position 0 and I signalling by 1 to 4 NO + NC auxiliary contacts.

Electrical principle

The NO + NC S-type auxiliary contacts can be configured as 2 NC or 2 NO.

References

S-type auxiliary contacts 0-I for external front and right-side operation (Standard operation)

Rating (A)	Frame size	Contact type	S-type AC Reference	Drive shaft (optional) Reference
32 ... 1250	11 ... 18	NC+NO	3999 0041 ⁽¹⁾	3999 0003

ST-type auxiliary contacts I-0-TEST for external front and right-side operation (TEST operation)

Rating (A)	Frame size	Contact type	Description	ST-type AC Reference	Drive shaft Reference
32 ... 400	11 ... 16	NC+NO	TEST + ON	3999 0141 ⁽²⁾	3999 0103
32 ... 400	11 ... 16	2 O	TEST + ON	3999 0241 ⁽²⁾	3999 0103

(1) Drive shaft included with S-type Auxiliary Contact.

(2) Drive shaft to be ordered in addition to the ST-type Auxiliary Contact.

Characteristics

Rating (A)	Current nominal (A)	Operating current I _o (A)	
		250 VAC AC-13	400 VAC AC-13
32 ... 1250	20	10	8

Connection

By terminals with max. cross-section 10 mm².

Mechanical characteristics

30 000 operations.



access_051_a_2_cat



access_063_a_1_cat

Important:

- > For the 400 A frame size 16, an adaptation kit reference 3999 0000 must be ordered in addition to the auxiliary contact kit.

Fuse cover interlocking

Use

On NFC and DIN, side direct operation, locking of the opening of the fuse protection cover when FUSERBLOC is engaged (position I).

Rating (A)	Frame size	Fuse size	No. of poles	Reference
CD 20 ... 50	0 ... 1	10 x 38 / 14 x 51	2 / 3 / 4	included
63	2	00C	2 / 3 / 4	3999 8906
100 ... 125	3	22 x 58	2 / 3 / 4	3999 8912
125 ... 160	3	00	2 / 3 / 4	3999 8912
160	4	0	2 P	3999 8216
160	4	0	3 P	3999 8316
160	4	0	4 P	3999 8416
250	5	1	2 P	3999 8225
250	5	1	3 P	3999 8325
250	5	1	4 P	3999 8425
400	6	2	2 P	3999 8240
400	6	2	3 P	3999 8340
400	6	2	4 P	3999 8440

Terminal shrouds

Use

Top or bottom IP20 protection (on the front) against direct contact with terminals or connection parts.

Two sets required to fully shroud both incoming and outgoing terminals.

Rating (A)	Frame size	Position	No. of poles	Reference
CD 20 ... 63	0/1/2/12	top / bottom	2 / 3 / 4 P	integrated
100 ... CD 200	3/4/13/14	top / bottom	2 P	3998 2016
100 ... CD 200	3/4/13/14	top / bottom	3 P	3998 3016
100 ... CD 200	3/4/13/14	top / bottom	4 P	3998 4016
200 ... 400	5/6/15	top / bottom	2 P	3998 2025
200 ... 400	5/6/15	top / bottom	3 P	3998 3025
200 ... 400	5/6/15	top / bottom	4 P	3998 4025
315 ... 400	16	top / bottom	2 P	3898 2040
315 ... 400	16	top / bottom	3 P	3898 3040
315 ... 400	16	top / bottom	4 P	3898 4040
630 ... 800	17	top / bottom	2 P	3898 2080
630 ... 800	17	top / bottom	3 P	3898 3080
630 ... 800	17	top / bottom	4 P	3898 4080
800 ... 1250	18	top / bottom	2 P	3898 2120
800 ... 1250	18	top / bottom	3 P	3898 3120
800 ... 1250	18	top / bottom	4 P	3898 4120

Verify the certification of your product: page 130.



fuser_314_a_1_cat

FUSERBLOC

Fuse combination switches

for industrial fuses up to 1250 A

Accessories (continued)

NFC and DIN worked fuse indication

Use

For fuse cartridge with striker (size 14 x 51 22 x 58; 0; 1; 2; 3 and 4).

Electrical principle

A NO/NC auxiliary contact detects that the fuse has blown.

References

NO/NC type auxiliary contacts for 2 pole

Rating (A)	Frame size	Fuses	Contact(s)	Reference
50	11	14 x 51	1 st	3994 0405
100 ... 125	13	22 x 58	1 st	3994 0210
160	14	0	1 st	3994 0216
250	15/16	1-2	1 st	3994 0225
400 ⁽¹⁾	16	2	1 st	3894 0440
630	17	3	1 st	3894 1206
800 ... 1250	18	4	1 st	3894 1212

NO/NC type auxiliary contacts for 3 pole

Rating (A)	Frame size	Fuses	Contact(s)	Reference
CD 32	0	14 x 51	1 st	3994 0303
50	11	14 x 51	1 st	3994 0405
100 ... 125	13	22 x 58	1 st	3994 0310
160	14	0	1 st	3994 0316
250	15/16	1-2	1 st	3994 0325
400 ⁽¹⁾	16	2	1 st	3894 0440
630	17	3	1 st	3894 1306
800 ... 1250	18	4	1 st	3894 1312
50 ... 250	11	-	2 nd	3994 1901
400	16	2	2 nd	3994 1902
630 ... 1250	16	-	2	3994 1901

NO/NC type auxiliary contacts for 4 pole or 3 pole + neutral

Rating (A)	Frame size	Fuses	Contact(s)	Reference
50	11	14 x 51	1 st	3994 0405
100 ... 125	13	22 x 58	1 st	3994 0410
160	14	0	1 st	3994 0416
250	15/16	1-2	1 st	3994 0425
400 ⁽¹⁾	16	2	1 st	3894 0440
630	17	3	1 st	3894 1406
800 ... 1250	18	4	1 st	3894 1412
50 ... 250	11	-	2 nd	3994 1901
400	16	2	2 nd	3994 1902
630 ... 1250	16	-	2	3994 1901

(1) For front direct and external left side operation handles, please order references 39940225 (2P), 39940325 (3P), 39940425 (4P)

Characteristics

Rating (A)	Current nominal (A)	Operating current I _n (A)			
		250 VAC AC-13	400 VAC AC-13	24 VDC DC-13	48 VDC DC-13
CD 32 ... 1250	16	4	3	12	2

Connection to the control circuit

6.35 mm fast-on terminal.

Mechanical characteristics

30 000 operations.



DDMM for cylindrical fuses



DDMM for NH fuses

fuser_311_a_1_cat

fuser_312_a_1_cat

Electronic fuse monitoring device (FMD)

Use

Provides fuse state monitoring and worked fuse indication even for fuse links without monitoring device strikers. Suitable for use with BS88, DIN and UL type fuses.

Principle

The Fuse Monitoring Device (FMD) detects the worked fuse and provides a signal via: a relay and 1 LED (FMD10) or a bi-stable relay and 3 LEDs (FMD30).

The FMD can be DIN rail or back plate mounted close to the Fuserbloc, directly mounted on the FUSERBLOC, or it can be door mounted to provide information directly on the front of a panel.

References

For FUSERBLOC 63 to 1250A - size 000 to 4

Nb of LEDs	Operating voltage Ph/Ph	Reference
1 (FMD10)	120 - 260 VAC	3899 1120
1 (FMD10)	380 - 690 VAC	3899 1380
3 (FMD30)	120 - 260 VAC	3899 3120
3 (FMD30)	380 - 690 VAC	3899 3380

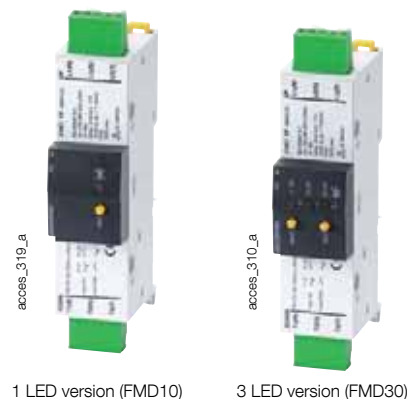
Accessories

Accessories	Reference
Kit for connection accessories	Standard 3819 9120
Kit for connection accessories	Door mounted 3829 9120

Relay characteristics

Rating (A)	Relay operating current I _n (A)	
	AC-15	DC-13
63 ... 1250	2.5 A	0.2

Verify the certification of your product: page 130.



1 LED version (FMD10)

3 LED version (FMD30)

Important:

- > For direct mounting on the 400 A frame size 16, an adaptation kit reference 3999 0000 must be ordered in addition to the FMD.

Cage terminals

Use

Connection of bare copper cables onto the terminals (without lugs).

References

Rating max (A)	Frame size	No. of poles	Reference
CD 20 ... 63	0 ... 12	2 / 3 / 4 P	integrated
100 ... 160	13/14	3 P	5400 3016
100 ... 160	13/14	4 P	5400 4016
250	15	3 P	5400 3025
250	15	4 P	5400 4025
400	16	3 P	5400 3040
400	16	4 P	5400 4040



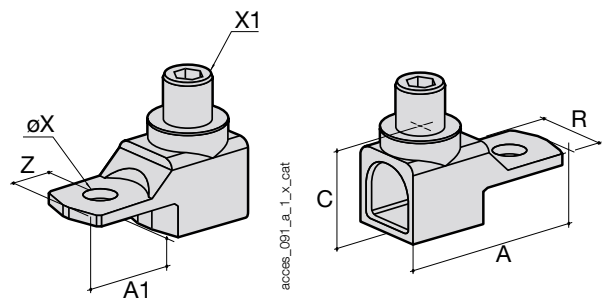
access_053_a_1_cat

Connections

Rating (A)	Flexible cable cross-section (mm ²)	Rigid cable cross-section (mm ²)	Flexible bar width (mm)	Stripped over (mm)
100 ... 160	16 ... 95	16 ... 95	13	22
250	16 ... 185	16 ... 185	18	27
400	50 ... 240	50 ... 300	20	34

Dimensions

Rating (A)	A	A1	C	R	ØX	X1	Z
100 ... 160	47.5	22.5	25	20	8.5	M12	10
250	62	31.5	31.5	25	10.5	M16	14
400	71.5	32	38	32	10.5	M20	15



access_091_a_1_x_cat

access_092_a_1_x_cat

Handle key interlocking accessories

Use

Locking in position 0 of the direct, front or right side operation:

- using a padlock (not supplied) in direct right side operation: integrated into the handle,

- using a padlock (not supplied): right-side or front operation switch from 32 to 1250 A, factory integrated

- using a padlock (not supplied) in external operation.

Locking using RONIS EL 11 AP lock (not supplied)

Rating (A)	Frame size	Operation	Figure n°	Reference
CD 20 ... 1250	0 ... 18	external front	2	1499 7701
32 ... 63	1/2	direct	1	3629 7903
100 ... 400	3 ... 6	direct	1	3629 7913
630 ... 1250	17 ... 18	direct		3829 7923

Locking using K-type CASTELL lock (not supplied)

Rating (A)	Frame size	Operation	Figure n°	Reference
CD 20 ... 1250	0 ... 18	external front	3	1499 7702

Locking using FS-type CASTELL lock (not supplied)

Rating (A)	Frame size	Operation	Figure n°	Reference
CD 20 ... 1250	0 ... 18	external front	3	1499 7703

Locking using XOP (not supplied)

Rating (A)	Frame size	Operation	Reference
CD 20 ... 1250	0 18	external front	1499 7702

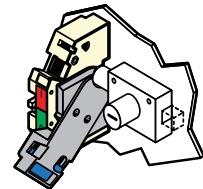


Fig. 1

access_042_a_1_x_cat

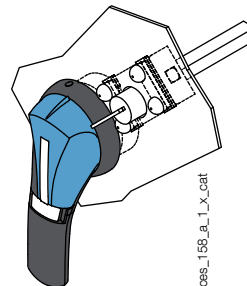


Fig. 2

access_156_a_1_x_cat

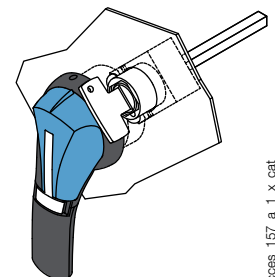


Fig. 3

access_157_a_1_x_cat

Label holder

Use

Recognisable self-adhesive label allowing identification of the devices.

Dimensions W x H (mm)	Nb of pieces in KIT	Reference
18 x 13	5	7769 9999



access_044_a_1_cat

Verify the certification of your product: page 130.

Characteristics according to IEC 60947-3

20 to 100 A

Thermal current I_{th} (40°C)	20 A	25 A	CD 32 A	CD 32 A	32 A	50 A	63 A	100 A
BS88/DIN fuse size	A1/-	-/10 x 38	-/10 x 38	A1/14 x 51	A1/-	-/14 x 51	A2-A3/00C	A4*/22 x 58
Frame size for direct operation	0	0	0	0	1	1	2	3
Switch body size for front and side operation	0	0	0	0	11	11	12	13
Rated insulation voltage U_i (V)	800	800	800	800	800	800	800	800
Rated impulse withstand voltage U_{imp} (kV)	8	8	8	8	8	8	8	8
Rated operational currents I_e (A)								
Rated voltage	Utilisation category	A/B ⁽¹⁾	A/B ⁽¹⁾	A/B ⁽¹⁾	A/B ⁽¹⁾	A/B ⁽¹⁾	A/B ⁽¹⁾	A/B ⁽¹⁾
400 VAC	AC-22 A / AC-22 B	20/20	25/25	32/32	32/32	32/32	50/50	63/63
400 VAC	AC-23 A / AC-23 B	20/20	25/25	32/32	32/32	32/32	50/50	63/63
690 VAC	AC-22 A / AC-22 B	20/20	25/25	32/32	32/32	32/32	50/50	63/63
690 VAC	AC-23 A / AC-23 B	20/20	25/25	32/32	32/32	32/32	50/50	63/63
220 VDC	DC-20 A / DC-20 B			-/32		32/32	50/50	63/63
220 VDC	DC-21 A / DC-21 B		-/25 ⁽⁴⁾			32/32	40/40	40/40
440 VDC	DC-20 A / DC-20 B					32 ⁽³⁾ /32 ⁽³⁾	50 ⁽³⁾ /50 ⁽³⁾	63 ⁽³⁾ /63 ⁽³⁾
440 VDC	DC-21 A / DC-21 B					32 ⁽³⁾ /32 ⁽³⁾	40 ⁽³⁾ /40 ⁽³⁾	40 ⁽³⁾ /40 ⁽³⁾
Operational power in AC-23 (kW)								
At 400 VAC without pre-break in AC ⁽¹⁾⁽⁵⁾		9/9	11/11	15/15	15/15	15/15	25/25	30/30
At 690 VAC without pre-break in AC ⁽¹⁾⁽⁵⁾		15/15	22/22	25/25	25/25	25/25	45/45	55/55
Reactive power (kvar)								
At 400 VAC ⁽⁵⁾		8	11	15	15	15	23	28
Fuse protected short-circuit withstand BS88/DIN (kA rms prospective)								
Prospective short-circuit (kA rms) ⁽⁶⁾		80/-	-/100	-/100	80/100	80/100	-/100	80/100
Associated fuse rating (A) ⁽⁶⁾		20/-	-/25	-/32	32/32	32/32	-/50	63/63
Short-circuit capacity								
Rated peak withstand current (kA peak) ⁽⁶⁾		5.5	5.5	5.5	5.5	9	7.6	10.6
Fuse selection (maximum fuse size)**								
SOCOMECS BS88 - Standard max	6A10 0020	6012 0025	6012 0032	6A10 0032	6A10 0032		6A30 0063	6A40 0100
SOCOMECS BS88 - Motor max	6A1M 0032	6013 0025	6013 0032	6A1M 0063	6A1M 0032		6A3M 0080	6A4M 0125
SOCOMECS DIN - Distribution (gl - gG)						6022 0050	6600 0063	6032 0100
SOCOMECS DIN - Motor (aM)						6023 0050	6601 0063	6033 0100
BUSSMANN - Standard max	NITD 20			NITD 32	NITD 32		BAO 63	CEO 100
BUSSMANN - Motor max	NITD 20M32			NITD 32M63	NITD 32M63		BAO 63M80	CEO 100M125
LAWSON - Standard max	NIT 20			NIT 32	NIT 32		TIS 63	TCP 100
LAWSON - Motor max	NIT 20M32				NIT 20M32		TIS 63M80	CTFP 100M125
GE - Standard max	NIT 20			NET 32	NET 32		TIS 63	TCP 100
GE - Motor max	NIT 20M32			NET 32M63	NET 32M63		TIS 63M80	OCP 100M125
Connection								
Minimum Cu cable cross-section (mm ²)	2.5	2.5	2.5	2.5	6	6	10	25
Maximum Cu cable cross-section (mm ²)	16	16	16	16	25	25	25	95
Maximum busbar width (mm)								20
Min. / Max. tightening torque min (Nm)	2/-	2/-	2/3	2	2.5/3	2.5/3	2.5/3	8.3/13
Mechanical characteristics								
Durability (number of operating cycles)	20 000	20 000	20 000	20 000	10 000	10 000	10 000	10 000
Weight of 3 P switch (kg)	0.48	0.48	0.48	0.50	0.80	0.80	1	1.5
Weight of 4 P switch (kg)	0.50	0.50	0.50	0.52	1	1	1.3	2
Weight of 1 P extra (kg)					0.2	0.2	0.3	0.5
Frame pitch (mm)					32	27	32	36

(1) Category with index A = frequent operation - Category with index B = infrequent operation.

(2) With terminal shrouds or terminal screen.

(3) 4-pole device with 2 pole in series by polarity.

(4) 3-pole device with 2 poles "+" in series and 1 pole "-".

(5) The power value is given for information only, the current values vary from one manufacturer to another.

(6) For a rated operational voltage $U_e = 400$ VAC.

* For fuse size A4: max diameter 31 mm.

** Please ensure that fuse let through current does not exceed short-circuit capacity of the switch (kA peak).

125 to 200 A

Thermal current I_{th} (40°C)	125 A	125 A	160 A	CD 160 A	160 A	160 A	CD 200 A	200 A
NFC/DIN fuse size	-/22 x 58	-/00	-/00	A3-A4*/-	A4/0	B1-B2/-	A3-A4*/-	B1-B2/-
Frame size for direct operation	3	3	3		4	4		5
Switch body size for front and side operation	13	13	13	13	14	14	13	15
Rated insulation voltage U_i (V)	800	800	800	800	800	800	800	800
Rated impulse withstand voltage U_{imp} (kV)	8	8	8	8	8	8	8	8

Rated operational currents I_e (A)

Rated voltage	Utilisation category	A/B ⁽¹⁾	A/B ⁽¹⁾	A/B ⁽¹⁾	A/B ⁽¹⁾	A/B ⁽¹⁾	A/B ⁽¹⁾	A/B ⁽¹⁾	A/B ⁽¹⁾
400 VAC	AC-22 A / AC-22 B	125/125	125/125	160/160	160/160	160/160	160/160	200/200	200/200
400 VAC	AC-23 A / AC-23 B	125/125	125/125	160/160	160/160	160/160	160/160	200/200	200/200
690 VAC	AC-22 A / AC-22 B	125 ⁽²⁾ /125 ⁽²⁾	125 ⁽²⁾ /125 ⁽²⁾	160 ⁽²⁾ /160 ⁽²⁾	160 ⁽²⁾ /160 ⁽²⁾	160 ⁽²⁾ /160 ⁽²⁾	160 ⁽²⁾ /160 ⁽²⁾	160 ⁽²⁾ /160 ⁽²⁾	200 ⁽²⁾ /200 ⁽²⁾
690 VAC	AC-23 A / AC-23 B	100 ⁽²⁾ /100 ⁽²⁾	100 ⁽²⁾ /100 ⁽²⁾	125 ⁽²⁾ /125 ⁽²⁾	125 ⁽²⁾ /125 ⁽²⁾	125 ⁽²⁾ /125 ⁽²⁾	125 ⁽²⁾ /125 ⁽²⁾	125 ⁽²⁾ /125 ⁽²⁾	160 ⁽²⁾ /200 ⁽²⁾
220 VDC	DC-20 A / DC-20 B	125/125	125/125	160/160	160/160	160/160	160/160	160/160	200/200
220 VDC	DC-21 A / DC-21 B	100/100	100/100	125/125	125/125	125/125	125/125	125/125	200/200
440 VDC	DC-22 A / DC-22 B	125 ⁽³⁾ /125 ⁽³⁾	125 ⁽³⁾ /125 ⁽³⁾	160 ⁽³⁾ /160 ⁽³⁾	160 ⁽³⁾ /160 ⁽³⁾	160 ⁽³⁾ /160 ⁽³⁾	160 ⁽³⁾ /160 ⁽³⁾	160 ⁽³⁾ /160 ⁽³⁾	200 ⁽³⁾ /200 ⁽³⁾
440 VDC	DC-23 A / DC-23 B	100 ⁽³⁾ /100 ⁽³⁾	100 ⁽³⁾ /100 ⁽³⁾	125 ⁽³⁾ /125 ⁽³⁾	160 ⁽³⁾ /160 ⁽³⁾	125 ⁽³⁾ /125 ⁽³⁾	125 ⁽³⁾ /125 ⁽³⁾	125 ⁽³⁾ /125 ⁽³⁾	200 ⁽³⁾ /200 ⁽³⁾

Operational power in AC-23 (kW)

At 400 VAC without pre-break in AC ⁽¹⁾⁽⁴⁾	63/63	63/63	80/80	80/80	80/80	80/80	80/80	100/100
At 690 VAC without pre-break in AC ⁽¹⁾⁽⁴⁾	90/90	90/90	110/110	110/110	110/110	110/110	110/110	150/185

Reactive power (kvar)

At 400 VAC ⁽⁴⁾	55	55	75	70	75	75	90	90
---------------------------	----	----	----	----	----	----	----	----

Fuse protected short-circuit withstand (kA rms prospective)

Prospective short-circuit (kA rms) ⁽⁵⁾	-/100	-/100	-/100 (50)	50/-	80/100	80/100	50/-	80/-
Associated fuse rating (A) ⁽⁵⁾	-/125	-/125	-/125 (160)	160/-	160/160	160/160	200/-	200/-

Short-circuit capacity

Rated peak withstand current (kA peak) ⁽⁵⁾	20	20	20	20	22.7	22.7	20	32.5
---	----	----	----	----	------	------	----	------

Fuse selection (maximum fuse size)**

SOCOMECS BS88 - Standard max				6A40 0160	6A40 0160	6B20 0160	6A40 0200	6B20 0200
SOCOMECS BS88 - Motor max				6A4M 0160	6A4M 0160	6B1M 0200	6A4M 0315	6B2M 0315
SOCOMECS DIN - Distribution (gl - gG)	6032 0125	6692 0125	6692 0160		6702 0160			
SOCOMECS DIN - Motor (aM)	6033 0125	6693 0125	6693 0160		6703 0160			
BUSSMANN - Standard max				DEO 160	DEO 160	DD 160	DEO 200	DD 200
BUSSMANN - Motor max				CEO 100M160	DEO 100M200	CD 100M200	DEO 200M315	DD 200M315
LAWSON - Standard max				CTFP 160	TFP 160	TF 160	TF 200	TF 200
LAWSON - Motor max				CTCP 100M160	TCP 100M200	TCP 100M200	TC 200M315	TC 200M315
GE - Standard max				TCP 100	TFP 160	TF 160	TF 200	TF 200
GE - Motor max				OCF 100M160	TCP 100M201	TC 100M200	TF 200M315	TF 200M315

Connection

Minimum Cu cable cross-section (mm ²)	35	35	35	35	50	50	35	95
Maximum Cu cable cross-section (mm ²)	95	95	95	95	95	95	95	240
Maximum busbar width (mm)	20	20	20	20	20	20	20	32
Tightening torque min (Nm)	8.3/13	8.3/13	8.3/13	8.3/13	8.3/13	8.3/13	8.3/13	20/26

Mechanical characteristics

Durability (number of operating cycles)	10 000	10 000	10 000	10 000	10 000	10 000	10 000	10 000
Weight of 3 P switch (kg)	1.5	1.5	1.8	1.8	1.8	1.8	1.8	3.2
Weight of 4 P switch (kg)	2	2	2.3	2.3	2.3	2.3	2.3	4.5
Weight of 1 P extra (kg)	0.5	0.5	0.5	0.5	0.5	0.5	0.5	1.3
Frame pitch (mm)	36	36	36	36	50	50	36	60

(1) Category with index A = frequent operation - Category with index B = infrequent operation.

(2) With terminal shrouds or phase barrier.

(3) 4-pole device with 2 poles in series per polarity.

(4) The power value is given for information only, the current values vary from one manufacturer to another.

(5) For a rated operational voltage $U_n = 400$ VAC.

** Please ensure that fuse let through current does not exceed short-circuit capacity of the switch (kA peak).

FUSERBLOC

Fuse combination switches

for industrial fuses up to 1250 A

Characteristics according to IEC 60947-3 (continued)

250 to 1250 A

Thermal current I_{th} (40°C)	250 A	315 A	400 A	630 A	800 A	800 A	1250 A
NFC/DIN fuse size	B1-B2-B3/1	B1-B2-B3/-	B1-B2-B3-B4/2	C1-C2/3	C1-C2-C3/3	-/4	D1/4
Frame size for direct operation	5	6	6	17	17	18	18
Switch body size for front and side operation	15	16	16	17	17	18	18
Rated insulation voltage U_i (V)	800	1000(800*)	1000(800*)	1000	1000	1000	1000
Rated impulse withstand voltage U_{imp} (kV)	8	12(8*)	12(8*)	12	12	12	12

Rated operational currents I_e (A)

Rated voltage	Utilisation category	A/B ⁽¹⁾	A/B ⁽¹⁾	A/B ⁽¹⁾	A/B ⁽¹⁾	A/B ⁽¹⁾	A/B ⁽¹⁾	A/B ⁽¹⁾
400 VAC	AC-22 A / AC-22 B	250/250	315/315	400/400	630/630	800/800	800/800	1250/1250
400 VAC	AC-23 A / AC-23 B	250/250	315/315	400/400	630/630	800/800	800/800	1000/1250
690 VAC	AC-22 A / AC-22 B	250 ⁽²⁾ /250 ⁽²⁾	315 ⁽²⁾ /315 ⁽²⁾	400/400	500/630	800/800	800/800	800/1250
690 VAC	AC-23 A / AC-23 B	250 ⁽²⁾ /250 ⁽²⁾	315 ⁽²⁾ /315 ⁽²⁾	315/400	315/400	630/630	800/800	800/1250
220 VDC	DC-20 A / DC-20 B	250/250	315/315	400/400	630/630	800/800	800/800	1250/1250
220 VDC	DC-21 A / DC-21 B	200/200	315/315	315/315	630/630	800/800	800/800	1250/1250
440 VDC	DC-22 A / DC-22 B	250 ⁽³⁾ /250 ⁽³⁾	315 ⁽³⁾ /315 ⁽³⁾	315 ⁽³⁾ /315 ⁽³⁾	400 ⁽³⁾ /630 ⁽³⁾	800 ⁽³⁾ /800 ⁽³⁾	800/800	1250 ⁽³⁾ /1250 ⁽³⁾
440 VDC	DC-23 A / DC-23 B	200 ⁽³⁾ /200 ⁽³⁾	250 ⁽³⁾ /315 ⁽³⁾	250 ⁽³⁾ /315 ⁽³⁾	400 ⁽³⁾ /630 ⁽³⁾	800 ⁽³⁾ /800 ⁽³⁾	800/800 ⁽³⁾	1000 ⁽³⁾ /1000 ⁽³⁾

Operational power in AC-23 (kW)

At 400 VAC without pre-break in AC ⁽¹⁾⁽⁴⁾	132/132	160/160	220/220	355/355	450/450	450/450	560/560
At 690 VAC without pre-break in AC ⁽¹⁾⁽⁴⁾	220/220	220/295	220/295	295/400	400/400	400/400	400/475

Reactive power (kvar)

At 400 VAC ⁽⁴⁾	115	145	185	290	365	355	460
---------------------------	-----	-----	-----	-----	-----	-----	-----

Fuse protected short-circuit withstand (kA rms prospective)

Prospective short-circuit (kA rms) ⁽⁵⁾	80/100	80/-	80/50	80/100	80/100	-/100	-/100
Associated fuse rating (A) ⁽⁵⁾	250/250	315/-	400/400	630/630	800/800	-/800	-/1250

Short-circuit capacity

Rated peak withstand current (kA peak) ⁽⁵⁾	32.5	40	40	70	80	80	90
---	------	----	----	----	----	----	----

Fuse selection (maximum fuse size)**

SOCOMECS BS88	6B20 0250	6B30 0315	6B40 0400	6C20 0630	6C30 0800		
SOCOMECS BS88	6B2M 3015	6B3M 0400	6B4M 0500				
SOCOMECS DIN	6712 0250		6722 0400	6732 0400		6746 0800	6746 1200
SOCOMECS DIN	6713 0250		6723 0400	6733 0400		6747 0800	6747 1200
BUSSMANN	ED 250	ED 315	ED 400	FF 630	GF 800		
BUSSMANN	DD 200M315	ED 315M400	ED 400M500				
LAWSON	TKF 250	TKF 315	TMF 400	TTM 630	TLM 800		
LAWSON	TF 200M315	TKF 315M400	TMF 400M500				
GE	TKF 250	TKF 315	TMF 400	TTM 630	TLM 800		
GE	TF 200M315	TKF 315M355	TMF 400M450				

Connection

Minimum Cu cable cross-section (mm ²)	95	185	185	2 x 150	2 x 185		
Maximum Cu cable cross-section (mm ²)	240	240	240	2 x 300	2 x 300	4 x 185	4 x 185
Maximum busbar width (mm)	32	45	45	63	63	80	80
Tightening torque min (Nm)	20/26	20/26	20/26	40/45	40/45	40/45	40/45

Mechanical characteristics

Durability (number of operating cycles)	10 000	10 000	10 000	8 000	8 000	5 000	5 000
Weight of 3 P switch (kg)	3.2	4.8	4.8	16	17	25	25
Weight of 4 P switch (kg)	4.5	6.1	6.1	20	21.5	30	30
Weight of 1 P extra (kg)	1.3	1.3	1.3			3	3
Frame pitch (mm)	60	66	66	94	94	120	120

(1) Category with index A = frequent operation - Category with index B = infrequent operation.

(2) With terminal shrouds or terminal screen.

(3) 4-pole device with 2 pole in series by polarity.

(4) The power value is given for information only, the current values vary from one manufacturer to another.

(5) For a rated operational voltage $U_e = 400$ VAC.

* Direct operation switch.

** Please ensure that fuse let through current does not exceed short-circuit capacity of the switch (kA peak).

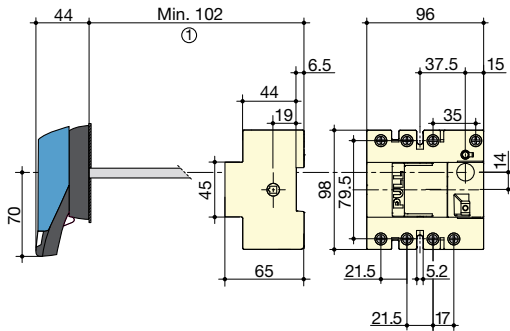
Verify the certification of your product: page 130.

Dimensions

External operation

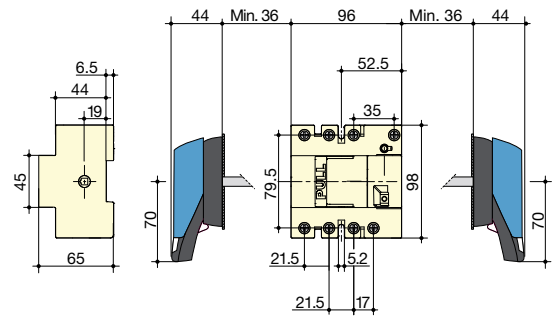
NFC and DIN CD 25 to CD 32 A in size 10 x 38

External front operation



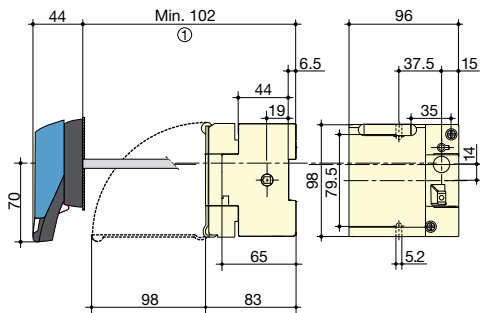
1. With 1 U-type AC: 130 mm.
 With 2 U-type AC: 155 mm.

External side operation



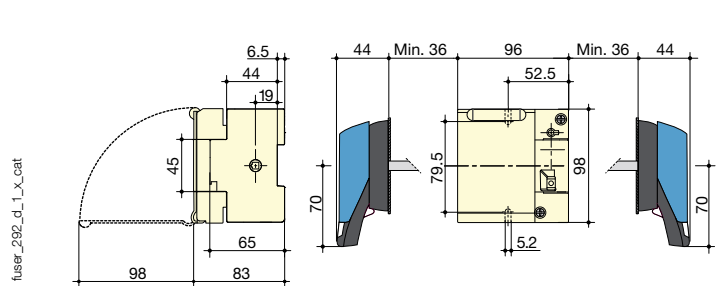
BS88 CD 20 to CD 32 A in size A1 - NFC and DIN 32 A in size 14 x 51

External front operation



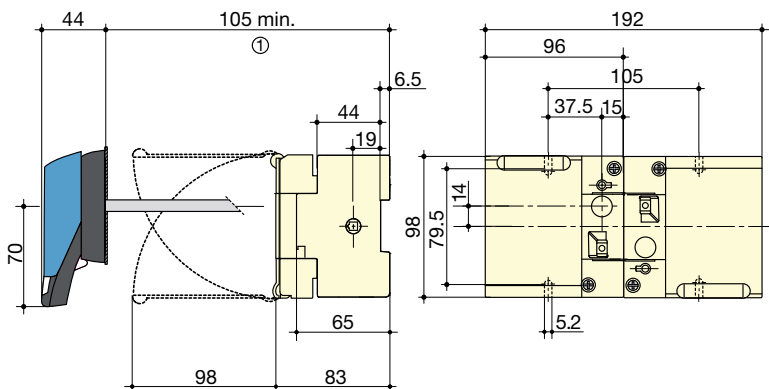
1. With 1 U-type AC: 130 mm.
 With 2 U-type AC: 155 mm.

External side operation



BS88 CD 20 to CD 32 A in size A1 - NFC and DIN 25 to 32 in size 10 x 38 and 14 x 51

External front operation fuse combination changeover



1. With 1 U-type AC: 130 mm
 With 2 U-type AC: 155 mm.

Verify the certification of your product: page 130.

FUSERBLOC

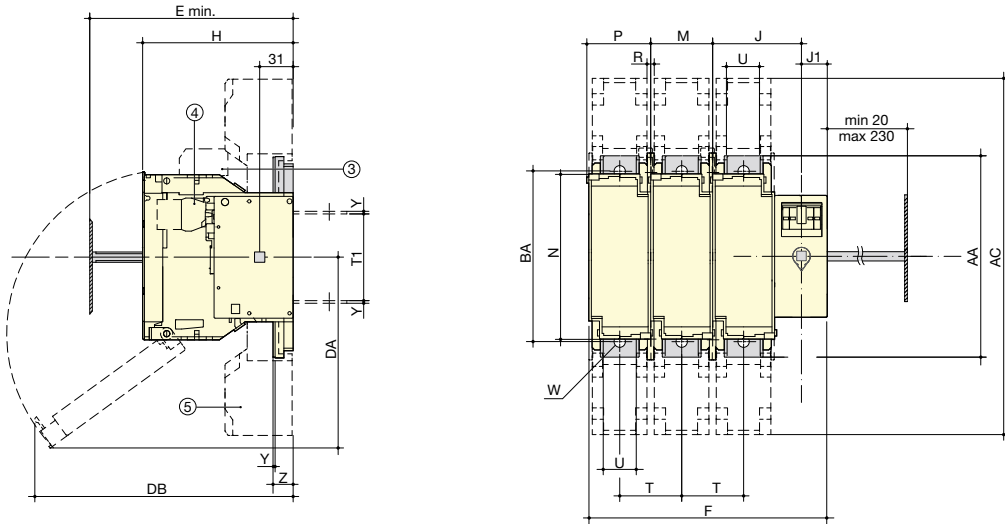
Fuse combination switches

for industrial fuses up to 1250 A

Dimensions (continued)

External operation

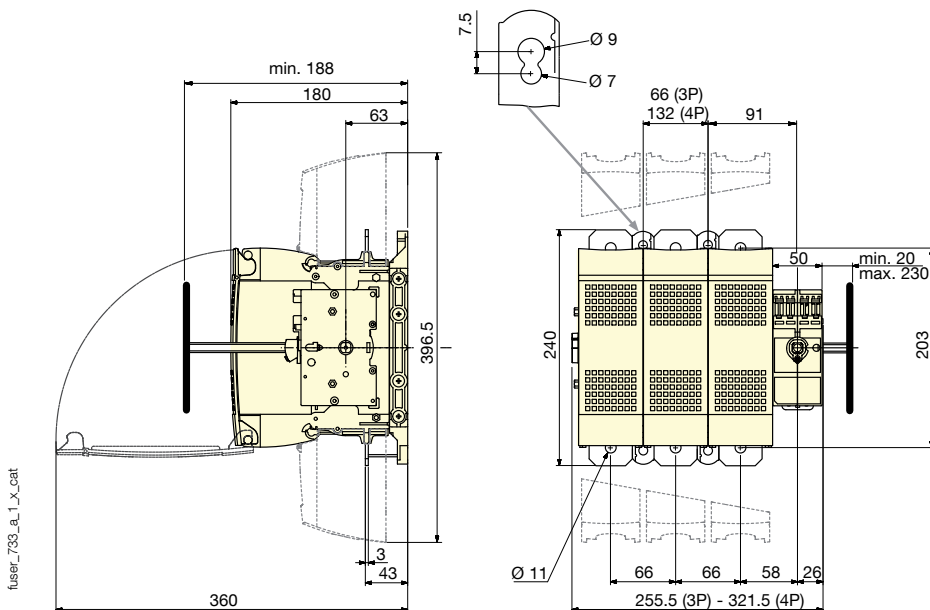
BS88 32 to 250 A - NFC and DIN 50 to 250 A



1. Position TEST.
2. Rear connection (option)
3. 1 or 2 CA type DDMM
4. 1 or 8 CA NO/NC pre-break.
5. Terminal shrouds.

Rating (A)	NFC/DIN Fuse size	BS88 Fuse size	Frame size	Overall dimensions E min	Terminal shrouds AC	Switch body								Switch mounting					Connection						
						F 3p.	F 4p.	H	J	J1	BC	DA	DB	M	N	P	R	T	T1	U	W	Y	Z	AA	BA
32		A1	11	100	-	121	148	87	45	18	70	85	153	27	106	31	6	27	59	12	-	2	-	118	-
50	14 x 51	-	11	100	-	121	148	87	45	18	70	85	153	27	106	31	6	27	59	12	-	2	-	118	-
63	00C	A2-A3	12	125	-	136	168	116	50	18	70	159	145	32	106	36	5.4	32	59	12	-	2	-	118	-
100 125	22x58	A4	13	135	268	148	184	116	54	18	125	141	179	36	127	40	5.4	36	62	20	8.5	2.5	19.5	162	141
125 160	00	-	13	135	268	148	184	126	54	18	125	141	189	36	127	40	5.4	36	62	20	8.5	2.5	19.5	162	141
CD 160 CD 200	-	A3-A4	13A	145	268	148	184	139	54	18	125	141	-	36	130	40	5.4	36	78	18	8.5	3	20	162	141
160	0	A4-B1-B2	14	145	268	190	240	136	64	18	125	174	229	50	140	54	5.4	50	62	20	8.5	2.5	19.5	162	141
200	-	B1-B2	15	154	345	234	294	146	86	25	125	185	251	60	162	64	6.4	60	84	32	11	2.5	19.5	195	166
250	1	B1-B2-B3	15	154	345	234	294	146	86	25	125	185	251	60	162	64	6.4	60	84	32	11	2.5	19.5	195	166

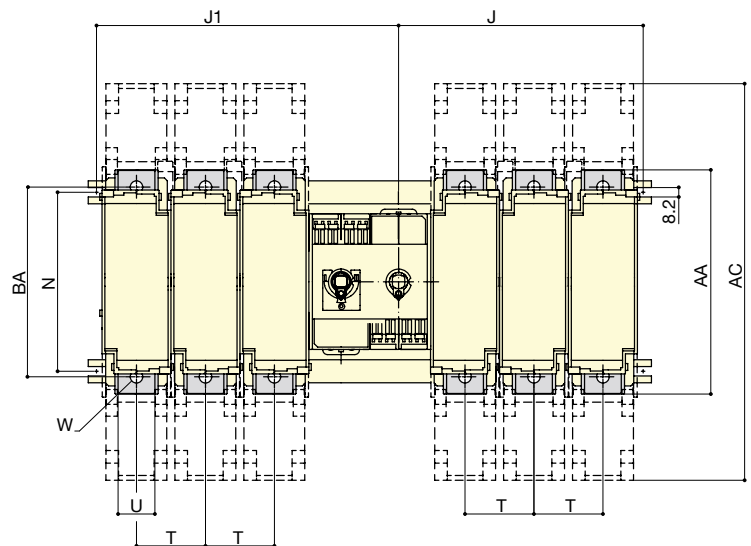
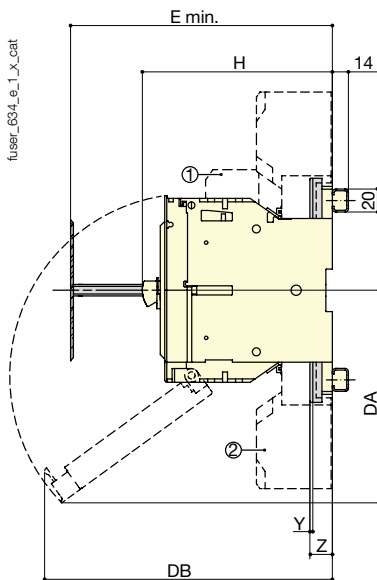
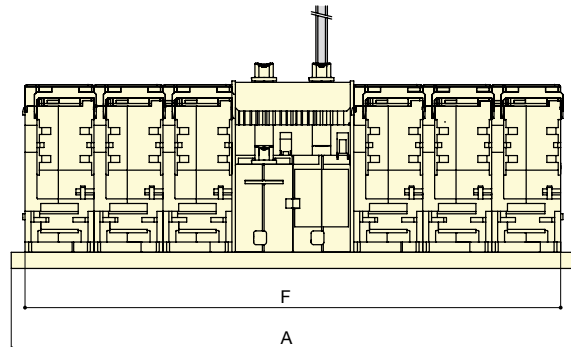
BS88 315 to 400 A (size B1-B2-B3-B4) - DIN 400 A (size 2)



Verify the certification of your product: page 130.

BS88 - External front operation fuse combination changeover

32 to 400 A



A. S1 handle: 32 and 63 A
B. S1 handle: 100 to 400 A
C. Door drilling

1. Fuse blown indication not available for BS88
2. Terminal shrouds

Rating (A)	Fuse size	Frame size	Dimensions				Terminal shrouds	Switch body								Switch mounting		Connection								
			A3 P	A4 P	E min	E max		F3 P	F4 P	H	J3 P	J4 P	J1 3P	J1 4P	DA	DB	N	T	U	W	Y	Z	AA	BA		
32	A1	11	264	318	100 ⁽¹⁾	146 ⁽¹⁾		242	296	87	102	129	138	165	85	153	90	27							118	
63	A2-A3	12	294	358	124	145		272	336	116.5	121	153	157	189	159	145	90	32							118	
100	A4	13	318	390	124	145	268	296	368	116 ⁽²⁾	133	169	169	205	141	179	128	36	20	8.5	2.5	19.5	162	141		
CD 160	A3-A4	13 A	318	390	145	225	268	296	368	139	133	169	169	205			128	36	18	8.5	3	20	162	141		
160	A4	14	402	502	124	225	268	380	480	136.5	176	226	212	262	174	229	128	50	20	8.5	2.5	19.5	162	141		
160	B1-B2	14	402	502	130	225	268	380	480	136.5	176	226	212	262	174	229	128	50	20	8.5	2.5	19.5	162	141		
CD 200	A3-A4	13 A	318	390	145	225	268	296	368	139	133	169	169	205			128	36	18	8.5	3	20	162	141		
200	B1-B2	15	490	610	130	225	345	468	588	146	213	273	263	323	185	251	155	60	32	11	2.5	19.5	195	166		
250	B1-B2-B3	15	490	610	154	225	345	468	588	146	213	273	263	323	185	251	155	60	32	11	2.5	19.5	195	166		
315	B1-B2-B3	16	526	658	154	225	355	504	636	149	231	297	281	347	200	260	168	66	50	11	3	20	205	175		
400	B1-B2-B3-B4	16	526	658	157	225	355	504	636	149	231	297	281	347	200	260	168	66	50	11	3	20	205	175		

(1) 1 AC: + 23.5 mm / 2 AC: + 47 mm.
(2) 132 mm with 2 AC.

Verify the certification of your product: page 130.

FUSERBLOC

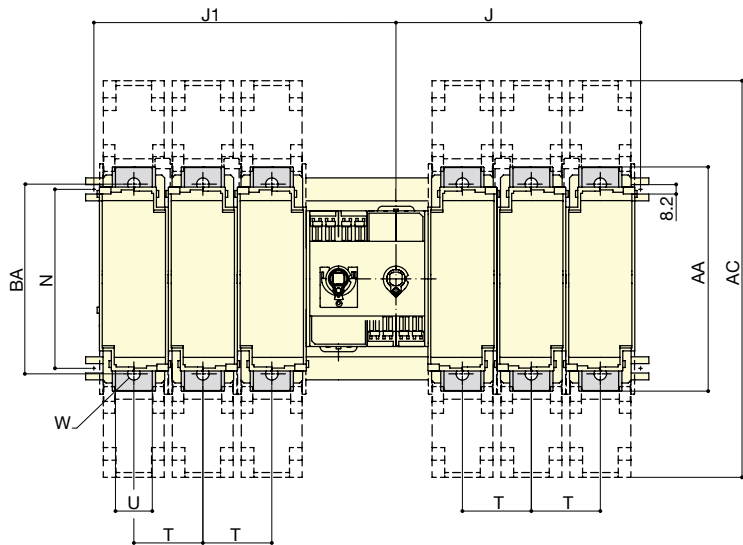
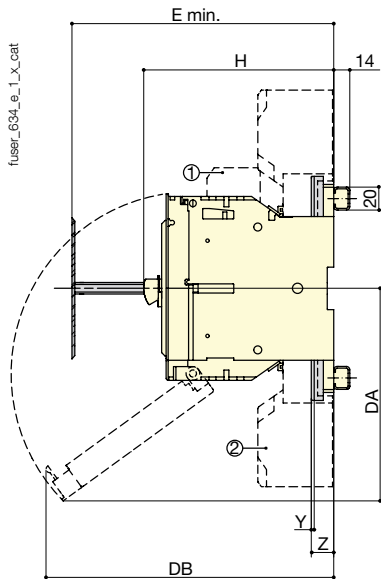
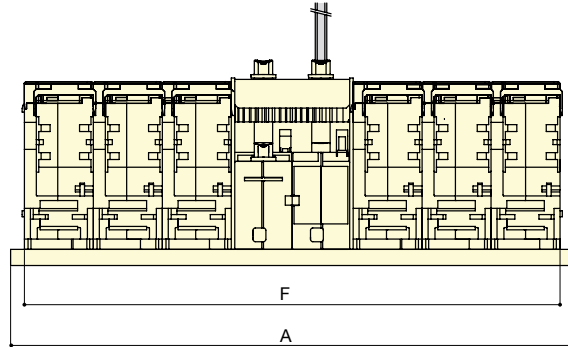
Fuse combination switches

for industrial fuses up to 1250 A

Dimensions (continued)

NFC and DIN - External front operation fuse combination changeover

50 to 400 A



A. S1 handle: 50 and 63 A
 B. S2 handle: 100 to 400 A
 C. Door drilling

1. Fuse blown indication not available for BS88
 2. Terminal shrouds

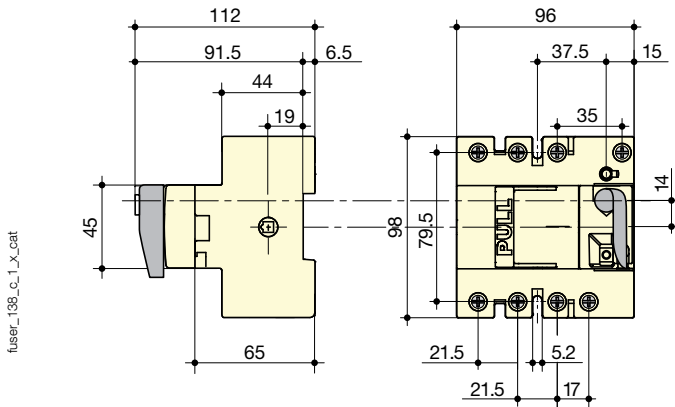
Rating (A)	Fuse size	Frame size	Overall dimensions				Terminal shrouds	Switch body								Switch mounting		Connection							
			A 3p	A 4p	E min	E max		AC	F 3 P	F 4 P	H	J 3 P	J 4 P	J1 3 P	J1 4 P	DA	DB	N	T	U	W	Y	Z	AA	BA
50	14 x 51	11	264	318	100 ⁽¹⁾	146 ⁽¹⁾		121	148	87 ⁽¹⁾	102	129	138	165	85	153	90	27						118	
63	00C	12	294	358	125	145		136	168	116.5 ⁽²⁾	121	153	158	189	159	145	90	32					118		
100	22 x 58	13	318	390	135	145	268	148	184	116 ⁽²⁾	133	169	169	205	141	187	128	36	20	8.5	2.5	19.5	162	141	
125	22 x 58	13	318	390	135	145	268	148	184	116 ⁽²⁾	133	169	169	205	141	179	128	36	20	8.5	2.5	19.5	162	141	
125	00	13	318	390	135	145	268	148	184	126.5	133	169	169	205	141	193	128	36	20	8.5	2.5	19.5	162	141	
160	00	13	318	390	135	145	268	148	184	126.5	133	169	169	205	141	193	128	36	20	8.5	2.5	19.5	162	141	
160	0	14	402	502	145	225	268	190	240	136.5	176	226	212	262	174	229	128	50	20	8.5	2.5	19.5	162	141	
250	1	15	490	610	154	225	345	234	294	146	213	273	263	323	185	251	155	60	32	11	2.5	19.5	195	166	
400	2	16	526	658	157	225	355	252	318	149	231	297	281	347	200	260	168	66	50	11	3	20	205	175	

(1) 1 AC: +23.5 / 2 AC: +47
 (2) 132 with 2 AC

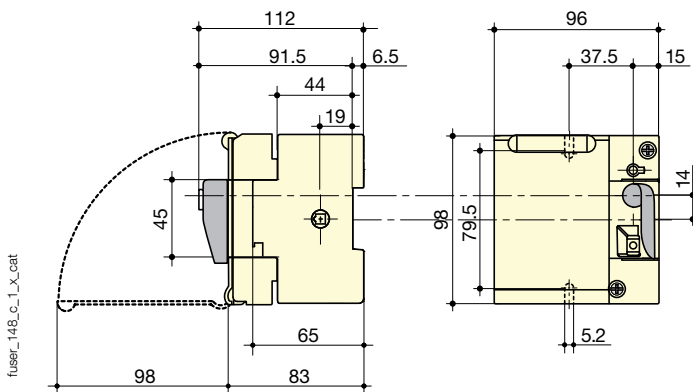
Verify the certification of your product: page 130.

Direct operation

NFC CD 25 to CD 32 A in frame size 0 / fuse size 10 x 38



BS88 CD 20 to CD 32 A in frame size 0 / fuse size A1 - NFC CD 32 A in frame size 0 / fuse size 14 x 51



Verify the certification of your product: page 130.

FUSERBLOC

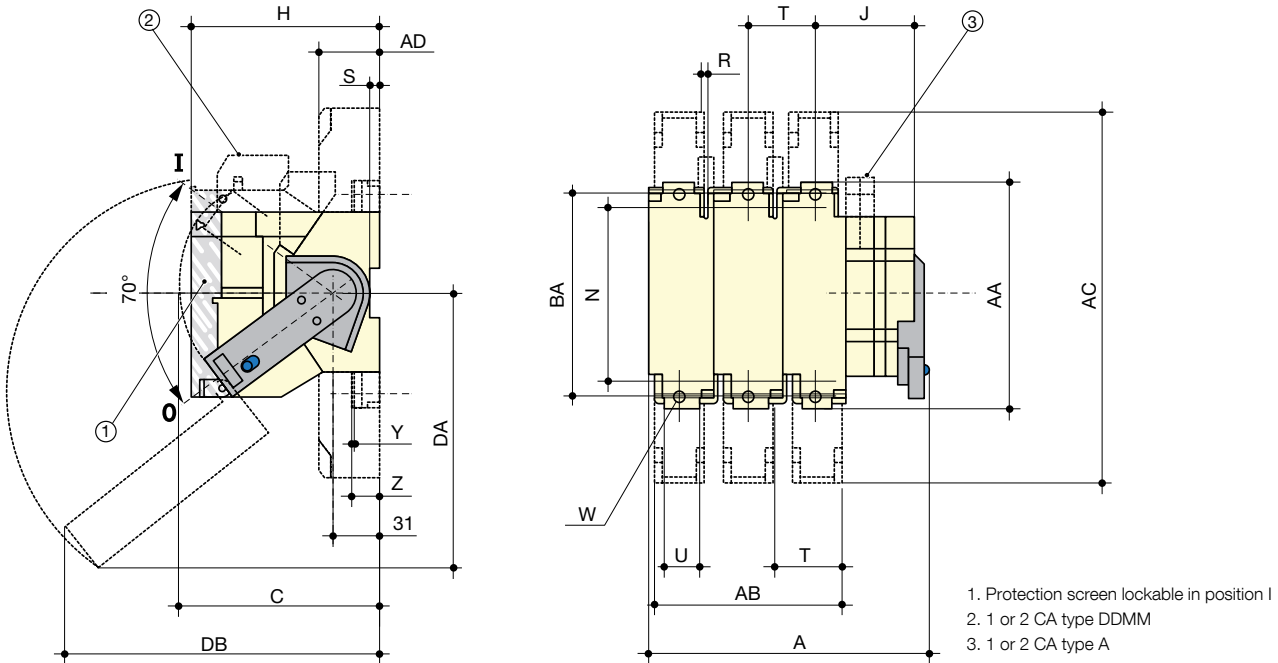
Fuse combination switches

for industrial fuses up to 1250 A

Dimensions (continued)

Direct operation (continued)

BS88 32 to 400 A - NFC and DIN 50 to 400 A



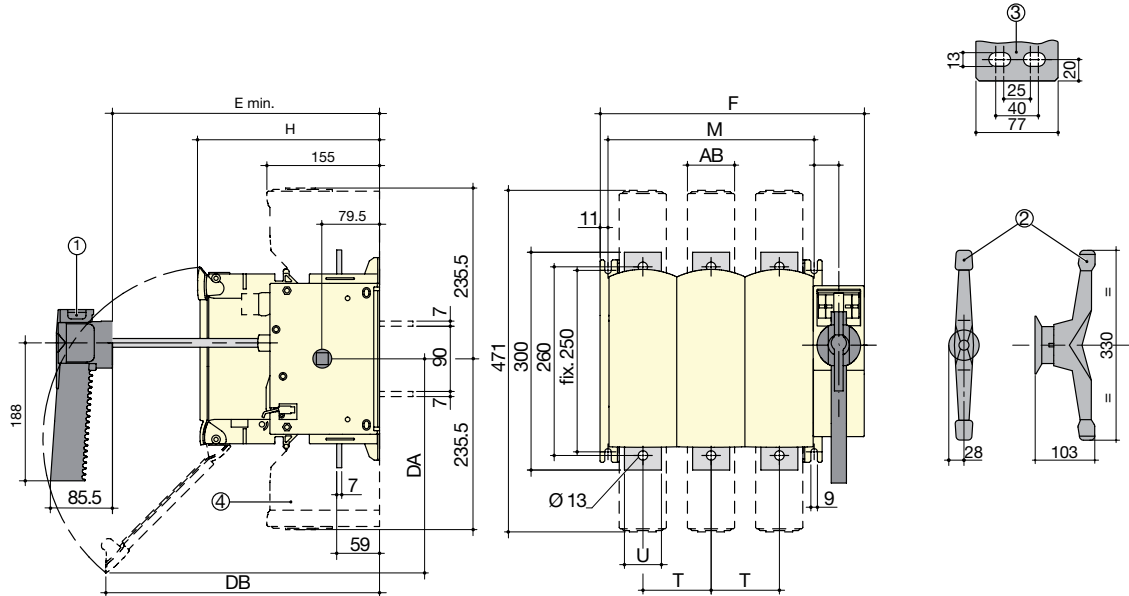
fuser_064_b_1_LX_cat

Rating (A)	NFC/DIN Fuse size	BS88 Fuse size	Frame size	Overall dimensions			Terminal shrouds				Switch body				Switch mounting				Connection					
				A 3p.	A 4p.	C	AB 3p.	AB 4p.	AC	AD	H	J	DA	DB	N	R	S	T	U	W	Y	Z	AA	BA
32	-	A1	1	118	145	134	-	-	-	-	87	33.5	-	-	106	5.4	6.5	27	-	-	-	-	118	-
50	14 x 51	-	1	118	145	134	-	-	-	-	87	33.5	-	-	106	5.4	6.5	27	-	-	-	-	118	-
63	00C	A2-A3	2	133	165	134	-	-	-	-	116	36	159	145	106	5.4	6.5	32	-	-	-	-	118	-
100	22 x 58	A4	3	150	186	173	108	144	268	44	116	38	-	-	127	5.4	-	36	20	8.5	2.5	19.5	162	141
125	22 x 58	-	3	150	186	173	108	144	268	44	116	38	-	-	127	5.4	-	36	20	8.5	2.5	19.5	162	141
125	00	-	3	150	186	173	108	144	268	44	126	38	141	193	127	5.4	-	36	20	8.5	2.5	19.5	162	141
160	00	-	3	150	186	173	108	144	268	44	126	38	141	189	127	5.4	-	36	20	8.5	2.5	19.5	162	141
CD 160	-	A3-A4	3A	152	188	173	108	144	268	44	139	38	-	-	130	5.4	-	36	20	8.5	3	19.5	162	141
160	-	A4	4	192	242	173	136	172	268	44	136	45	174	229	140	5.4	-	50	20	8.5	2.5	19.5	162	141
160	0	B1-B2	4	192	242	173	136	172	268	44	136	45	174	229	140	5.4	-	50	20	8.5	2.5	19.5	162	141
CD 200	-	A3-A4	3A	152	188	173	108	144	268	44	139	38	-	-	30	5.4	-	36	20	8.5	3	19.5	162	141
200	-	B1-B2	5	253	313	173	180	240	345	65	146	81	185	251	162	6.4	-	60	32	11	2.5	19.5	195	166
250	1	B1-B2-B3	5	253	313	173	180	240	345	65	146	81	185	251	162	6.4	-	60	32	11	2.5	19.5	195	166
315	-	B1-B2-B3	6	253	313	173	180	240	355	65	146	81	185	251	162	6.4	-	66	32	11	2.5	19.5	195	175
400	2	B1-B2-B3-B4	6	271	337	173	192	258	355	65	149	86	200	260	172	6.4	-	66	50	11	3	20	205	175

Verify the certification of your product: page 130.

External and direct operation

BS88 630 to 800 A - DIN 630 to 1250 A



1. For handle frame size 17.
2. For handle frame size 18.
3. Connection terminals for frame size 18.
4. Terminal shrouds.

Rating (A)	DIN Fuse size	BS88 Fuse size	Frame size	Overall dimensions		Switch body					Switch mounting		Connection		Terminal shrouds
				E min	F 3p.	F 4p.	H	DA	DB	M 3p.	M 4p.	T	U	AB	
630	3	C1-C2	17	265	364	458	250	300	380	284	378	94	51	65	
800	3	C1-C2-C3	17	265	364	458	250	300	380	284	378	94	51	65	
800	4	-	18	304	442	562	289	355	295	362	482	120	77	88	
1250	4	D1	18	304	442	562	289	355	295	362	482	120	77	88	

Verify the certification of your product: page 130.

FUSERBLOC

Fuse combination switches

for industrial fuses up to 1250 A

Dimensions for external operation handles

BS88 - 32 to 63 A - NFC and DIN - 25 to 63 A

Handle type	Front operation		Side operation	
	Direction of operation	Door drilling	Direction of operation	Door drilling
S1 type Box size 0 				

fuser_712_a_1_gb_cat

BS88 / NFC and DIN - 100 to 400 A

Handle type	Front operation		Side operation	
	Direction of operation	Door drilling	Direction of operation	Door drilling
S2 type Box size 11-16 				

fuser_713_a_1_gb_cat

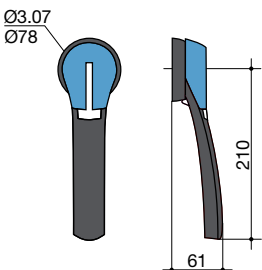
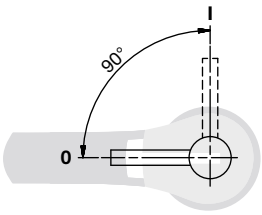
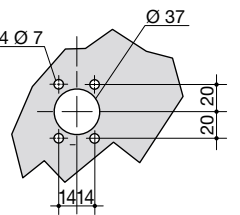
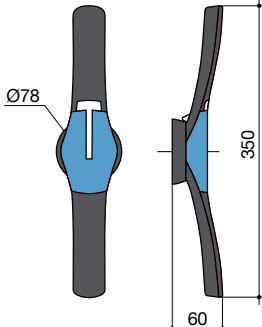
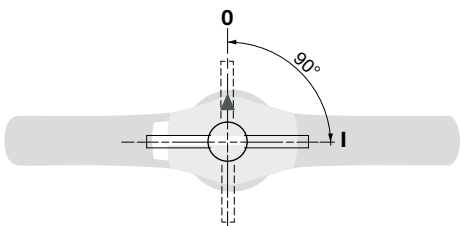
BS88 / NFC and DIN - 630 to 800 A

Handle type	Front operation		Side operation	
	Direction of operation	Door drilling	Direction of operation	Door drilling
S3 type Box size 17 				

fuser_714_a_1_gb_cat

Verify the certification of your product: page 130.

BS88 / NFC and DIN - 800 to 1250 A

Handle type	Front operation Direction of operation	Side operation Direction of operation	Door drilling
<p>S3 type Box size 18</p> 			
<p>S4 type</p> 			

fuser_715_a_1_gb_cat



RM and RMS

Fuse disconnect switches

for industrial and high speed (uR) cylindrical fuses up to 125 A

Fuse protection



The solution for

- > Small outputs

Strong points

- > Improved safety
- > High breaking capacity
- > Specific format and accessory
- > Label holder

Large range

- > Pre-break, please consult us

Compliance with standards

- > IEC 60269-2,-1
- > IEC 60269-1
- > IEC 60269-2
- > NF EN 60269-1
- > NF C 63-210
- > NF C 63211
- > VDE 0636-10
- > DIN 43620
- > CSA 265615
- > UL E307648



Approvals and certifications⁽¹⁾



(1) Product reference on request.

Function

RM and **RMS** are modular fuse disconnect switches for cylindrical fuses. They provide safety disconnection and protection against overloads and short-circuits in any low voltage electrical circuit.

- RM: Non-signalling fuse disconnect switches for fuses without strikers.
- RMS: Fuse disconnect switches with pre-break auxiliary contact, position and blown indication.

Advantages

Improved safety

- Omnipolar and simultaneous breaking.
- High dielectric strength. IP2X protection.

Specific format and accessory

- Modular 45-mm cut-out.
- Interlocking with accessory possible.

High breaking capacity

Protection against overloads and short-circuits thanks to high breaking capacity fuses (100 kA rms).

Verify the certification of your product: page 130.

References

RM - Non-signalling device

Basic device Fuse size	32 A ⁽¹⁾ 10 x 38		50 A ⁽²⁾ 14 x 51		100 A ⁽²⁾ 22 x 58	
	To be ordered in multiples of	Reference	To be ordered in multiples of	Reference	To be ordered in multiples of	Reference
No. of poles						
1 P	12	5701 0015	6	5702 5001	6	5703 5001
1 P + N (1 module)	12	5601 5005				
1 P + N (2 modules)	6	5701 0017	3	5702 5005	3	5703 5005
1 P LED signalling	12	5701 0011	6	5702 0011	6	5703 0011
2 P	6	5701 0020	3	5702 5002	3	5703 5002
3 P	4	5701 0018	2	5702 5003	2	5703 5003
3 P + N	3	5701 0019	1	5702 5004	1	5703 5004
4 P			1	5702 5006	1	5703 5006
N	12	5701 0016	6	5702 5000	6	5703 5000

(1) Devices are cURus and CSA-certified, except 5601 5005.

(2) Devices are cURus-certified.

RMS - Device with 1 signalling auxiliary contact (AC) ⁽¹⁾

Basic device Fuse size	50 A ⁽²⁾ 14 x 51		100 A ⁽²⁾ 22 x 58	
	To be ordered in multiples of	Reference	To be ordered in multiples of	Reference
No. of poles				
1 P	6	5702 5011	6	5703 5011
2 P	3	5702 5012	3	5703 5012
3 P	2	5702 5013	2	5703 5013
3 P + N	1	5702 5014	1	5703 5014
4 P	1	5702 5016	1	5703 5016

(1) The signalling auxiliary contact provides the pre-break, the fuse presence and also blown fuse signal.

(2) Devices are cURus-certified.

Accessories

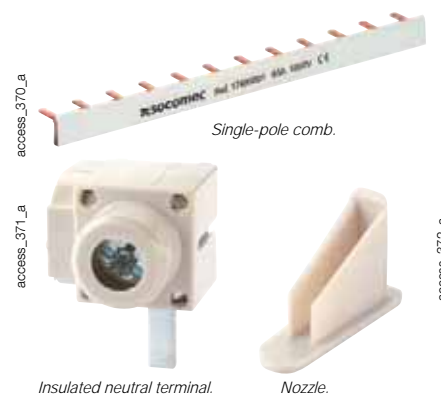
Connection accessories for RM 32 A 10 x 38

Comb bridging connection

Designation	Cross-section (mm ²)	Reference
Unipolar comb with 12 modules	10	1749 0001
Unipolar comb with 13 modules	10	1749 0011
Unipolar comb with 57 modules	10	1749 0021
Unipolar comb with 12 modules	16	1749 0031
Unipolar comb with 13 modules	16	1749 0041
Unipolar comb with 57 modules	16	1749 0051
Nozzle		1749 8001

Connection terminals

Designation	Reference
Insulated neutral terminal for a 6 to 25-mm ² cable, side input	1749 9001
Insulated neutral terminal for a 6 to 50-mm ² cable, side input	1749 9002
Fully insulated power feed terminal for a 6 to 25-mm ² cable, side input	1749 9003
Right/left insulated terminal, 6 x 25 mm ²	1749 9004



Something to think about



10x38 RMs equipped with 0.5A gG fuses provide effective protection for voltage inputs and auxiliary power supplies for all our electronic devices (DIRIS, COUNTIS, ISOM, RESYS differential relays, etc...)

Verify the certification of your product: page 130.

RM and RMS

Fuse disconnect switches

for industrial and high speed (uR) cylindrical fuses up to 125 A

Accessories (continued)

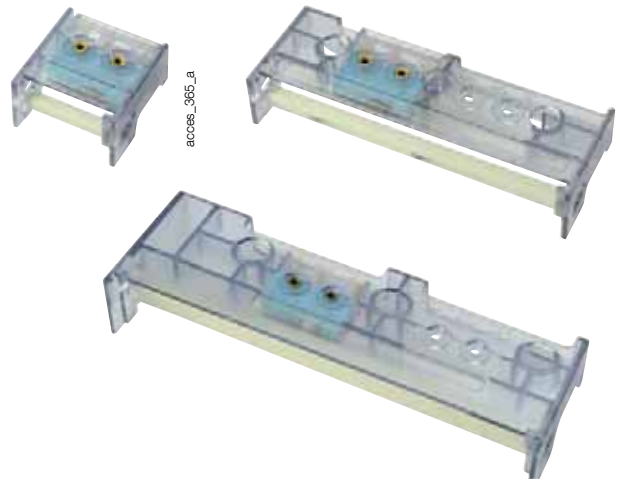
Auxiliary contact

Use

- 1 or 2 NO/NC auxiliary contacts:
- Pre-break, fuse presence and fuse blown signalling for RMS 50 and 100.
- Fuse blown signalling for RM 50 and 100.

Connection

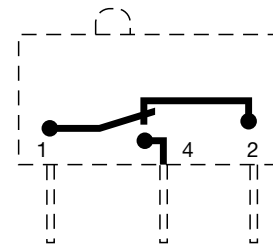
By 6.35 mm fast-on terminal.



Characteristics	Contact type	Operating current I _o (A) 250 VAC AC-13
Rating (A) 50 ... 100	NO/NC contact	2.5
50 ... 100	Two-level NO/NC contact	0.1

References	NO/NC contact	Reference
Rating (A)	Contact	
50	1 P with 1 AC	5702 9901
50	3 P with 1 AC	5702 9903
50	3 P with 2 AC	5702 9030
100	1 P with 1 AC	5703 9901
100	3 P with 1 AC	5703 9903
100	3 P with 2 AC	5703 9030

Low level NO/NC auxiliary contact	Contact	Reference
Rating (A)	Contact	
50	1 P with 1 AC	5702 9911
50	3 P with 1 AC	5702 9913
100	1 P with 1 AC	5703 9911
100	3 P with 1 AC	5703 9913



Key handle interlocking system

Use

Padlocking of the handle (padlock not supplied).

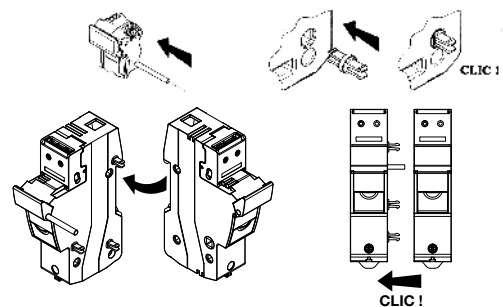
For RM and RMS	Quantity (units)	Reference
Rating (A)		
32	5	5701 9040
50	5	5702 9040
100	5	5703 9040



Coupling system for RM

For RM and RMS	Quantity (units)	Reference
Rating (A)		
32	12	5704 0003 ⁽¹⁾
50 ... 100	12	5702 9020 ⁽¹⁾

⁽¹⁾ One coupling device allows to link two RM/RMS. Also sold in bags containing separate components (bags of 100 pieces) for assembling larger quantities. Contact us



Reinforced insulation kit

Rating (A)	Reference
32	5701 9010 ⁽¹⁾

⁽¹⁾ 1 reference = 1 set of 10 couplings.



Verify the certification of your product: page 130.

Characteristics according to IEC 60269-2

32 to 100 A

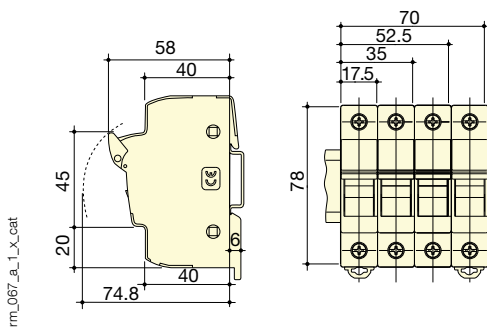
Thermal current I_{th} (20°C)	32 A	50 A	100 A
Fuse size	10 x 38	14 x 51	22 x 58
Rated insulation voltage U_i (V)	690	690	690
Fuse rating (A)			
at 400 VAC	32	50	125
at 500 VAC	32	50	125
at 690 VAC		50	125
gG fuse protected short-circuit withstand			
Prospective short-circuit current (kA rms.) ⁽¹⁾	100	100	100
Design current derating coefficient for N poles side by side			
N = 1 ... 3	1	1	1
N = 4 ... 6	0.8	0.8	0.8
N = 7 ... 9	0.7	0.7	0.7
N ≥ 10	0.6	0.6	0.6
Design current derating coefficient depending on the temperature			
20°C	1	1	1
30°C	0.95	0.95	0.95
40°C	0.90	0.90	0.90
50°C	0.80	0.80	0.80
60°C	0.70	0.70	0.70
70°C	0.60	0.60	0.60
Connection			
Minimum Cu cable cross-section (mm ²), for rigid or flexible cables	0.75	0.75	0.75
Maximum Cu cable cross-section (mm ²), rigid/flexible cables	25/16	35/25	50/35
Maximum Cu cable cross-section (mm ²), rigid/flexible cables ⁽²⁾	16/10		
Tightening torque	2.5	3	5
Dimensional data			
Weight of 1 P / N (kg)	0.057 / 0.06	0.1	0.155
Weight of 1 P + N (kg)	0.117	0.215	0.327
Weight of 3 P + N (kg)	0.229	0.415	0.632

(1) For a rated operational voltage $U_o = 400$ VAC.

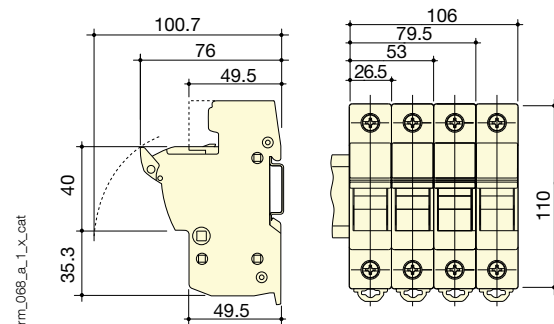
(2) Connection for RM32 1 P + N (1 module).

Dimensions

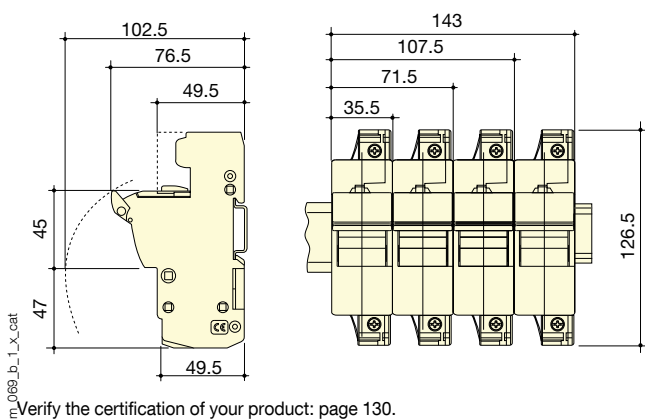
RM 32 A



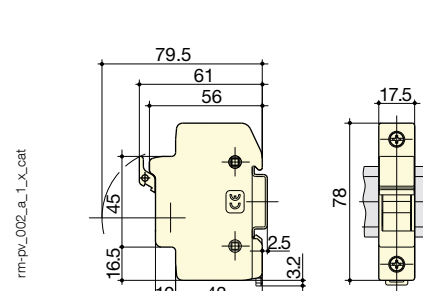
RM / RMS 50 A unipolar and multipolar



RM / RMS 100 A unipolar and multipolar



RM 32 A Ref.: 5601 5005



Verify the certification of your product: page 130.



SIRCOVER

Manually operated Transfer Switching Equipment
from 125 to 3200 A

Transfer switches



SIRCOVER
250 A



SIRCOVER Bypass
500 A

The solution for

- > Manufacturing
- > Power distribution



Strong points

- > Complete range
- > Easy to connect
- > Stable positions
- > On-load switching

Conformity to standards

- > IEC 60947-6,-1
- > IEC 60947-3
- > GB 14048-11



Approvals and certifications⁽¹⁾



BUREAU
VERITAS

⁽¹⁾ Product references on request.

Function

SIRCOVER products are manually operated transfer switches with positive break indication.

There are 3 ranges in the series:

- **SIRCOVER** for open transition switching (I-0-II) available in 3 or 4 pole,
- **SIRCOVER** for overlapping contact switching (I-I+II-II). For applications where both sources are synchronised and there is to be no interruption to the load supply during transfer - available in 3 or 4 pole.
- **SIRCOVER Bypass**. This combination of three interlocked load break switches provides 3+6 or 4+8 poles for bypass applications.

They provide on-load transfer between two sources for any low voltage power circuit, as well as safety isolation by double breaking per pole. Other applications include source inversion (e.g. to change the direction of a motor) or grounding/earthing.

Advantages

A complete range

There are 3 SIRCOVER models to meet every need: The standard model I-0-II, the overlapping contact model I-I+II-II and the Bypass model.

Easy to connect

For ratings of 2000 to 3200 A, we offer copper bar connection pieces. This gives you the option of different connection methods - flat, edgewise with top or bottom bridging.

Stable positions

SIRCOVER devices have three stable positions, unaffected by voltage fluctuations and vibrations, protecting your loads from network disturbances.

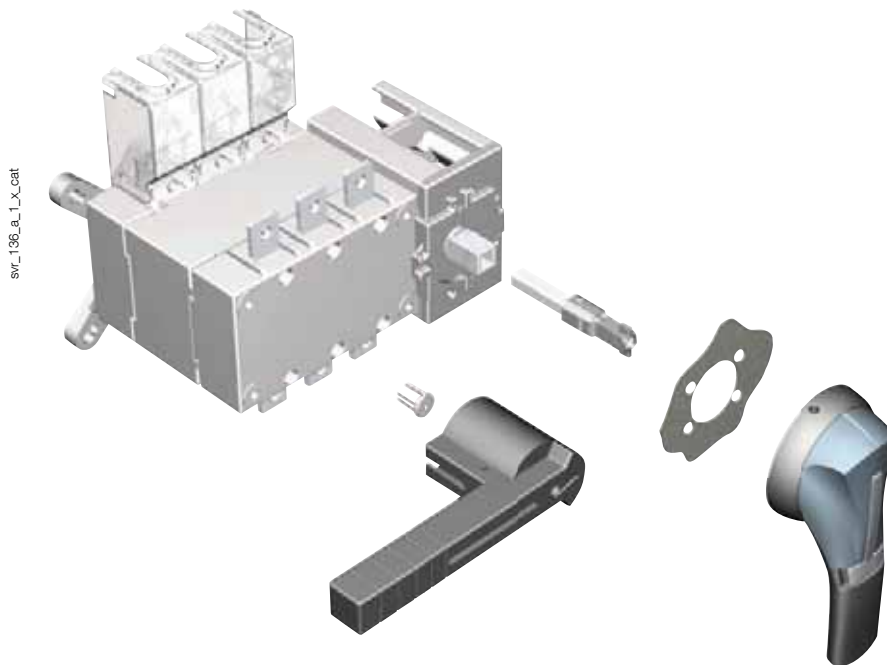
On-load switching

With its AC-23 and AC-33 characteristics, tested according to standards IEC 60947-3 and IEC 60947-6-1, the SIRCOVER enables safe on-load switching for any type of load. With its on-load transfer capabilities, it is not necessary to isolate loads prior to transfer therefore the SIRCOVER offers an economical solution.

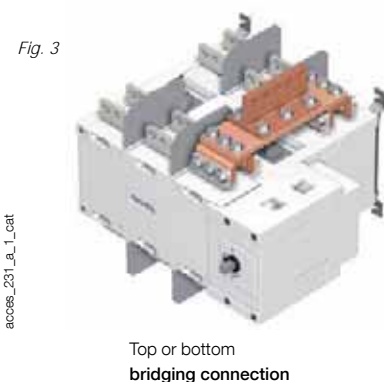
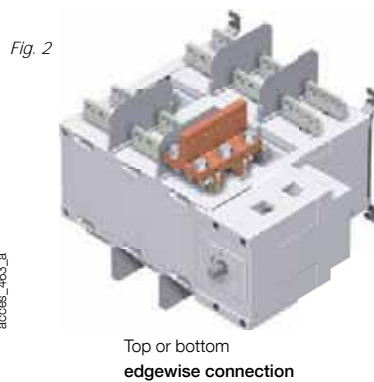
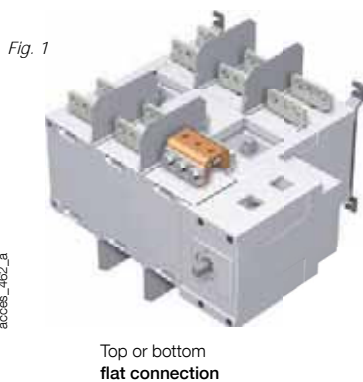
Verify the certification of your product: page 130.

What you need to know

- SIRCOVER (I-0-II) switches have **3 stable positions** and are available as 3 or 4 pole models with ratings of 63 to 3200 A. They are available in steel or polyester enclosures (125 to 1600 A).
- SIRCOVER switches with **3 overlapping contact positions (I-I+II-II)** are available as 3 or 4 pole models from 125 to 1600 A. They are available in steel enclosures.
- With **3 stable positions (I-0-II)**, SIRCOVER Bypass devices are a combination of three interlocked switches enabling the use with 3+6 or 4+8 poles from 125 to 1600 A. They are available in steel enclosures.
- All SIRCOVER can be operated with **direct front operation** or **external handles**.



- **Connection pieces for copper bars** allows the connection between the 2 power terminals of the same pole (Fig. 1 and 2) and the bridging of switch I and switch II on the top or the bottom for ratings 2000, 2500 and 3200 A (Fig. 3).



Verify the certification of your product: page 130.

SIRCOVER

Manually operated Transfer Switching Equipment
from 125 to 3200 A

References

SIRCOVER I-0-II

Rating (A) / Frame size	No. of poles	Switch body	Direct handle	External handle	Shaft for external handle	Bridging bars	Auxiliary contact	Terminal shrouds	Terminal screens
125 A / B3	3 P	41AC 3013	J2 type Blue 1122 1111 Red 1123 1111	S2 type Black IP55 1421 2113 Black IP65 1423 2113 ⁽¹⁾	200 mm 1400 1020 320 mm 1400 1032 ⁽¹⁾	3 P 4109 3019 4 P 4109 4019	1 st /2 nd NO/NC contact 4109 0021 ⁽²⁾	3 P 2694 3014 ⁽³⁾⁽⁴⁾ 4 P 2694 4014 ⁽³⁾⁽⁴⁾	3 P 1509 3012 4 P 1509 4012
	4 P	41AC 4013							
160 A / B3	3 P	41AC 3016							
	4 P	41AC 4016							
200 A / B3	3 P	41AC 3020							
	4 P	41AC 4020							
250 A / B4	3 P	41AC 3025							
	4 P	41AC 4025							
315 A / B4	3 P	41AC 3031							
	4 P	41AC 4031							
400 A / B4	3 P	41AC 3040							
	4 P	41AC 4040							
500 A / B5	3 P	41AC 3050							
	4 P	41AC 4050							
630 A / B5	3 P	41AC 3063							
	4 P	41AC 4063							
800 A / B6	3 P	41AC 3080							
	4 P	41AC 4080							
1000 A / B6	3 P	41AC 3100							
	4 P	41AC 4100							
1250 A / B6	3 P	41AC 3120							
	4 P	41AC 4120							
1600 A / B7	3 P	41AC 3160							
	4 P	41AC 4160							
2000 A / B8	3 P	41AC 3200							
	4 P	41AC 4200							
2500 A / B8	3 P	41AC 3250							
	4 P	41AC 4250							
3200 A / B8	3 P	41AC 3320							
	4 P	41AC 4320							
1000 A / B6	3 P	41AC 3100	C1 type Black 2799 7052	S4 type Black IP65 1443 3113	200 mm 1401 1520 320 mm 1401 1532 ⁽¹⁾	3 P 4109 3080 3 P 4109 4080			3 P 1509 3080 4 P 1509 4080
	4 P	41AC 4100							
1250 A / B6	3 P	41AC 3120							
	4 P	41AC 4120							
1600 A / B7	3 P	41AC 3160							
	4 P	41AC 4160							
2000 A / B8	3 P	41AC 3200							
	4 P	41AC 4200							
2500 A / B8	3 P	41AC 3250							
	4 P	41AC 4250							
3200 A / B8	3 P	41AC 3320							
	4 P	41AC 4320							
2000 A / B8	3 P	41AC 3200	S5 type Black 2799 7042	S5 type Black IP65 1453 8113	200 mm 2799 3015 320 mm 2799 3018 ⁽¹⁾ 450 mm 2799 3019	(5)	1 st and 2 nd NO/NC contact included		included
	4 P	41AC 4200							
2500 A / B8	3 P	41AC 3250							
	4 P	41AC 4250							
3200 A / B8	3 P	41AC 3320							
	4 P	41AC 4320							

(1) Standard.

(2) 2 contacts supplied: one for position I and one for position II.

(3) To fully shroud the front and rear at the top and bottom, order quantity 4.

(4) To shroud front switch top and bottom, order quantity 2.

(5) See "Copper bar connection pieces" page 71.

Also available

SIRCOVER I-I+II-II

From 125 to 1600 A: with these manual changeover switches you can transfer a normal source to a backup source without any interruption. All you have to do is ensure that both sources are synchronised.

References: 46AC XYYY

X = number of poles	Y = rating (A)	
3 : 3 poles	013 : 125	050 : 500
4 : 4 poles	016 : 160	063 : 630
	020 : 200	080 : 800
	025 : 250	100 : 1000
	031 : 315	120 : 1250
	040 : 400	160 : 1600

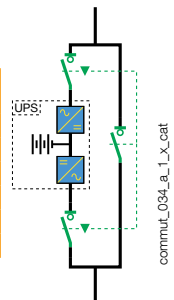
SIRCOVER Bypass

From 125 to 1600 A: with these manual changeover switches you can isolate then switch a backup power supply, such as a UPS, using 3 interlocking load break switches assembled into one very compact device.

There are two bypass models, one with open transition switching and the other with contact overlapping.

References: 4ZAC XYYY

Z = switching type	X = number of poles	Y = rating (A)	
1 : I-0-II	7 : 3+6 poles	013 : 125	050 : 500
6 : I-I+II-II	9 : 4+8 poles	016 : 160	063 : 630
		020 : 200	080 : 800
		025 : 250	100 : 1000
		031 : 315	120 : 1250
		040 : 400	160 : 1600



Verify the certification of your product: page 130.

Accessories

Direct operation handle

SIRCOVER I-0-II and I-I+II-II				
Rating (A)	Frame size	Handle colour	Handle type	Reference
125 ... 630	B3 ... B5	Blue	J2	1122 1111
125 ... 630	B3 ... B5	Red	J2	1123 1111
800 ... 1600	B6 ... B7	Black	C1	2799 7052
2000 ... 3200	B8	Black	S5	2799 7042 ⁽¹⁾

SIRCOVER Bypass				
Rating (A)	Frame size	Handle colour	Handle type	Reference
125 ... 200	B3	Blue	J2	1122 1111
250 ... 630	B4 ... B5	Black	C1	2799 7052
800 ... 1600	B6 ... B7	Black	C2	2799 7012 ⁽¹⁾

(1) Double lever handle.



External operation handle

Use

Door interlocked external front operation handles include an escutcheon, are padlockable and must be utilised with an extension shaft.

SIRCOVER I-0-II and I-I+II-II					
Rating (A)	Frame size	Switching type	External IP ⁽¹⁾	Handle type	Reference
125 ... 630	B3 ... B5	I - 0 - II	IP55	S2	1421 2113
125 ... 630	B3 ... B5	I - 0 - II	IP65	S2	1423 2113
125 ... 630	B3 ... B5	I - I+II - II	IP65	S2	1423 2114
800 ... 1600	B6 ... B7	I - 0 - II	IP65	S4	1443 3113 ⁽²⁾
800 ... 1600	B6 ... B7	I - I+II - II	IP65	S4	1443 3114 ⁽²⁾
2000 ... 3200	B8	I - 0 - II	IP65	S5	1453 8113 ⁽²⁾

(1) IP: protection index according to IEC 60529.

(2) Double lever handle.

SIRCOVER Bypass					
Rating (A)	Frame size	Switching type	External IP ⁽¹⁾	Handle type	Reference
125 ... 200	B3	I - 0 - II	IP55	S2	1421 2113
125 ... 200	B3	I - 0 - II	IP65	S2	1423 2113
250 ... 630	B4 ... B5	I - 0 - II	IP65	S3	1433 3113
800 ... 1600	B6 ... B7	I - 0 - II	IP65	V2	4199 7146

(1) IP: protection index according to IEC 60529.



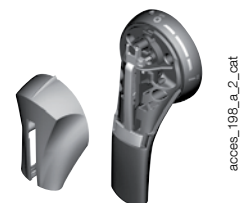
Alternative S type handle cover colours

Use

For single lever handles S2, S3 and for double lever handle S4.

Other colours available: consult us.

Colour	To be ordered in multiples of	Handle type	Reference
Light grey	50	S2, S3	1401 0001
Dark grey	50	S2, S3	1401 0011
Light grey	50	S4	1401 0031
Dark grey	50	S4	1401 0041



S type handle adapter

Use

Enables S type handles to be fitted in place of existing older style SOCOMEC handles. Adapter can also be utilised as a spacer to increase the distance between the panel door and the handle lever.

Dimensions

Add 12 mm to the handle depth.

Colour	To be ordered in multiples of	External IP ⁽¹⁾	Reference
Black	1	IP65	1493 0000

(1) IP: protection index according to IEC 60529.

Verify the certification of your product: page 130.



SIRCOVER

Manually operated Transfer Switching Equipment
from 125 to 3200 A

Accessories (continued)

Shaft guide for external operation

Use

For use with S type handles, to guide the shaft extension into the external handle.

This accessory enables the handle to engage the extension shaft with a misalignment of up to 15 mm.

Recommended for a shaft length over 320 mm.



access_260_a_2_cat

Designation	Reference
Shaft guide	1429 0000

Shaft for external operation

Use

Standard lengths:

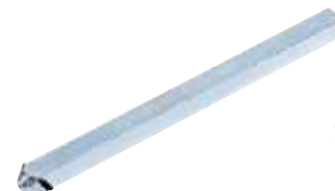
- 200 mm,
- 320 mm,
- 450 mm.

Other lengths available: consult us.



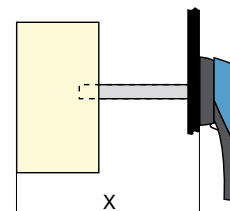
access_369_a_1_cat

SIRCOVER I-0-II and I-I+II-II Rating (A)	Frame size	Length (mm)	Side X (mm)	Reference
125 ... 400	B3 ... B4	200	210 ... 310	1400 1020
125 ... 400	B3 ... B4	320	210 ... 430	1400 1032
500 ... 630	B5	200	280 ... 390	1400 1020
500 ... 630	B5	320	280 ... 510	1400 1032
800 ... 1600	B6 ... B7	200	425 ... 577	1401 1520
800 ... 1600	B6 ... B7	320	425 ... 697	1401 1532
2000 ... 3200	B8	200	653 ... 803	2799 3015
2000 ... 3200	B8	320	653 ... 923	2799 3018
2000 ... 3200	B8	450	653 ... 1053	2799 3019



access_144_b_1_cat

SIRCOVER Bypass Rating (A)	Frame size	Length (mm)	Side X (mm)	Reference
125 ... 200	B3	200	320 ... 450	1400 1020
125 ... 200	B3	320	320 ... 570	1400 1032
250 ... 400	B4	200	298 ... 420	1401 1520
250 ... 400	B4	320	298 ... 540	1401 1532
500 ... 630	B5	200	417 ... 539	1401 1520
500 ... 630	B5	320	417 ... 659	1401 1532
800 ... 1600	B6 ... B7	200	550 ... 680	2799 3015
800 ... 1600	B6 ... B7	320	550 ... 800	2799 3018
800 ... 1600	B6 ... B7	450	550 ... 930	2799 3019



access_202_a_1_X_cat

Bridging bars

Use

For creating a common connection between switches I & II, on the top or bottom side of the SIRCOVER, to enable, for example, the load to be fed from either incoming source (I or II).

For SIRCOVER Bypass, two sets of bridging bars are required (3/6 pole or 4/8 pole switch).

Rating (A)	Frame size	No. of poles	Diameter (mm)	Reference
125 ... 200	B3	3 P	20 x 2.5	4109 3019
125 ... 200	B3	4 P	20 x 2.5	4109 4019
250	B4	3 P	25 x 2.5	4109 3025
250	B4	4 P	25 x 2.5	4109 4025
315 ... 400	B4	3 P	32 x 5	4109 3039
315 ... 400	B4	4 P	32 x 5	4109 4039
500	B5	3 P	32 x 5	4109 3050
500	B5	4 P	32 x 5	4109 4050
630	B5	3 P	50 x 5	4109 3063
630	B5	4 P	50 x 5	4109 4063
800 ... 1000	B6	3 P	50 x 6	4109 3080
800 ... 1000	B6	4 P	50 x 6	4109 4080
1250	B6	3 P	60 x 8	4109 3120
1250	B6	4 P	60 x 8	4109 4120
1600	B7	3 P	90 x 10	4109 3160
1600	B7	4 P	90 x 10	4109 4160

Verify the certification of your product: page 130.

SIRCOVER I-0-II and SIRCOVER I-I+II-II



access_205_a_2_cat

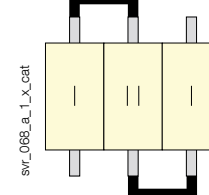
SIRCOVER Bypass



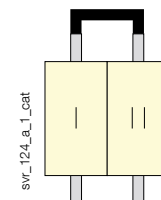
access_208_a_2_cat



access_041_a_1_cat



svr_068_a_1_x_cat



svr_124_a_1_cat

Copper bar connection pieces

Use

For ratings 2000 to 3200 A.

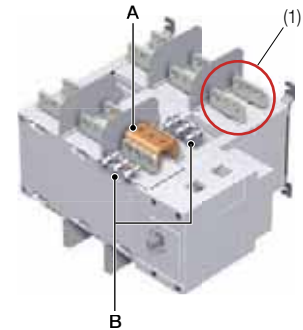
Enables:

- Flat connection: the connection pieces provide a link between the two power terminals of the same pole (Fig. 1).
- Edgewise connection: the connection pieces provide a link between the two power terminals of the same pole and an edgewise bar connection terminal.
- Top or bottom bridging between two poles (Fig. 3).

Once installed, the power terminal is connection ready.

For 3200 A rating, connection pieces (part A) are supplied as standard. Bolt sets must be ordered separately.

Fig. 1



(1) Single pole connection: 1 pole (top or bottom) comprises two power terminals which are to be linked with the copper connection kit.

Connection: the quantities given in the below table refer to the number of pieces required per pole, top or bottom.

Bridging connection: the quantities given refer to the number of pieces required to complete a single bridging connection between two poles.

	Reference	2000 – 2500 A			3200 A		
		Fig. 1	Fig. 2	Fig. 3	Fig. 1	Fig. 2	Fig. 3
		Connection		Bridging connection I - II	Connection		Bridging connection I - II
Connection - part A	2619 1200	1	1		2 ⁽²⁾	included	
Bolt kit 35 mm - part B	2699 1201	1 ⁽¹⁾		2 ⁽²⁾	1 ⁽¹⁾		2 ⁽²⁾
Bolt kit 45 mm - part B	2699 1200	1 ⁽¹⁾			1 ⁽¹⁾		
T + Bolt kit - part C	2629 1200		1	1		1	1
Bracket + Bolt kit - part D	2639 1200		1			1	
Bar + Bolt kit - part E	4109 0320			1			1

(1) Choose the bolt length according to the thickness of the bars being connected; if bar thickness is greater than 20 mm, 45 mm bolts are required.

(2) For bridging connections, quantity 2 pieces are required for creating the link between the two power terminals of the same pole for switch bodies I and II.

The quantities of the applicable pieces then need to be multiplied by the number of connection points (power terminals) in order to determine the total quantity required of each part.

Example: for a 4 pole 2500 A SIRCOVER with upstream edgewise connection (Fig. 2) and downstream bridging (Fig. 3), the following quantities will be required:

Part	Upstream edgewise quantity	Downstream bridging quantity	Total quantity
A	8	8	16
B	0	8	8
C	8	4	12
D	8	0	8
E	0	4	4

Fig. 2

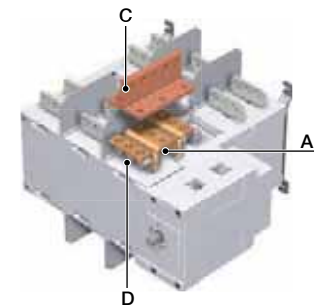
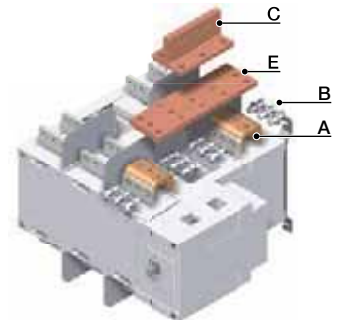


Fig. 3



Auxiliary contact

Use

Pre-breaking and signalling of positions I and II: 1 to 2 NO/NC auxiliary contacts in each position.

Low level AC: consult us.

Connection to the control circuit

By 6.35 mm fast-on terminal.

Electrical characteristics

30,000 operations.

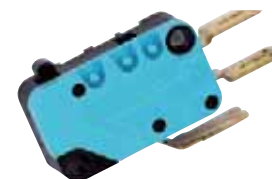
Characteristics

Rating (A)	Frame size	Nominal current (A)	Operating current I _e (A)			
			250 VAC AC-13	400 VAC AC-13	24 VDC DC-13	48 VDC DC-13
125 ... 3200	B3... B8	16	12	8	14	6

NO/NC changeover contact

Rating (A)	Frame size	Contact(s)	Reference
125 ... 1600	B3 ... B7	1 st / 2 nd	4109 0021
2000 ... 3200	B8	1 st / 2 nd	included

Verify the certification of your product: page 130.



SIRCOVER

Manually operated Transfer Switching Equipment
from 125 to 3200 A

Accessories (continued)

Terminal shrouds

Use

Protection against direct contact with terminals or connecting parts.

Advantage

Perforations allow remote thermographic inspection without the need to remove the shrouds.

Rating (A)	Frame size	No. of poles	Position	Reference
125 ... 200	B3	3 P	top / bottom / front (I) / rear (II)	2694 3014 ⁽¹⁾⁽²⁾
125 ... 200	B3	4 P	top / bottom / front (I) / rear (II)	2694 4014 ⁽¹⁾⁽²⁾
250 ... 400	B4	3 P	top / bottom / front (I) / rear (II)	2694 3021 ⁽¹⁾⁽²⁾
250 ... 400	B4	4 P	top / bottom / front (I) / rear (II)	2694 4021 ⁽¹⁾⁽²⁾
500 ... 630	B5	3 P	top / bottom / front (I) / rear (II)	2694 3051 ⁽¹⁾⁽²⁾
500 ... 630	B5	4 P	top / bottom / front (I) / rear (II)	2694 4051 ⁽¹⁾⁽²⁾



access_206_a_2_cat

(1) For complete shrouding at front, rear, top and bottom, order 4 x for a SIRCOVER and 6 x for a SIRCOVER Bypass; if equipped with bridging bars order 3 x for a SIRCOVER and 4 x for a SIRCOVER Bypass.

(2) For top and bottom shrouding for the front only, order 2 x for a SIRCOVER and a SIRCOVER Bypass.

Terminal screens

Use

Upstream and downstream protection against direct contact with terminals or connection parts. For upstream and downstream protection, order quantity 1.

Rating (A)	Frame size	No. of poles	Position	Reference
125 ... 200	B3	3 P	top / bottom	1509 3012
125 ... 200	B3	4 P	top / bottom	1509 4012
250 ... 400	B4	3 P	top / bottom	1509 3025
250 ... 400	B4	4 P	top / bottom	1509 4025
500 ... 630	B5	3 P	top / bottom	1509 3063
500 ... 630	B5	4 P	top / bottom	1509 4063
800 ... 1250	B6	3 P	top / bottom	1509 3080
800 ... 1250	B6	4 P	top / bottom	1509 4080
1600	B7	3 P	top / bottom	1509 3160
1600	B7	4 P	top / bottom	1509 4160
2000 ... 3200	B8	3 / 4 P	top / bottom	included



access_207_a_2_cat

Inter-phase barrier

Use

Safe isolation between the terminals, essential for use at 690 VAC or in a polluted or dusty atmosphere.

Rating (A)	Frame size	No. of poles	Reference
125 ... 200	B3	2 P	2998 0033
125 ... 200	B3	3 P	2998 0034
250 ... 400	B4	2 P	2998 0023
250 ... 400	B4	3 P	2998 0024
500 ... 630	B5	2 P	2998 0013
500 ... 630	B5	3 P	2998 0014
800 ... 3200	B6 ... B8	2/3 P	included

Verify the certification of your product: page 130.

Key handle interlocking system

Padlocking in position I, 0 or II				
SIRCOVER Rating (A) / Frame size	SIRCOVER Bypass Rating (A) / Frame size	Operation	Figure	Reference
125 ... 630 / B3 ... B5	125 ... 200 / B3	external	1	1423 2813

Locking using RONIS EL11AP lock in position 0 (not included)				
SIRCOVER Rating (A) / Frame size	SIRCOVER Bypass Rating (A) / Frame size	Operation	Figure	Reference
125 ... 630 / B3 ... B5	125 ... 200 / B3	direct	2	4109 1006 ⁽¹⁾
	250 ... 630 / B4 ... B5	direct	3	consult us
800 ... 1600 / B6 ... B7	800 ... 1600 / B6 ... B7	direct	3	4109 1004 ⁽²⁾
2000 ... 3200 / B8		direct	3	4109 2007 ⁽²⁾
125 ... 630 / B3 ... B5	125 ... 630 / B3 ... B5	external	4	1499 7701 ⁽²⁾
2000 ... 3200 / B8	800 ... 1600 / B6 ... B7	external	4	2799 7002 ⁽²⁾

(1) Specific handle included.

(2) This locking facility can be configured by the user in the 3 positions.

Locking using RONIS EL11AP lock in position I, 0, II (not included)				
SIRCOVER Rating (A) / Frame size	SIRCOVER Bypass Rating (A) / Frame size	Operation	Figure	Reference
125 ... 630 / B3 ... B5	125 ... 200 / B3	direct	2	4109 1002 ⁽¹⁾
	250 ... 630 / B4 ... B5	direct	3	consult us
800 ... 1600 / B6 ... B7	800 ... 1600 / B6 ... B7	direct	3	4109 1004 ⁽²⁾
2000 ... 3200 / B8		direct	3	4109 2007 ⁽²⁾
125 ... 630 / B3 ... B5	125 ... 630 / B3 ... B5	external	4	1499 7701 ⁽²⁾
2000 ... 3200	800 ... 1600 / B6 ... B7	external	4	2799 7002 ⁽²⁾

(1) Specific handle included.

(2) This locking facility can be configured by the user in the 3 positions.

Locking using 230 VAC undervoltage coil in position 0 (factory fitted)				
SIRCOVER Rating (A) / Frame size	SIRCOVER Bypass Rating (A) / Frame size	Operation	Figure	Reference
800 ... 3200 / B6 ... B8	800 ... 1600 / B6 ... B7	direct	3	consult us

Locking using Type K CASTELL lock (not supplied)				
SIRCOVER Rating (A) / Frame size	SIRCOVER Bypass Rating (A) / Frame size	Operation	Figure	Reference
125 ... 1600 / B3 ... B7	125 ... 630 / B3 ... B5	external	4	1499 7702
2000 ... 3200 / B8	800 ... 1600 / B6 ... B7	external	4	2799 7003

Use

- Padlocked (padlock not included). This device is factory mounted in the direct or external operation handle and allows the use of up to 3 padlocks.
- Locking:
 - using lock (not supplied),
 - using undervoltage coil.
- The interlocking positions are either determined as standard or configured by the user by removing the pre-form tabs.
- Padlocking and locking can be combined.

Fig. 1

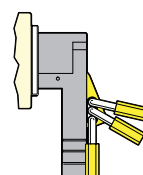
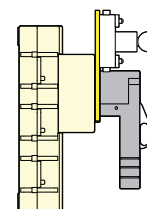


Fig. 2



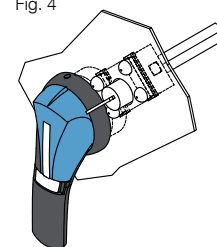
access_061_a_1_x_cat

access_001_a_1_x_cat

Fig. 3



Fig. 4



access_132_a_1_x_cat

access_158_a_1_x_cat

Other specific accessories



bd_03_04_01

- Customised protection screens (for specific dimensions or high ambient temperatures).
- Connection accessories.
- Low level auxiliary contacts.

Verify the certification of your product: page 130.

SIRCOVER

Manually operated Transfer Switching Equipment
from 125 to 3200 A

Polyester enclosed solution

General characteristics

- Adapted to chemical attack, dust hazard, contamination hazard and atmospheric corrosion.
- Operating handle: S type black handle padlockable in position 0.
- Protection degree: IP55 / IK 10.
- Colour: RAL 7030 (rating < 400 A), RAL 9002 (rating ≥ 400 A).
- Cable gland plate: none.
- Material: glass fibre reinforced polyester.
- Coating: none.
- Wall mounting: 4 mounting brackets supplied (not fitted).
- Locking device: screw (rating < 400 A), 3 mm double bar key (rating ≥ 400 A), key supplied.
- Miscellaneous: high resistance to chemicals, self-extinguishable at 960°C, 3 bolted earth connection points.

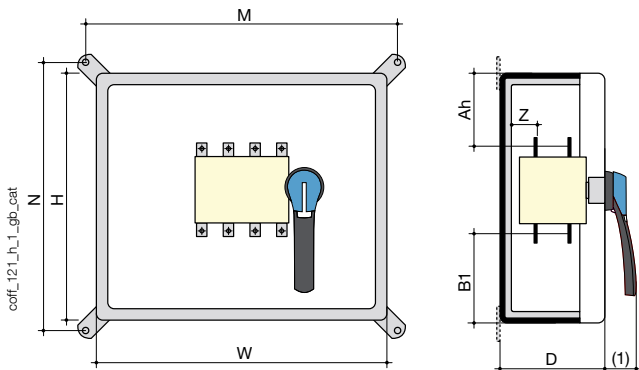
References

Rating (A)	No. of poles	Top/bottom connection I - O - II Reference
125	3 P	4215 3012
125	4 P	4215 4012
160	3 P	4215 3016
160	4 P	4215 4016
250	3 P	4215 3025
250	4 P	4215 4025
400	3 P	4215 3040
400	4 P	4215 4040
630	3 P	4215 3063
630	4 P	4215 4063



conf_2099_a_1_cat

Dimensions



(1) 125 ... 630 A: 45 mm

Rating (A)	No. of poles	H x W x D (mm)	Max. connection cross-section (mm ²)	M (mm)	N (mm)	Z (mm)	Top/bottom connection		
							Ah (mm)	B1 (mm)	Weight (kg)
125	3 P	540 x 270 x 233	50	272	542	28	210	210	9
125	4 P	540 x 360 x 233	50	362	542	28	210	210	10
160	3 P	540 x 270 x 233	95	272	542	28	210	210	9
160	4 P	540 x 360 x 233	95	362	542	28	210	210	10
250	3 P	540 x 360 x 233	150	362	542	29	205	205	11
250	4 P	540 x 360 x 233	150	362	542	29	205	205	12
400	3 P	800 x 600 x 300	240	620	796	29	330	330	30
400	4 P	800 x 600 x 300	240	620	796	29	330	330	31
630	3 P	800 x 600 x 300	2 x 300	620	796	45	297	297	38
630	4 P	800 x 600 x 300	2 x 300	620	796	45	297	297	40

Verify the certification of your product: page 130.

Steel enclosed solution

General characteristics

- Adapted to mechanical risk and dust hazard.
- Operating handle: S type black handle padlockable in position 0.
- Protection degree: IP54
- Colour: RAL 7035 up to 630 A, or RAL 7035 apart from casing and door RAL 9001.
- Cable gland plates: top and bottom.
- Material: XC steel, thickness 1.5 mm.
- Coating: epoxy polyester powder (≤ 630 A), polyester powder (≥ 800 A).
- Mounting: 4 wall mounting brackets - not fitted.
- Door: solid with hinges.
- Locking device: 3 mm double bar key (≤ 630 A), 8 mm spanner key (≥ 800 A), key supplied.
- Miscellaneous: multiple earth connection points, double door locking.

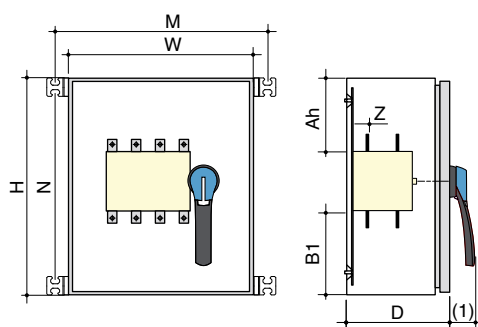
References

Rating (A)	No. of poles	Top/bottom connection I - O - II Reference
125	3 P	4212 3012
125	4 P	4212 4012
160	3 P	4212 3016
160	4 P	4212 4016
250	3 P	4212 3025
250	4 P	4212 4025
400	3 P	4212 3040
400	4 P	4212 4040
500	3 P	4212 3050
500	4 P	4212 4050
630	3 P	4212 3063
630	4 P	4212 4063
800	3 P	4212 3080
800	4 P	4212 4080
1250	3 P	4212 3120
1250	4 P	4212 4120
1600	3 P	4212 3160
1600	4 P	4212 4160



coeff_2395_b

Dimensions



(1) 125 ... 630 A: 58 mm
800 ... 1 600 A: 74 mm.

coeff_318_a_1_gpb_cat

Rating (A)	No. of poles	H x W x D (mm)	Max. connection cross-section (mm ²)	M (mm)	N (mm)	Z (mm)	Top/bottom connection		
							Ah (mm)	B1 (mm)	Weight (kg)
125	3/4 P	500 x 400 x 250	50	448	458	28	190	190	23
160	3/4 P	500 x 400 x 250	95	448	458	28	190	190	23
250	3/4 P	500 x 400 x 250	150	448	458	29.3	185	185	23
400	3/4 P	800 x 600 x 300	240	758	552	29.3	330	330	45
500	3/4 P	800 x 600 x 300	240	648	658	45	298	298	55
630	3/4 P	800 x 600 x 300	2 x 300	648	658	45	290	290	55
800	3/4 P	1200 x 700 x 500	2 x 300	740	1152	24	465	465	78
1,250	3/4 P	1200 x 700 x 500	4 x 185	740	1152	24	465	465	88
1,600	3/4 P	1200 x 700 x 500	4 x 300	740	1152		470	470	94

Verify the certification of your product: page 130.

Characteristics according to IEC 60947-3 and IEC 60947-6-1

125 to 630 A

Thermal current I th at 40°C	125 A	160 A	200 A	250 A	315 A	400 A	500 A	630 A
Frame size	B3	B3	B3	B4	B4	B4	B5	B5
Rated insulation voltage U _i (V)	800	800	800	1000	1000	1000	1000	1000
Rated impulse withstand voltage U _{imp} (kV)	8	8	8	12	12	12	12	12
Rated operational currents I _e (A) according to IEC 60947-6-1								
Rated voltage	Utilisation category	A/B ⁽¹⁾	A/B ⁽¹⁾	A/B ⁽¹⁾	A/B ⁽¹⁾	A/B ⁽¹⁾	A/B ⁽¹⁾	A/B ⁽¹⁾
415 VAC	AC-31 B	125	160	200	250	315	400	500
415 VAC	AC-32 B				200	315	400	500
415 VAC	AC-33 B				200	200	200	400
Rated operational currents I _e (A) according to IEC 60947-3								
Rated voltage	Utilisation category	A/B ⁽¹⁾	A/B ⁽¹⁾	A/B ⁽¹⁾	A/B ⁽¹⁾	A/B ⁽¹⁾	A/B ⁽¹⁾	A/B ⁽¹⁾
415 VAC	AC-21 A / AC-21 B	125/125	160/160	200/200	250/250	315/315	400/400	500/500
415 VAC	AC-22 A / AC-22 B	125/125	160/160	200/200	250/250	315/315	400/400	500/500
415 VAC	AC-23 A / AC-23 B	125/125	160/160	200/200	200/200	315/315	400/400	500/500
500 VAC	AC-21 A / AC-21 B	125/125	160/160	200/200	250/250	315/315	400/400	500/500
500 VAC	AC-22 A / AC-22 B	125/125	160/160	200/200	200/250	200/315	200/400	500/500
500 VAC	AC-23 A / AC-23 B	80/80	80/80	80/80	200/200	200/200	200/200	400/400
690 VAC ⁽³⁾	AC-21 A / AC-21 B	125/125	160/160	200/200	200/200	200/200	200/200	500/500
690 VAC ⁽³⁾	AC-22 A / AC-22 B	125/125	125/125	125/125	160/160	160/160	160/160	400/400
690 VAC ⁽³⁾	AC-23 A / AC-23 B	63/80	63/80	63/80	125/125	125/125	125/125	400/400
220 VDC	DC-21 A / DC-21 B	125/125	160/160	200/200	250/250	250/250	250/250	500/500
220 VDC	DC-22 A / DC-22 B	125/125	160/160	200/200	250/250	250/250	250/250	500/500
220 VDC	DC-23 A / DC-23 B	125/125	125/125	125/125	200/200	200/200	200/200	500/500
440 VDC ⁽²⁾	DC-21 A / DC-21 B	125/125	125/125	125/125	200/200	200/200	200/200	500/500
440 VDC ⁽²⁾	DC-22 A / DC-22 B	125/125	125/125	125/125	200/200	200/200	200/200	500/500
440 VDC ⁽²⁾	DC-23 A / DC-23 B	125/125	125/125	125/125	200/200	200/200	200/200	500/500
Operation power in AC-23 (kW) ⁽⁴⁾								
At 415 VAC without AC pre-break		58/58	75/75	100/100	100/100	145/145	190/190	235/235
At 690 VAC without AC pre-break		50/62	50/62	50/62	90/90	90/90	90/90	310/310
Reactive power (kvar) ⁽⁴⁾								
At 415 VAC (kvar)		60/60	75/75	100/100	125/125	150/150	200/200	250/300
Fuse protected short-circuit withstand as per IEC 60947-3 (kA rms prospective)								
Prospective short-circuit current with gG DIN fuses at 415 VAC (kA rms)		100	100	50	50	50	50	50
Prospective short-circuit current with gG DIN fuses at 690 VAC (kA rms)					50	50	50	50
Associated fuse rating (A)		125	160	200	250	315	400	500
Short-circuit withstand without protection as per IEC 60947-3								
Rated short-time withstand current 0.3s I _{cw} at 415 VAC (kA rms)		12	12	12	15 ⁽⁵⁾	15 ⁽⁵⁾	15 ⁽⁵⁾	17 ⁽⁵⁾
Rated short-time withstand current 1s I _{cw} at 415 VAC (kA rms)		7	7	7	8 ⁽⁵⁾	8 ⁽⁵⁾	8 ⁽⁵⁾	11 ⁽⁵⁾
Rated peak withstand current at 415 VAC (kA peak)		20	20	20	30	30	30	45
Short-circuit withstand without protection as per IEC 60947-6-1								
Rated short-time withstand current 30 ms I _{cw} at 415 VAC (kA rms)		10	10	10	10	10	10	
Rated short-time withstand current 60 ms I _{cw} at 415 VAC (kA rms)							10	12.6
Connection								
Minimum Cu cable cross-section as per IEC 60947-1 (mm ²)		35	35	50	95	120	185	2 x 95
Recommended Cu busbar cross-section (mm ²)								2 x 32 x 5
Maximum Cu cable cross-section (mm ²)		50	95	120	150	240	240	2 x 185
Maximum Cu busbar width (mm)		25	25	25	32	32	32	50
Min./max. tightening torque (Nm)		9/13	9/13	9/13	20/26	20/26	20/26	20/26
Mechanical specifications								
Durability (number of operating cycles)		10,000	10,000	10,000	8,000	8,000	8,000	5,000
Weight 3 P (kg)		2.9	2.9	2.9	3.8	3.9	3.9	8.6
Weight 4 P (kg)		4.1	4.1	4.1	4.6	4.9	4.9	11.1

(1) Category with index A = frequent operation - Category with index B = infrequent operation.

(2) 3-pole device with 2 pole in series for the "+" an 1 pole for the "-".

4-pole device with 2 poles in series by polarity.

(3) Interphase barriers must be installed on the products.

(4) The power value is given for information only, the current values vary from one manufacturer to another.

(5) Values given at 690 VAC.

800 to 3200 A

Thermal current I th at 40°C	800 A	1000 A	1250 A	1600 A	2000 A	2500 A	3200 A
Frame size	B6	B6	B6	B7	B8	B8	B8
Rated insulation voltage U _i (V)	1000	1000	1000	1000	1000	1000	1000
Rated impulse withstand voltage U _{imp} (kV)	12	12	12	12	12	12	12

Rated operational currents I_e (A) according to IEC 60947-6-1

Rated voltage	Utilisation category	A/B ⁽¹⁾	A/B ⁽¹⁾	A/B ⁽¹⁾	A/B ⁽¹⁾	A/B ⁽¹⁾	A/B ⁽¹⁾	A/B ⁽¹⁾
415 VAC	AC-31 B	800	1000	1250	1600	2000	2500	3200
415 VAC	AC-32 B	800	1000	1250	1250	2000	2000	2000
415 VAC	AC-33 B	800	1000	1000	1000	1250	1250	1250

Rated operational currents I_e (A) according to IEC 60947-3

Rated voltage	Utilisation category	A/B ⁽¹⁾	A/B ⁽¹⁾	A/B ⁽¹⁾	A/B ⁽¹⁾	A/B ⁽¹⁾	A/B ⁽¹⁾	A/B ⁽¹⁾
415 VAC	AC-21 A / AC-21 B	800/800	1000/1000	1250/1250	1600/1600	-/2000	-/2500	-/3200
415 VAC	AC-22 A / AC-22 B	800/800	1000/1000	1250/1250	1600/1600	-/2000	-/2500	-/3200
415 VAC	AC-23 A / AC-23 B	800/800	1000/1000	1250/1250	1250/1250	-/1600	-/1600	-/1600
500 VAC	AC-21 A / AC-21 B	800/800	1000/1000	1250/1250	1600/1600	-/2000	-/2000	-/2000
500 VAC	AC-22 A / AC-22 B	630/630	800/800	1000/1000	1600/1600			
500 VAC	AC-23 A / AC-23 B	630/630	630/630	800/800	1000/1000			
690 VAC ⁽³⁾	AC-21 A / AC-21 B	800/800	1000/1000	1250/1250	1600/1600	-/2000	-/2000	-/2000
690 VAC ⁽³⁾	AC-22 A / AC-22 B	630/630	800/800	1000/1000	1000/1000			
690 VAC ⁽³⁾	AC-23 A / AC-23 B	630/630	630/630	800/800	800/800			
220 VDC	DC-21 A / DC-21 B	800/800	1000/1000	1250/1250	1250/1250			
220 VDC	DC-22 A / DC-22 B	800/800	1000/1000	1250/1250	1250/1250			
220 VDC	DC-23 A / DC-23 B	800/800	1000/1000	1250/1250	1250/1250			
440 VDC ⁽²⁾	DC-21 A / DC-21 B	800/800	1000/1000	1250/1250	1250/1250			
440 VDC ⁽²⁾	DC-22 A / DC-22 B	800/800	1000/1000	1250/1250	1250/1250			
440 VDC ⁽²⁾	DC-23 A / DC-23 B	800/800	1000/1000	1250/1250	1250/1250			

Operation power in AC-23 (kW)⁽⁴⁾

At 415 VAC without AC pre-break	375/375	450/450	560/560	560/560	-/710	-/710	-/710
At 690 VAC without AC pre-break	475/475	475/475	620/620	620/620			

Reactive power (kvar)⁽⁴⁾

At 415 VAC (kvar)	400/400	500/500	650/650	650/650	-/850	-/850	-/850
-------------------	---------	---------	---------	---------	-------	-------	-------

Fuse protected short-circuit withstand as per IEC 60947-3 (kA rms prospective)

Prospective short-circuit current with gG DIN fuses at 415 VAC (kA rms)	50	50	100	100			
Prospective short-circuit current with gG DIN fuses at 690 VAC (kA rms)	50	50	50				
Associated fuse rating (A)	800	1000	1250	2x800			

Short-circuit withstand without protection as per IEC 60947-3

Rated short-time withstand current 0.3s I _{cw} at 415 VAC (kA rms)	64	64	64	78	78	78	78
Rated short-time withstand current 1s I _{cw} at 415 VAC (kA rms)	35	35	35	50	50	50	50
Rated peak withstand current at 415 VAC (kA peak)	55	55	80	110	120	120	120

Short-circuit withstand without protection as per IEC 60947-6-1

Rated short-time withstand current 30 ms I _{cw} at 415 VAC (kA rms)							
Rated short-time withstand current 60 ms I _{cw} at 415 VAC (kA rms)	20	20	25	32	50	50	50

Connection

Minimum Cu cable cross-section as per IEC 60947-1 (mm ²)	2 x 185						
Recommended Cu busbar cross-section (mm ²)	2 x 50 x 5	2 x 63 x 5	2 x 60 x 7	2 x 100 x 5	3 x 100 x 5	2 x 100 x 10	3 x 10 x 100
Maximum Cu cable cross-section (mm ²)	4 x 185	4 x 185	4 x 185	6 x 185			
Maximum Cu busbar width (mm)	63	63	63	100	100	100	100
Min./max. tightening torque (Nm)	20/26	20/26	20/26	40/45	40/45	40/45	40/45

Mechanical specifications

Durability (number of operating cycles)	4,000	4,000	4,000	3,000	3,000	3,000	3,000
Weight 3 P (kg)	20.5	21.0	21.6	25.7	42.0	42.0	52.3
Weight 4 P (kg)	24.8	25.6	26.2	32.0	52.9	52.9	66.6

(1) Category with index A = frequent operation - Category with index B = infrequent operation.

(2) 3-pole device with 2 pole in series for the "+" an 1 pole for the "-".

4-pole device with 2 poles in series by polarity.

(3) Interphase barriers must be installed on the products.

(4) The power value is given for information only, the current values vary from one manufacturer to another.

(5) Values given at 690 VAC.

Verify the certification of your product: page 130.

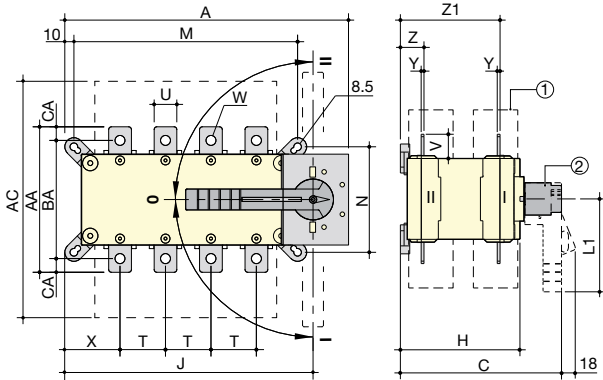
SIRCOVER

Manually operated Transfer Switching Equipment
from 125 to 3200 A

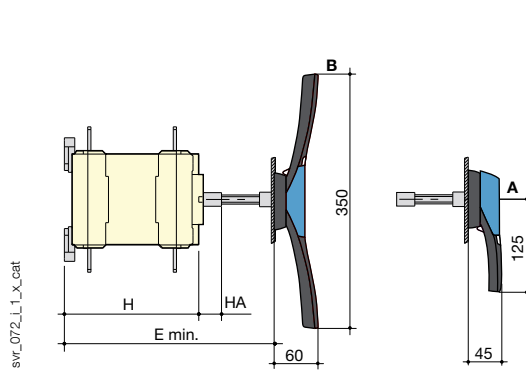
Dimensions

SIRCOVER 125 to 1600 A / B3 to B7

Direct front operation



External front operation



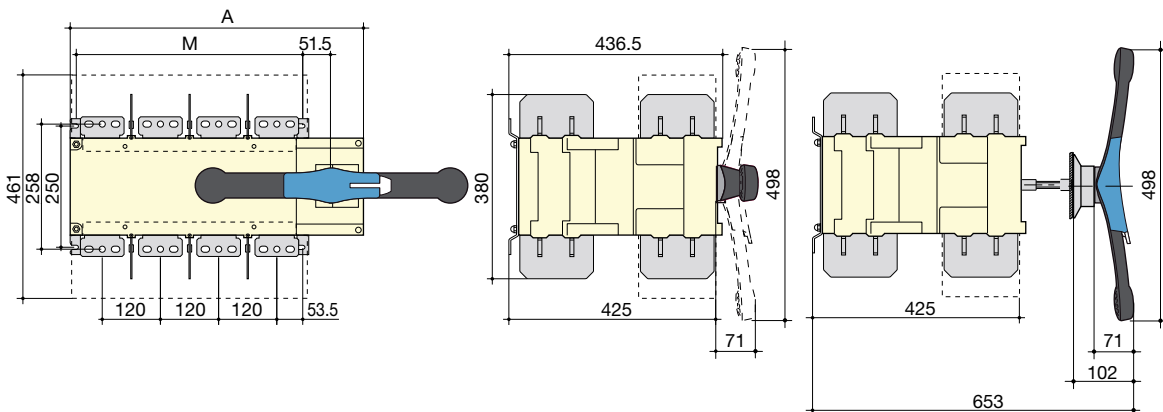
A. S2 type handle for external operation: 125 to 630 A
B. S4 type handle for external operation: 800 to 1600 A

1. Terminal shrouds
2. Direct operation handle:
 - 125 to 630 A: L1 = 140 mm,
 - 800 to 1600 A: L1 = 210 mm.

Rating (A)/ Frame size	Overall dimensions				Terminal shrouds	Switch body				Switch mounting				Connection										
	A 3p.	A 4p.	C	E min		AC	H	HA	J 3p.	J 4p.	M 3p.	M 4p.	N	T	U	V	W	X 3p.	X 4p.	Y	Z	Z1	AA	BA
125 / B3	221	251	218	208 ... 436	235	148	25	182	212	156	186	101	36	20	25	8.5	56	50	3.5	28	124	135	115	10
160 / B3	221	251	218	208 ... 436	235	148	25	182	212	156	186	101	36	20	25	8.5	56	50	3.5	28	124	135	115	10
200 / B3	221	251	218	208 ... 436	235	148	25	182	212	156	186	101	36	20	25	8.5	56	50	3.5	28	124	135	115	10
250 / B4	262	312	218	208 ... 436	280	148	25	223	273	196	246	116	50	25	30	11	61	61	3.5	30	124	160	130	15
315 / B4	262	312	218	208 ... 436	280	148	25	223	273	196	246	116	50	35	35	11	61	61	3.5	30	124	170	140	15
400 / B4	262	312	218	208 ... 436	280	148	25	223	273	196	246	116	50	35	35	11	61	61	3.5	30	124	170	140	15
500 / B5	319	379	295	285 ... 513	401	225	25	272	332	246	306	176	65	32	37	13	70.5	65.5	5	43	180	235	205	15
630 / B5	319	379	295	285 ... 513	400	225	25	272	332	246	306	176	65	45	50	13	70.5	65.5	5	43	180	260	220	20
800 / B6	386	466	375	425 ... 577	459	298	29	306.5	386.5	255	336	250	80	50	60.5	15	48	48	7	66.5	253.5	321		26.5
1000 / B6	386	466	375	425 ... 577	459	298	29	306.5	386.5	255	336	250	80	50	60.5	15	48	48	7	66.5	253.5	321		26.5
1250 / B6	386	466	375	425 ... 577	459	298	29	306.5	386.5	255	336	250	80	60	65	16x11	48	48	7	66.5	255.5	330		29.5
1600 / B7	478	598	375	425 ... 577	461	298	29	388.5	518.5	347	467	250	120	90	43.5	12.5x5	54	54	8	66.5	255.5	288		15

SIRCOVER 2000 to 3200 A / B8

Direct front operation

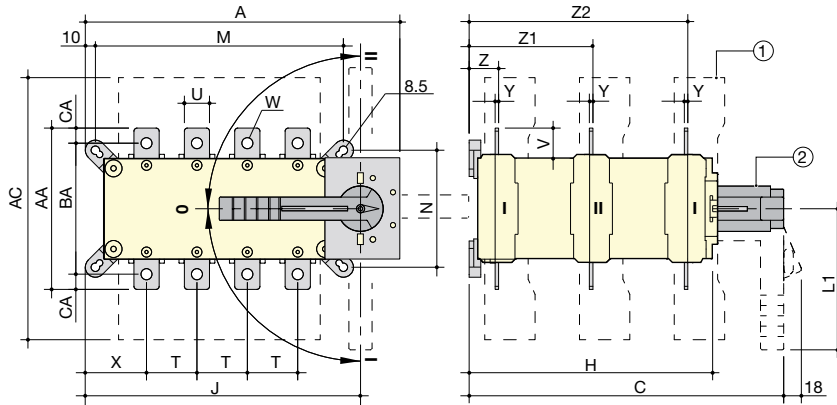


Rating (A) / Frame size	Overall dimensions		Switch mounting	
	A 3p.	A 4p.	M 3p.	M 4p.
2000 ... 3200 / B8	478	598	347	467

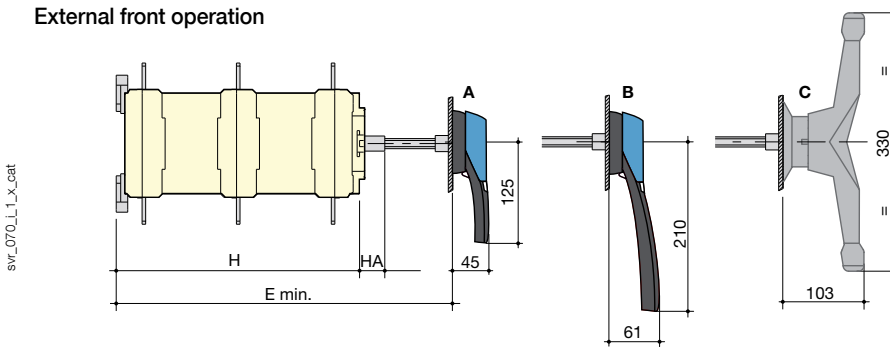
Verify the certification of your product: page 130.

SIRCOVER Bypass 125 to 1600 A / B3 to B7

Direct front operation



External front operation



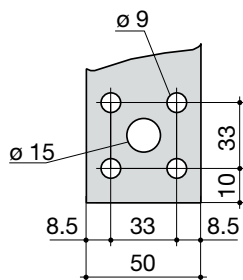
A. S2 type handle for external operation: 125 to 200 A
B. S3 type handle for external operation: 250 to 630 A
C. External double lever handle: 800 to 1600 A

1. Terminal shrouds
2. Direct operation handle:
- 125 to 200 A: L1 = 140 mm,
- 250 to 630 A: L1 = 210 mm,
- 800 to 1600 A: L1 = diameter 330 mm.

Rating (A) / Frame size	Overall dimensions				Terminal shrouds	Switch body				Switch mounting				Connection											
	A 3+6p.	A 4+8p.	C	E min.		AC	H	HA	J 3+6p.	J 4+8p.	M 3+6p.	M 4+8p.	N	T	U	V	W	X 3+6p.	X 4+8p.	Y	Z	Z1	Z2	AA	BA
125 / B3	221	251	313	320	235	243	25	182	212	156	186	101	36	20	25	8.5	56	50	3.5	28	124	219	135	115	10
160 / B3	221	251	313	320	235	243	25	182	212	156	186	101	36	20	25	8.5	56	50	3.5	28	124	219	135	115	10
200 / B3	221	251	313	320	235	243	25	182	212	156	186	101	36	20	25	8.5	56	50	3.5	28	124	219	135	115	10
250 / B4	262	312	313	298	280	243	25	223	273	196	246	116	50	25	30	11	61	61	3.5	30	124	219	160	130	10
400 / B4	262	312	313	298	280	243	25	223	273	196	246	116	50	35	35	11	61	61	3.5	30	124	219	170	140	15
500 / B5	319	379	432	417	401	362	25	272	332	246	306	176	65	32	37	13	70.5	65.5	5	43	180	317	235	205	15
630 / B5	319	379	432	417	400	362	25	272	332	246	306	176	65	45	50	13	70.5	65.5	5	43	180	317	260	220	20
800 / B6	386	466	560	550	459	479	29	306.5	386.5	255	335	250	80	50	60.5	15	48	48	7	66.5	253.5	439.5	321		26.5
1250 / B6	386	466	560	550	459	479	29	306.5	386.5	255	335	250	80	60	65	16x11	48	48	7	66.5	253.5	439.5	320		29.25
1600 / B7	478	598	560	550	461	479	29	388.5	518.5	347	467	250	120	90	43.5	12.5x5	54	54	8	66.5	253.5	439.5	288		15

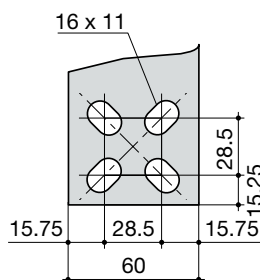
Connection terminals

SIRCOVER and SIRCOVER Bypass 800 A / B6



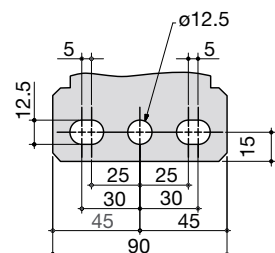
svr_077_a_1_x_cat

SIRCOVER and SIRCOVER Bypass 1250 A / B6



svr_078_b_1_x_cat

SIRCOVER 1600 to 3200 A / B7 to B8
SIRCOVER Bypass 1600 A / B7



svr_088_a_1_x_cat

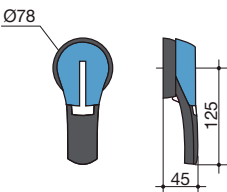
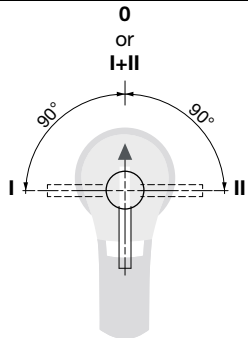
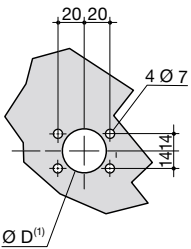
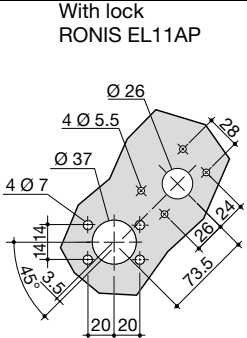
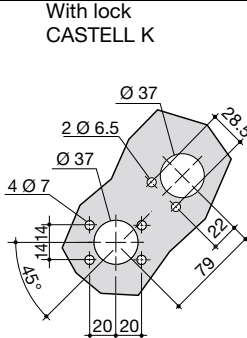
Verify the certification of your product: page 130.

SIRCOVER

Manually operated Transfer Switching Equipment
from 125 to 3200 A

Dimensions for external handles

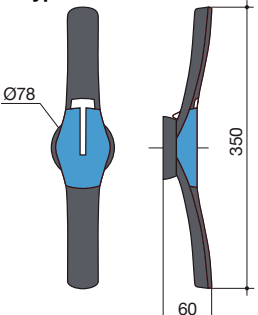
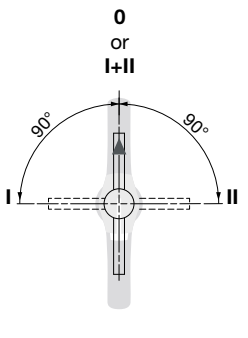
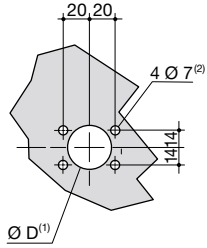
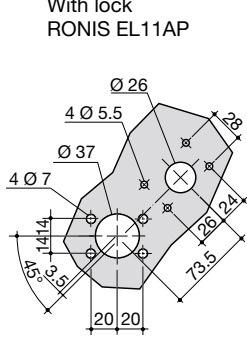
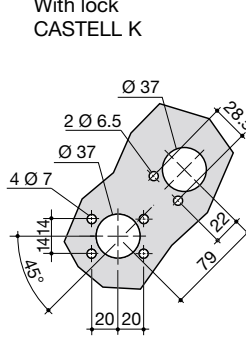
SIRCOVER 125 to 630 A / B3 to B5

Handle type	Front operation Direction of operation	Door drilling		
S2 type 				

(1) Ø31 to Ø37: rear screw mounting,
Ø37: front clip mounting.

poign_030_a_1_gb_cat

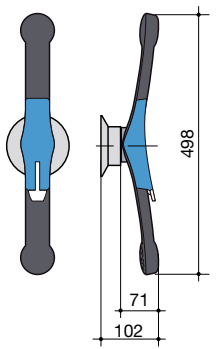
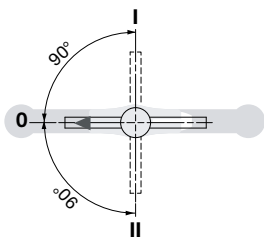
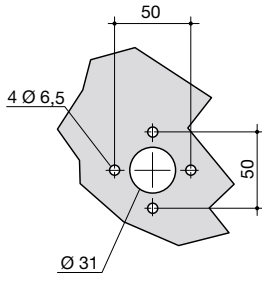
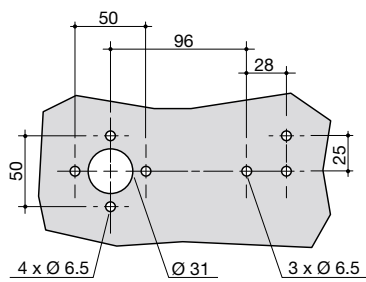
SIRCOVER 800 to 1600 A / B6 to B7

Handle type	Front operation Direction of operation	Door drilling		
S4 type 				

(1) Ø31 to Ø37: rear screw mounting,
Ø37: front clip mounting.
(2) Ø6 to Ø7: clip mounting

poign_031_a_1_gb_cat

SIRCOVER 2000 to 3200 A / B8

Handle type	Front operation Direction of operation	Door drilling	
S5 type with V Escutcheon 			

poign_023_a_1_gb_cat

Verify the certification of your product: page 130.

SIRCOVER Bypass 125 to 200 A / B3

Handle type	Front operation Direction of operation	Door drilling	
S2 type			<div style="display: flex; justify-content: space-around;"> <div> <p>With lock RONIS EL11AP</p> </div> <div> <p>With lock CASTELL K</p> </div> </div>

(1) Ø31 to Ø37: rear screw mounting,
Ø37: front clip mounting.

poign_032_a_1_gb_cat

SIRCOVER Bypass 250 to 630 A / B4 to B5

Handle type	Front operation Direction of operation	Door drilling	
S3 type			<div style="display: flex; justify-content: space-around;"> <div> <p>With lock RONIS EL11AP</p> </div> <div> <p>With lock CASTELL K</p> </div> </div>

(1) Ø31 to Ø37: rear screw mounting,
Ø37: front clip mounting.

poign_033_a_1_gb_cat

SIRCOVER Bypass 800 to 1600 A / B6 to B7

Handle type	Front operation Direction of operation	Door drilling	
C type			<p>With lock CASTELL K</p>

poign_022_a_1_gb_cat

Verify the certification of your product: page 130.

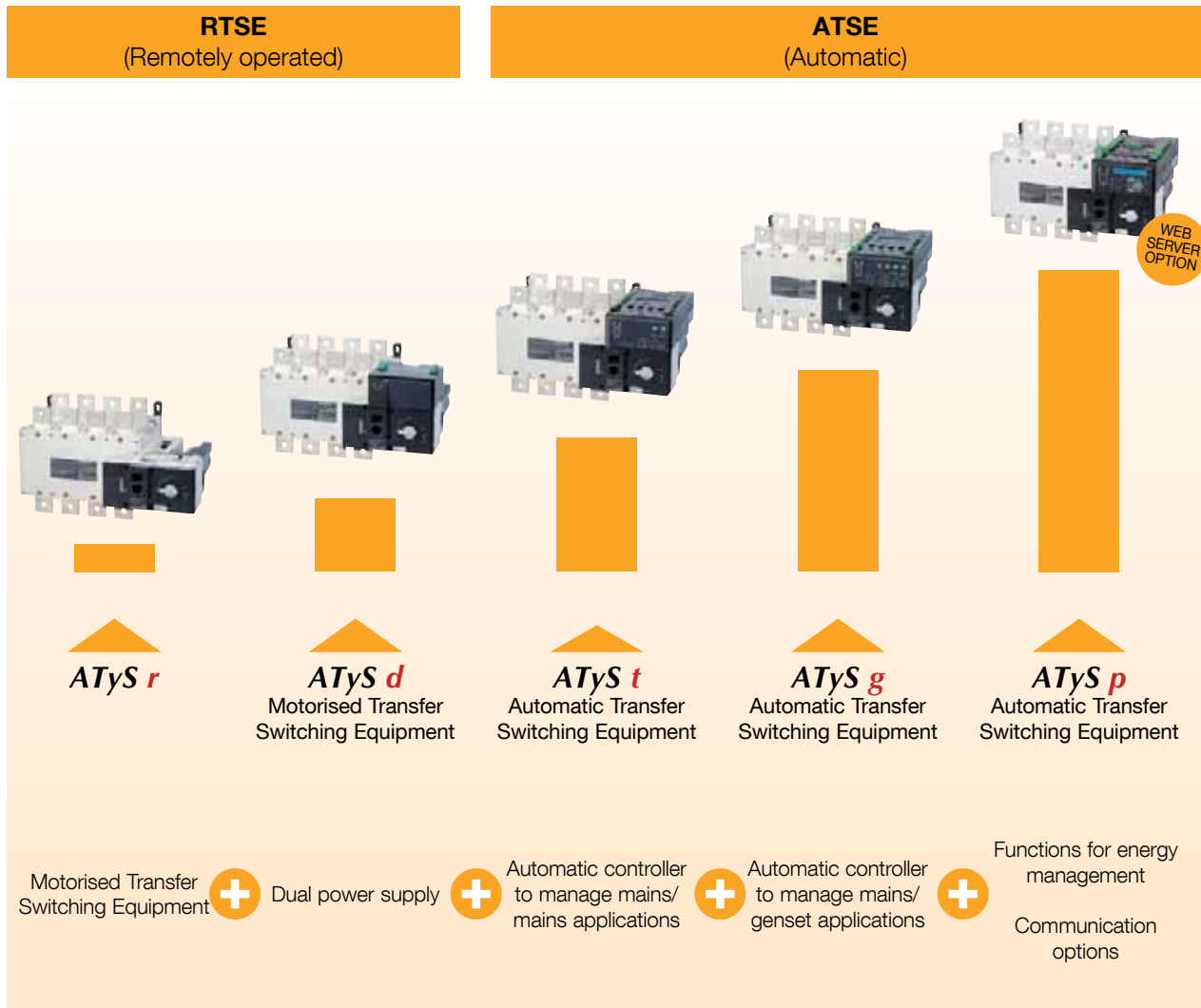


The **ATyS** range: intuitive, reliable and robust solutions

Transfer switches

A complete range of automatic and remotely operated transfer switches from 125 to 3200 A

To meet the increasing demands of its users, the ATyS range is constantly evolving to offer new functions. Five product versions are available to find the right solution perfectly adapted to your application.



WEB
SERVER
OPTION

Verify the certification of your product: page 130.

The **ATyS** range: intuitive, reliable and robust solutions

The advantages



Safe operation

- Permanent indication of product availability (Watchdog relay).
- Positive break indication.
- Mechanical position interlocking.
- Padlocked mode to secure maintenance operations (lockout).
- Secure access to the product configuration.



Robust integrated solution

A single product with all the functions:

- Integrated and tested solution: components factory assembled and wired.
- Greater reliability: compliance with IEC 60947-6-1, the standard governing transfer switches.

Proven SOCOMEC technology:

- Combination of two "back-to-back" (load break switch) PC class switches.
- Switching based on stable positions guaranteeing constant pressure on the contacts at all times.
- SIRCO contact technology used in numerous products for over 40 years.



Intuitive use

- Manual emergency control: The product can be controlled **quickly and safely** using an emergency handle (motor installed or removed).
- User friendly selection of the operating mode (Auto/Manual) using an integrated selector.



Rapid commissioning

- **ATyS** and **ATyS d**: no configuration required.
- **ATyS t** and **ATyS g**: configuration in just a few minutes using a screwdriver.
- **ATyS p**: simplified configuration (EASY CONFIG software and LCD display on the device).
- **ATyS t, g, p**: auto-configuration of the network parameters.



Easy maintenance

- Self-cleaning sliding contacts.
- Easy replacement of the motor and the electronic unit, even on-load.

Improved on load characteristics

IEC 60947-6-1/GB 14048-11

- AC 31B - up to 3200 A
- AC 32B - up to 2000 A
- AC 33B - up to 1250 A

IEC 60947-3

- AC 23B - up to 1250 A

Expert Services

- > Study, definition, advice, implementation, maintenance and training...
- > Our Expert Services team offers customised support to make your project a success.

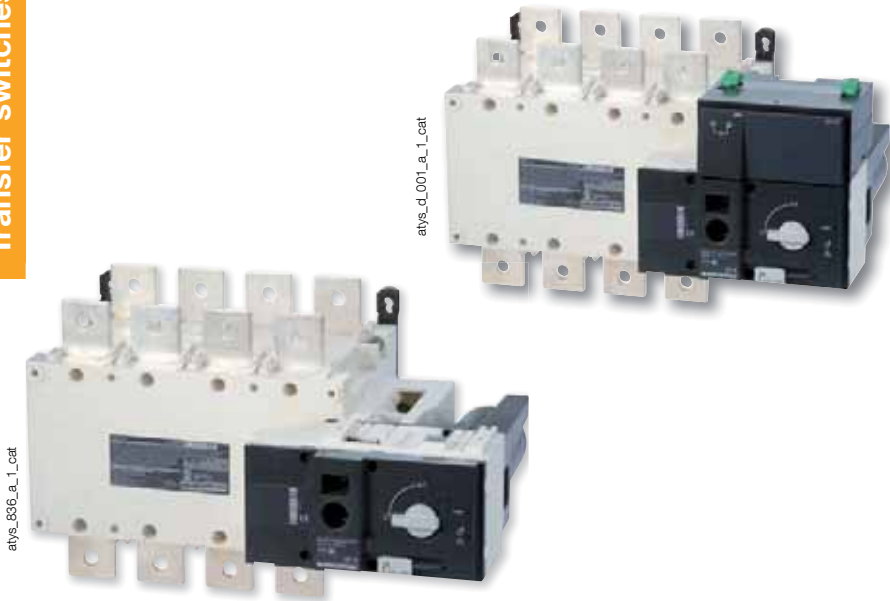




ATyS r - ATyS d

Remotely operated Transfer Switching Equipment from 125 to 3200 A

Transfer switches



The solution for

- > Applications with an external ATS/AMF controller
- > Building Management Systems (BMS)



Strong points

- > Watchdog relay to check product availability
- > Integrated auxiliary contacts
- > Extended power supply range
- > ATyS d: integrated dual power supply

Conformity to standards

- > IEC 60947-6-1
- > IEC 60947-3
- > GB 14048.11



Approvals and certifications⁽¹⁾



BUREAU
VERITAS

⁽¹⁾ Product references on request.

External automatic controller

- > The ATyS r and ATyS d are compatible with our ATyS C30 external controllers (for mains/mains and mains/genset applications) and ATyS C40 controllers (for genset/genset applications).

Function

ATyS r and **ATyS d** are 3 or 4 pole remotely operated motorised transfer switches with positive break indication.

They enable the on-load transfer of two three-phase power supplies via remote volt-free contacts, from either an external automatic controller, using pulse logic, or a switch.

They are intended for use in low voltage power systems where interruption of the load supply is acceptable during transfer.

Advantages

Watchdog relay to check product availability

ATyS r and ATyS d products are equipped with a Watchdog relay which constantly monitors your product, thereby securing the installation.

This relay informs in real time the user of the product's availability, i.e. whether it is operational and ready for source switching.

Integrated auxiliary contacts

As part of the product monitoring function, the ATyS r and ATyS d enable the transmission of information relating to their position. This is possible thanks to the standard integration of an auxiliary contact for each position.

Extended power supply range

ATyS r and ATyS d products offer greater availability thanks to their extensive power supply range of 208 to 277 VAC ± 20%.

ATyS d: integrated dual power supply

In addition to the functions offered by the ATyS r, the ATyS d incorporates supply redundancy without the need for additional wiring. This is obtained by integrating a double supply (2 independent power supplies) directly within the product.

Verify the certification of your product: page 130.

References

ATyS r - ATyS d

Rating (A) / Frame size	No. of poles	ATyS r	ATyS d	Bridging bars	Terminal shrouds	Terminal screens	Auxiliary contact	3 position padlocking	Auto transformer
125 A / B3	3 P	9523 3012	9533 3012						
	4 P	9523 4012	9533 4012						
160 A / B3	3 P	9523 3016	9533 3016	3 P 4109 3019 4 P 4109 4019	3 P 2694 3014 ⁽²⁾ 4 P 2694 4014 ⁽²⁾	3 P 1509 3012 4 P 1509 4012			
	4 P	9523 4016	9533 4016						
200 A / B3	3 P	9523 3020	9533 3020						
	4 P	9523 4020	9533 4020						
250 A / B4	3 P	9523 3025	9533 3025	3 P 4109 3025 4 P 4109 4025			1599 0502	9599 0003 ⁽³⁾	
	4 P	9523 4025	9533 4025						
315 A / B4	3 P	9523 3031	9533 3031	3 P 4109 3039 4 P 4109 4039	3 P 2694 3021 ⁽²⁾ 4 P 2694 4021 ⁽²⁾	3 P 1509 3025 4 P 1509 4025			
	4 P	9523 4031	9533 4031						
400 A / B4	3 P	9523 3040	9533 3040						
	4 P	9523 4040	9533 4040						
500 A / B5	3 P	9523 3050	9533 3050	3 P 4109 3050 4 P 4109 4050	3 P 2694 3051 ⁽²⁾ 4 P 2694 4051 ⁽²⁾	3 P 1509 3063 4 P 1509 4063			400/230 VAC 1599 4064
	4 P	9523 4050	9533 4050						
630 A / B5	3 P	9523 3063	9533 3063	3 P 4109 3063 4 P 4109 4063					
	4 P	9523 4063	9533 4063						
800 A / B6	3 P	9523 3080	9533 3080	3 P 4109 3080 4 P 4109 4080					
	4 P	9523 4080	9533 4080						
1000 A / B6	3 P	9523 3100	9533 3100			3 P 1509 3080 4 P 1509 4080	1599 0532		
	4 P	9523 4100	9533 4100						
1250 A / B6	3 P	9523 3120	9533 3120	3 P 4109 3120 4 P 4109 4120					
	4 P	9523 4120	9533 4120						
1600 A / B7	3 P	9523 3160	9533 3160	3 P 4109 3160 4 P 4109 4160		3 P 1509 3160 4 P 1509 4160		9599 0004 ⁽³⁾	
	4 P	9523 4160	9533 4160						
2000 A / B8	3 P	9523 3200	9533 3200						
	4 P	9523 4200	9533 4200						
2500 A / B8	3 P	9523 3250	9533 3250	(1)		3 P 1509 3200 4 P 1509 4200	included		
	4 P	9523 4250	9533 4250						
3200 A / B8	3 P	9523 3320	9533 3320						
	4 P	9523 4320	9533 4320						

(1) See "Copper bar connection pieces" page 93.

(2) To fully shroud front, rear, top and bottom 4 references required.
To shroud front switch top and bottom 2 references required.

(3) Factory mounting only.

Technical information

- > Accessories: see page 92.
- > Characteristics: see page 100.
- > Terminals and connections: see page 102.
- > Dimensions: see page 104.

Verify the certification of your product: page 130.



ATyS t - ATyS g

Automatic Transfer Switching Equipment
from 125 to 3200 A

Transfer switches



The solution for

- > Mains/mains applications (ATyS t)
- > Mains/genset applications (ATyS g)



Strong points

- > Rapid commissioning
- > ATyS d with integrated controller for functions dedicated to mains/mains or mains/genset applications

Conformity to standards

- > IEC 60947-6-1
- > IEC 60947-3
- > GB 14048.11



Approvals and certifications⁽¹⁾



BUREAU
VERITAS

⁽¹⁾ Product references on request.

Function

ATyS t and **ATyS g** are 3 or 4 pole automatic transfer switches, with positive break indication. They incorporate all the functions offered by the ATyS d, as well as functions intended for **mains/mains** applications (ATyS t) and **mains/genset** applications (ATyS g).

In automatic mode they enable the monitoring of, and the on-load changeover between, two power supply sources, in accordance with the parameters configured via two potentiometers and four DIP switches.

They are intended for use in low voltage power supply systems where a brief interruption of the load supply is acceptable during transfer.

Advantages

Rapid commissioning

ATyS t and g switches offer significant time saving during commissioning (process takes 2 to 3 minutes). Owing to the design that allows commissioning through just two potentiometers (4 on the ATyS g) and four DIP switches, a screwdriver is all that is required to configure the parameters.

For added simplicity, they also offer an autoconfiguration function which enables automatic adjustment of the rated voltage and frequency.

ATyS t: specifically designed for mains/mains applications

The ATyS t's integrated controller has been designed to provide only the functions required for these applications (operation with or without priority, preferred source selection) together with the monitoring of the voltage and frequency of both sources, for three-phase and single-phase networks.

ATyS g: specifically designed for mains/genset applications

The ATyS g's integrated controller has been designed to provide specific functions for these applications (genset startup, on-load or off-load tests...) together with the monitoring of the voltage and frequency of both sources for three-phase and single-phase networks.

The generator supply must be connected to switch II, located at the rear.

Verify the certification of your product: page 130.

References

ATyS t - ATyS g

Rating (A) / Frame size	No. of poles	ATyS t	ATyS g	Bridging bars	Voltage sensing and power supply tap	Terminal shrouds	Terminal screens	Auxiliary contact
125 A / B3	3 P	9543 3012	9553 3012					
	4 P	9543 4012	9553 4012					
160 A / B3	3 P	9543 3016	9553 3016	3 P 4109 3019 4 P 4109 4019	3 P 1559 3012 4 P 1559 4012 ⁽¹⁾	3 P 2694 3014 ⁽²⁾ 4 P 2694 4014 ⁽²⁾	3 P 1509 3012 4 P 1509 4012	
	4 P	9543 4016	9553 4016					
200 A / B3	3 P	9543 3020	9553 3020					
	4 P	9543 4020	9553 4020					
250 A / B4	3 P	9543 3025	9553 3025	3 P 4109 3025 4 P 4109 4025	3 P 1559 3025 4 P 1559 4025	3 P 2694 3021 ⁽²⁾ 4 P 2694 4021 ⁽²⁾	3 P 1509 3025 4 P 1509 4025	1599 0502
	4 P	9543 4025	9553 4025					
315 A / B4	3 P	9543 3031	9553 3031	3 P 4109 3039 4 P 4109 4039	3 P 1559 3040 4 P 1559 4040	3 P 2694 3021 ⁽²⁾ 4 P 2694 4021 ⁽²⁾	3 P 1509 3025 4 P 1509 4025	
	4 P	9543 4031	9553 4031					
400 A / B4	3 P	9543 3040	9553 3040	3 P 4109 3039 4 P 4109 4039	3 P 1559 3040 4 P 1559 4040			
	4 P	9543 4040	9553 4040					
500 A / B5	3 P	9543 3050	9553 3050	3 P 4109 3050 4 P 4109 4050	3 P 1559 3063 4 P 1559 4063	3 P 2694 3051 ⁽²⁾ 4 P 2694 4051 ⁽²⁾	3 P 1509 3063 4 P 1509 4063	
	4 P	9543 4050	9553 4050					
630 A / B5	3 P	9543 3063	9553 3063	3 P 4109 3063 4 P 4109 4063	3 P 1559 3063 4 P 1559 4063	3 P 2694 3051 ⁽²⁾ 4 P 2694 4051 ⁽²⁾	3 P 1509 3063 4 P 1509 4063	
	4 P	9543 4063	9553 4063					
800 A / B6	3 P	9543 3080	9553 3080	3 P 4109 3080 4 P 4109 4080	3 P 1559 3080 4 P 1559 4080		3 P 1509 3080 4 P 1509 4080	1599 0532
	4 P	9543 4080	9553 4080					
1000 A / B6	3 P	9543 3100	9553 3100	3 P 4109 3120 4 P 4109 4120	3 P 1559 3120 4 P 1559 4120		3 P 1509 3080 4 P 1509 4080	
	4 P	9543 4100	9553 4100					
1250 A / B6	3 P	9543 3120	9553 3120	3 P 4109 3120 4 P 4109 4120	3 P 1559 3120 4 P 1559 4120		3 P 1509 3160 4 P 1509 4160	
	4 P	9543 4120	9553 4120					
1600 A / B7	3 P	9543 3160	9553 3160	3 P 4109 3160 4 P 4109 4160	3 P 1559 3160 4 P 1559 4160		3 P 1509 3160 4 P 1509 4160	
	4 P	9543 4160	9553 4160					
2000 A / B8	3 P	9543 3200	9553 3200					
	4 P	9543 4200	9553 4200					
2500 A / B8	3 P	9543 3250	9553 3250	(1)	3 P 1559 3200 4 P 1559 4200		3 P 1509 3200 4 P 1509 4200	d'origine
	4 P	9543 4250	9553 4250					
3200 A / B8	3 P	9543 3320	9553 3320					
	4 P	9543 4320	9553 4320					

(1) See "Copper bar connection pieces" page 93.

(2) To fully shroud front, rear, top and bottom 4 references required.
To shroud front switch top and bottom 2 references required.

Technical information

- > Accessories: see page 92.
- > Characteristics: see page 100.
- > Terminals and connections: see page 102.
- > Dimensions: see page 104.

Verify the certification of your product: page 130.



ATyS p

Automatic Transfer Switching Equipment from 125 to 3200 A

Transfer switches



atySp_001_b

The solution for

- > Applications requiring power management and communication.



Strong points

- > Optional communication modules
- > Recording of events
- > Configuration software
- > Power measurements
- > Possibility to set periodic genset startup

Conformity to standards

- > IEC 60947-6-1
- > IEC 60947-3
- > GB 14048.11



Approvals and certifications⁽¹⁾



BUREAU
VERITAS

⁽¹⁾ Product references on request.

Webserver

The Webserver function comprises HTML pages embedded in the Ethernet communication module.

These pages can be accessed via an internet browser, simply by entering the IP address.

The webserver offers the following functionalities:

- > Display of source status and switch position
- > Display of the main measurements
- > Extraction of the latest logged events
- > Display of the product configuration

Function

ATyS p are 3 or 4 pole automatic transfer switches with positive break indication. They incorporate all the functions offered by the ATyS t and g, as well as functions designed for **power management and communication**.

In automatic mode they enable the monitoring of, and the on-load changeover between, two power supply sources, in accordance with the parameters configured through LCD display, or via communication.

They are intended for use in low voltage power supply systems where a brief interruption of the load supply is acceptable during transfer.

Advantages

Recording of events

ATyS p switches enable effective monitoring of your installation thanks to timestamped event recording.

Events can be retrieved and read via communication.

Optional communication modules

The ATyS p offers communication functions through the addition of optional modules, such as RS485 Modbus or Ethernet with embedded Webserver.

Configuration software

Software (Easyconfig) is available enabling the ATyS p parameters to be easily configured and the existing configuration to be saved and sent to other units.

Power measurements

ATyS p products are particularly suited to energy management and monitoring.

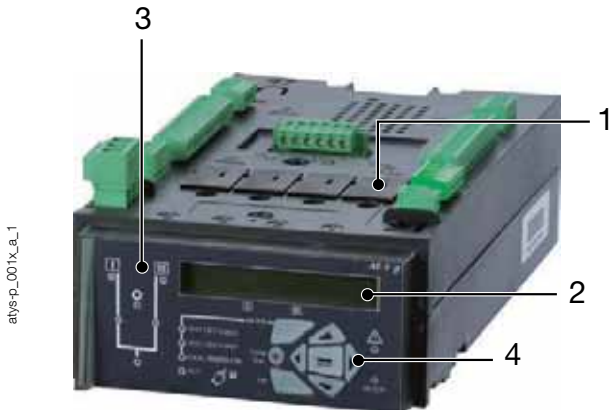
In addition to their integrated power and energy measurement functions (with a 2% accuracy level), programmable inputs/outputs can be utilised to control load shedding based on a load level or tariff.

Possibility to set periodic genset startup

ATyS p switches offer additional functions for maintenance. They include a programmable genset starting function which allows the starting dates and operating times to be configured.

Verify the certification of your product: page 130.

Front panel



1. Slots for optional plug-in modules.
2. Backlit LCD display.
3. Source availability and position indication LEDs.
4. Pushbuttons for programming and mode selection.

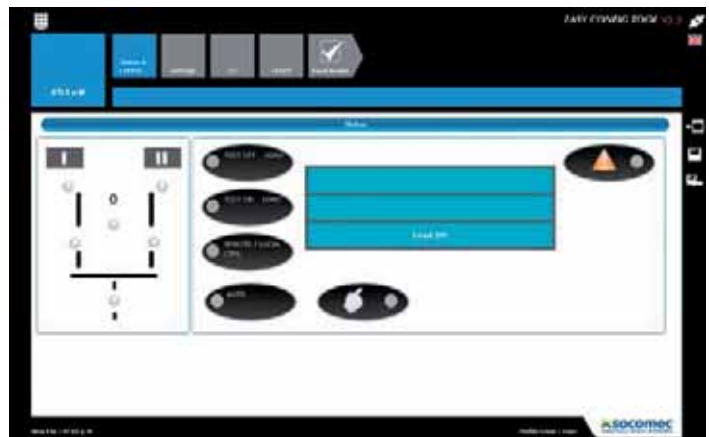
Communication and configuration

Easyconfig

Easyconfig software is the ideal solution to save time and simplify complex configuration.

Allows configuration of the following parameters:

- application type,
- voltage/frequency thresholds,
- timers,
- inputs/outputs...



Webserver

Thanks to optional modules, ATyS p can communicate in **Modbus** and **Ethernet** protocols.

The Ethernet communication module includes the **Webserver** function for access to the ATySp via an internet browser.

The Webserver function enables:

- display of source status and switch position,
- display of voltage measurements,
- display of parameters,
- access to the list of logged events.



Verify the certification of your product: page 130.

References

ATyS p

Rating (A) / Frame size	No. of poles	ATyS p	Bridging bars	Voltage sensing and power supply tap	Terminal shrouds	Terminal screens	Optional modules	Auxiliary contact
125 A / B3	3 P	9573 3012						
	4 P	9573 4012						
160 A / B3	3 P	9573 3016	3 P 4109 3019	3 P 1559 3012	3 P 2694 3014 ⁽²⁾	3 P 1509 3012		
	4 P	9573 4016	4 P 4109 4019	4 P 1559 4012	4 P 2694 4014 ⁽²⁾	4 P 1509 4012		
200 A / B3	3 P	9573 3020						
	4 P	9573 4020						
250 A / B4	3 P	9573 3025	4109 3025					
	4 P	9573 4025	4109 4025					
315 A / B4	3 P	9573 3031		3 P 1559 3025				
	4 P	9573 4031		4 P 1559 4025				
400 A / B4	3 P	9573 3040	3 P 4109 3039		3 P 2694 3021 ⁽²⁾	3 P 1509 3025	RS485 MODBUS communication 4825 0092	1599 0502
	4 P	9573 4040	4 P 4109 4039		4 P 2694 4021 ⁽²⁾	4 P 1509 4025		
500 A / B5	3 P	9573 3050	4109 3050					
	4 P	9573 4050	4109 4050					
630 A / B5	3 P	9573 3063	4109 3063	3 P 1559 3063	3 P 2694 3051 ⁽²⁾	3 P 1509 3063	Ethernet communication 4825 0203	
	4 P	9573 4063	4109 4063	4 P 1559 4063	4 P 2694 4051 ⁽²⁾	4 P 1509 4063		
800 A / B6	3 P	9573 3080		3 P 1559 3080				
	4 P	9573 4080		4 P 1559 4080				
1000 A / B6	3 P	9573 3100	4109 4080					
	4 P	9573 4100						
1250 A / B6	3 P	9573 3120	4109 3120	3 P 1559 3120				
	4 P	9573 4120	4109 4120	4 P 1559 4120				
1600 A / B7	3 P	9573 3160	4109 3160	3 P 1559 3160		1509 3160		
	4 P	9573 4160	4109 4160	4 P 1559 4160		1509 4160		
2000 A / B8	3 P	9573 3200						
	4 P	9573 4200						
2500 A / B8	3 P	9573 3250	(1)	3 P 1559 3200		3 P 1509 3200		
	4 P	9573 4250		4 P 1559 4200		4 P 1509 4200		
3200 A / B8	3 P	9573 3320						
	4 P	9573 4320						

(1) See "Copper bar connection pieces" page 93.

(2) To fully shroud front, rear, top and bottom 4 references required.

To shroud front switch top and bottom 2 references required.

ATyS p

Rating (A) / Frame size	No. of poles	ATyS p	DC power supply	3 position padlocking	Key handle interlocking system	Door protective surround	Mounting spacers	Remote control interface	
125 A / B3	3 P	9573 3012	12 VDC/230 VAC 1599 5012	9599 0003 ⁽¹⁾	Using lock RONIS EL11AP in position 0 9599 1006 ⁽¹⁾	1539 0012	1 set of 2 spacers 1509 0001	D20 9599 2020 + RJ45 cable connection 1599 2009	
	4 P	9573 4012							
160 A / B3	3 P	9573 3016							
	4 P	9573 4016							
200 A / B3	3 P	9573 3020							
	4 P	9573 4020							
250 A / B4	3 P	9573 3025							
	4 P	9573 4025							
315 A / B4	3 P	9573 3031							
	4 P	9573 4031							
400 A / B4	3 P	9573 3040							24 VDC/230 VAC 1599 5112
	4 P	9573 4040							
500 A / B5	3 P	9573 3050							48 VDC/230 VAC 1599 5212
	4 P	9573 4050							
630 A / B5	3 P	9573 3063							
	4 P	9573 4063							
800 A / B6	3 P	9573 3080							
	4 P	9573 4080							
1000 A / B6	3 P	9573 3100							
	4 P	9573 4100							
1250 A / B6	3 P	9573 3120							
	4 P	9573 4120							
1600 A / B7	3 P	9573 3160	9599 0004 ⁽¹⁾	Using lock RONIS EL11AP in position 0 9599 1004 ⁽¹⁾	1539 0080				
	4 P	9573 4160							
2000 A / B8	3 P	9573 3200							
	4 P	9573 4200							
2500 A / B8	3 P	9573 3250							
	4 P	9573 4250							
3200 A / B8	3 P	9573 3320							
	4 P	9573 4320							

⁽¹⁾ Factory mounting only.

Verify the certification of your product: page 130.



ATyS range

ATyS *r*, ATyS *d*, ATyS *t*, ATyS *g*, ATyS *p*
from 125 to 3200 A

Accessories

Terminal shrouds

Use

IP2X protection against direct contact with terminals or connecting parts.

Advantages

Perforations allow remote thermographic inspection without the need to remove the shrouds.

Rating (A)	Frame size	No. of poles	Position	Reference
125 ... 200	B3	3 P	top / bottom / front (I) / rear (II)	2694 3014 ⁽¹⁾⁽²⁾
125 ... 200	B3	4 P	top / bottom / front (I) / rear (II)	2694 4014 ⁽¹⁾⁽²⁾
250 ... 400	B4	3 P	top / bottom / front (I) / rear (II)	2694 3021 ⁽¹⁾⁽²⁾
250 ... 400	B4	4 P	top / bottom / front (I) / rear (II)	2694 4021 ⁽¹⁾⁽²⁾
500 ... 630	B5	3 P	top / bottom / front (I) / rear (II)	2694 3051 ⁽¹⁾⁽²⁾
500 ... 630	B5	4 P	top / bottom / front (I) / rear (II)	2694 4051 ⁽¹⁾⁽²⁾



access_206_a_2_cat

(1) For complete shrouding at front, rear, top and bottom, order quantity 4; if equipped with bridging bars order quantity 3.
(2) For top and bottom shrouding for the front only, order quantity 2.

Terminal screens

Use

Upstream and downstream protection against direct contact with terminals or connection parts.

For upstream and downstream protection, order quantity 1.

Rating (A)	Frame size	No. of poles	Position	Reference
125 ... 200	B3	3 P	top / bottom	1509 3012
125 ... 200	B3	4 P	top / bottom	1509 4012
250 ... 400	B4	3 P	top / bottom	1509 3025
250 ... 400	B4	4 P	top / bottom	1509 4025
500 ... 630	B5	3 P	top / bottom	1509 3063
500 ... 630	B5	4 P	top / bottom	1509 4063
800 ... 1250	B6	3 P	top / bottom	1509 3080
800 ... 1250	B6	4 P	top / bottom	1509 4080
1600	B7	3 P	top / bottom	1509 3160
1600	B7	4 P	top / bottom	1509 4160
2000 ... 3200	B8	3 P	top / bottom	1509 3200
2000 ... 3200	B8	4 P	top / bottom	1509 4200



access_207_a_2_cat

Bridging bars

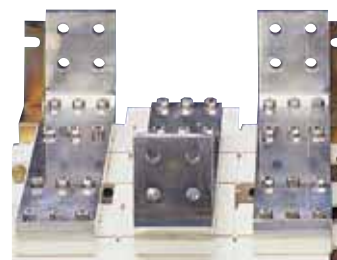
Use

For bridging power terminals on the upstream or downstream side of the switch.
One reference required per ATyS.

Rating (A)	Frame size	No. of poles	Section (mm)	Reference
125 ... 200	B3	3 P	20 x 2.5	4109 3019
125 ... 200	B3	4 P	20 x 2.5	4109 4019
250	B4	3 P	25 x 2.5	4109 3025
250	B4	4 P	25 x 2.5	4109 4025
315 ... 400	B4	3 P	32 x 5	4109 3039
315 ... 400	B4	4 P	32 x 5	4109 4039
500	B5	3 P	32 x 5	4109 3050
500	B5	4 P	32 x 5	4109 4050
630	B5	3 P	50 x 5	4109 3063
630	B5	4 P	50 x 5	4109 4063
800 ... 1000	B6	3 P	50 x 6	4109 3080
800 ... 1000	B6	4 P	50 x 6	4109 4080
1250	B6	3 P	60 x 8	4109 3120
1250	B6	4 P	60 x 8	4109 4120
1600	B7	3 P	90 x 10	4109 3160
1600	B7	4 P	90 x 10	4109 4160



access_208_a_2_cat



access_041_a_1_cat

Verify the certification of your product: page 130.

Copper bar connection pieces

Use

For ratings 2000 to 3200 A.

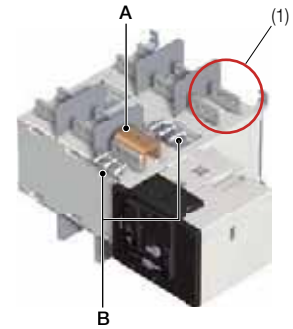
Enables:

- Flat connection: the connection pieces provide a link between the two power terminals of the same pole (Fig. 1).
- Edgewise connection: the connection pieces provide a link between the two power terminals of the same pole and an edgewise bar connection terminal.
- Top or bottom bridging between two poles (Fig. 3).

Once installed, the power terminal is connection ready.

For 3200 A rating, connection pieces (part A) are supplied as standard. Bolt sets must be ordered separately.

Fig. 1



(1) Single pole connection: 1 pole (top or bottom) comprises two power terminals which are to be linked with the copper connection kit.

Fig. 2

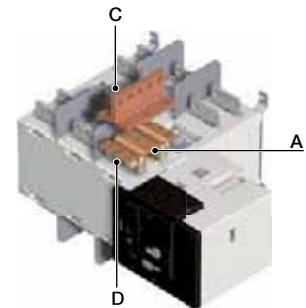
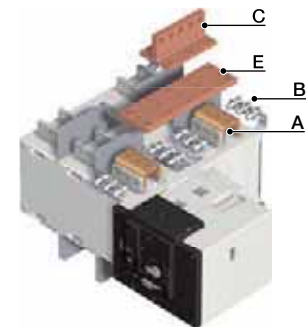


Fig. 3



	Reference	2000 – 2500 A			3200 A		
		Fig. 1	Fig. 2	Fig. 3	Fig. 1	Fig. 2	Fig. 3
		Connection		Bridging connection I - II	Connection		Bridging connection I - II
Connection - part A	2619 1200	1	1			included	
Bolt kit 35 mm - part B	2699 1201	1 ⁽¹⁾		2 ⁽²⁾	1 ⁽¹⁾	2 ⁽²⁾	
Bolt kit 45 mm - part B	2699 1200	1 ⁽¹⁾			1 ⁽¹⁾		
T + Bolt kit - part C	2629 1200		1	1		1	
Bracket + bolt kit - part D	2639 1200		1			1	
Bar + bolt kit - part E	4109 0320			1		1	

(1) Choose the bolt length according to the thickness of the bars being connected: if bar thickness is greater than 20 mm, 45 mm bolts are required.

(2) For bridging connections, quantity 2 pieces are required for creating the link between the two power terminals of the same pole for switch bodies I and II.

The quantities of the applicable pieces then need to be multiplied by the number of connection points (power terminals) in order to determine the total quantity required of each part.

Example: For a 4 pole 2500 A SIRCOVER with upstream edgewise connection (Fig. 2) and downstream bridging (Fig. 3), the following quantities will be required:

Part	Upstream edgewise quantity	Downstream bridging quantity	Total quantity
A	8	8	16
B	0	8	8
C	8	4	12
D	8	0	8
E	0	4	4

Solid neutral

Use

The solid neutral kit provides connection between the incoming and outgoing neutrals with no disconnection during transfer.

Rating (A)	Frame size	Reference
125 ... 200	B3	9509 0012
200 ... 315	B4	9509 0025
400	B4	9509 0040
500 ... 630	B5	9509 0063
800 ... 1000	B6	9509 0080
1250	B6	9509 0120
1600	B7	9509 0160

Verify the certification of your product: page 130.

ATyS range

ATyS r, ATyS d, ATyS t, ATyS g, ATyS p

from 125 to 3200 A

Accessories (continued)

Autotransformer

Use

For applications without neutral, this autotransformer provides the 230 VAC required to power these ATyS products.

Rating (A)	Frame size	Reference
125 ... 3200	B3 ... B8	1599 4064

DC power supply

Use

Allows an ATyS to be supplied from a 12 or 24 VDC source. To be positioned as close as possible to the DC power supply source.

Rating (A)	Frame size	Operating voltage	Reference
125 ... 1600	B3 ... B7	12 VDC / 230 VAC	1599 5012
125 ... 1600	B3 ... B7	24 VDC / 230 VAC	1599 5112
125 ... 1600	B3 ... B7	48 VDC / 230 VAC	1599 5212

Voltage tapping and power supply kit

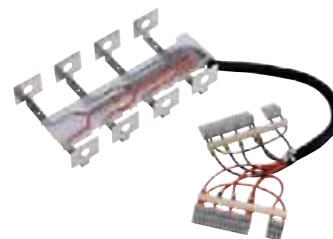
Use

For power supply and voltage measurement (4 wire, three-phase) for the ATyS t, g and p. Routing of the conductors is controlled, which means that no specific protective device is necessary for these connections.

The kit can be fitted on the top or bottom of the switch.

Note: the 3-pole version does not integrate the power supply.

125 to 630 A kit



atys_606_a_1_cat

800 to 3200 A kit



atys_603_a_2_cat

For ATyS t, g and ATyS p - 3 pole

Rating (A)	Frame size	Reference
125 ... 200	B3	1559 3012
250	B4	1559 3025
315 ... 400	B4	1559 3040
500 ... 630	B5	1559 3063
800 ... 1000	B6	1559 3080
1250	B6	1559 3120
1600	B7	1559 3160
2000 ... 3200	B8	1559 3200

For ATyS t, g and ATyS p - 4 pole

Rating (A)	Frame size	Reference
125 ... 200	B3	1559 4012
250	B4	1559 4025
315 ... 400	B4	1559 4040
500 ... 630	B5	1559 4063
800 ... 1000	B6	1559 4080
1250	B6	1559 4120
1600	B7	1559 4160
2000 ... 3200	B8	1559 4200

Voltage relay

Use

The DS is a voltage relay for monitoring a single power supply.

If it detects a fault in the source, the default relay contact closes.

Rating (A)	Reference
DS	192X 0056



atys_762_a_1_cat

Verify the certification of your product: page 130.

Door protective surround

Use

Door surround to provide a clean and safe finish to the panel's cut-out.

For ATyS		
Rating (A)	Frame size	Reference
125 ... 630	B3 ... B5	1529 0012
800 ... 3200	B6 ... B8	1529 0080

For ATyS d, t, g and p		
Rating (A)	Frame size	Reference
125 ... 630	B3 ... B5	1539 0012
800 ... 3200	B6 ... B8	1539 0080



atys_595_a_2_cat

Auxiliary contact

Use

Pre-break and signalling of positions I and II: each reference provides 1 NO/NC auxiliary contact for positions I and II. Possibility to install up to 2 auxiliary contacts for each position.

Low level AC: contact us. ATyS are supplied with 1 NO aux contact for all three positions as standard.

Rating (A)	Frame size	Nominal current (A)	Operating current I _e (A)			
			250 VAC AC-13	400 VAC AC-13	24 VDC DC-13	48 VDC DC-13
125 ... 3200	B3 ... B8	16	12	8	14	6

Rating (A)	Frame size	Type of mounting	Reference
125 ... 630	B3 ... B5	Customer fit	1599 0502
800 ... 1600	B6 ... B7	Customer fit	1599 0532
2000 ... 3200	B8	-	2 AC per position fitted as standard



800 to 1600 A

If additional auxiliary contacts are required please consult us.



125 to 630 A

access_396_a

access_397_a

Mounting spacers

Use

Increases the distance between the rear power terminals and the backplate by 1 cm.

This accessory may also be used to replace the original mounting spacers.

Rating (A)	Frame size	Description of accessories	Reference
125 ... 630	B3 ... B5	1 set of 2 spacers	1509 0001



atys_009_a_2_cat

3 position padlocking (I - 0 - II)

Use

Enables the product to be padlocked in positions 0, I and II (factory fitted).

Rating (A)	Frame size	Reference
125 ... 630	B3 ... B5	9599 0003
800 ... 3200	B6 ... B8	9599 0004



atys_867_a

Key handle interlocking system

Use

With the product in manual mode, it enables locking in position 0 using a RONIS EL1 1AP lock (factory fitted).

As standard, locking in position 0.
 With the 3 position padlocking accessory: key interlocking in I, 0 & II.

Rating (A)	Frame size	Reference
125 ... 630	B3 ... B5	9599 1006
800 ... 3200	B6 ... B8	9599 1004



atys_866_a

Verify the certification of your product: page 130.

ATyS range

ATyS r, ATyS d, ATyS t, ATyS g, ATyS p

from 125 to 3200 A

Accessories (continued)

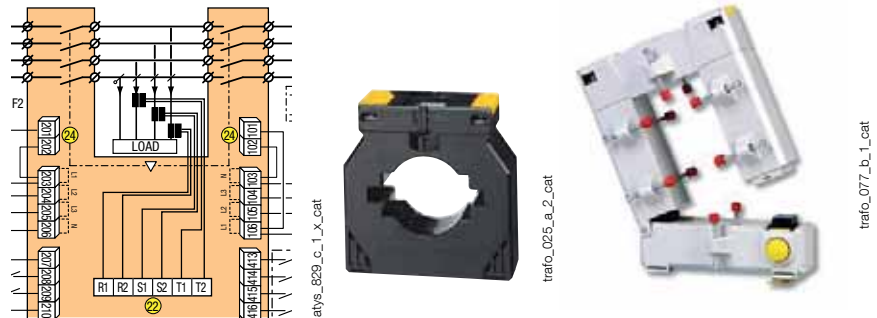
Current transformer

Use - for ATyS p only

Used with ATyS p units, these current transformers enable information to be obtained on the load current.

References

See our general catalogue or our website:
www.socomec.com.



Plug-in optional modules

Use - for ATyS p only

Number of modules per device

A maximum of four modules can be fitted to each ATyS p, unless you are using either Ethernet communication module. In this case, you can connect up to 2 modules as well as the Ethernet communication module.



RS485 JBUS / MODBUS® communication

- RS485 link with JBUS / MODBUS® protocol (speed up to 38400 bauds).



2 inputs - 2 outputs

- 2 inputs and 2 outputs (programmable) on each module.



Ethernet communication

- Ethernet link with MODBUS/TCP or JBUS/MODBUS RTU over TCP.
- Embedded Ethernet Webserver software.



Ethernet communication with RS485 JBUS/MODBUS gateway

- Ethernet link with MODBUS/TCP or JBUS/MODBUS RTU over TCP.
- Connect 1 to 247 RS485 JBUS/MODBUS slaves.
- Embedded Ethernet Webserver software.



Analogue outputs

- Allocate outputs to: 3I, In, 3V, 3U, F, ± ΣP, ± ΣQ, ΣS.



Pulse outputs

- 2 configurable pulse outputs (type, weight and duration) on ±kWh, ±kvarh and kVAh.

Description of accessories	Reference
RS485 MODBUS communication	4825 0092
2 inputs - 2 outputs	1599 2001
Ethernet communication (embedded Ethernet Webserver software)	4825 0203
Ethernet communication + RS485 JBUS/MODBUS gateway (embedded Ethernet Webserver software)	4825 0204
Analogue outputs	4825 0093
Pulse outputs	4825 0090

Verify the certification of your product: page 130.

Remote interfaces

Use

To remotely display source availability and position indication typically used on the front of a panel when the product is enclosed. Interfaces are powered from the ATyS transfer switch via the RJ45 connection cable.

Maximum cable length: 3 m.

D10 - for ATyS d, ATyS t and ATyS g

To display source availability and position indication on the front panel of an enclosure. Protection degree: IP21

D20 - for ATyS p

In addition to the functions of the D10, the D20 displays measurements and enables control and configuration from the front of a panel.

Protection degree: IP21

Door mounting

2 holes $\varnothing 22.5$.

ATyS transfer switch via RJ45 cable, not isolated. Cable available as an accessory.

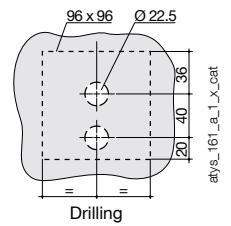


atys_564_d_1_cat

atys_565_d_1_cat



atys_597_a_1_cat



atys_161_a_1_x_cat

RJ45 port to connect to ATyS.

Description of accessories	Reference
D10	9599 2010
D20	9599 2020

Connecting cable for remote interfaces

Use

To connect between a remote interface (type D10 or D20) and a control product (ATyS d, t, g or p).

Characteristics

RJ45 8 straight-through, non insulated cables, length 3 m.



access_209_a_2_cat

For ATyS d, t, g and p		
Type	Length	Reference
RJ45 cable	3 m	1599 2009

Sealable cover

Use - for ATyS t and g

Prevents access to the configuration of ATyS t and g devices (seals supplied).

Rating (A)	Frame size	Reference
125 ... 3200	B3 ... B8	9599 0000



atys_870_a

Auto/Manual key selector

Use

Replaces the standard Auto/Manual selector knob with a key selector.

Rating (A)	Frame size	Reference
125 ... 3200	B3 ... B8	9599 1007



atys_869_a

Double power supply - DPS

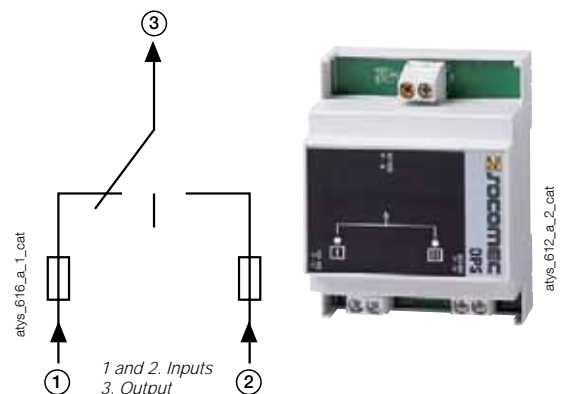
Use

Allows an ATyS r to be supplied by two 230 VAC, 50/60 Hz networks.

Input

- The input is considered "active" from 200 VAC.
- Maximum voltage: 288 VAC.
- Internal protection: each input is fuse protected (3.15 A).
- Connection on terminals: max. 6 mm².
- Modular device: 4 module width.

Description of accessories	Reference
DPS	1599 4001



atys_612_a_2_cat

Verify the certification of your product: page 130.

ATyS range

ATyS r, ATyS d, ATyS t, ATyS g, ATyS p

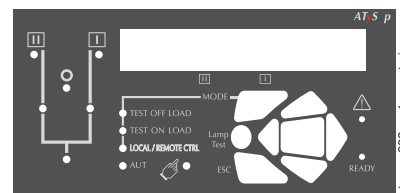
from 125 to 3200 A

Spares

ATyS p front panel

This front panel is used, for the ATyS p only, if source 2 is connected to unit I and source 1 is connected to unit II. Positions I and II are reversed on the front panel.

Product model	Reference
ATyS p	9599 1008



atys-p_002_a_1_x_cat.ai

Electronic module

The electrical components of the ATyS d, t, g and p are easy to replace in case there is a problem, even when on-load.

Product model	Reference
ATyS d	9539 2001
ATyS t	9549 2001
ATyS g	9559 2001
ATyS p	9579 2001



atys-p_001_b

Motorisation module

The motor units of the ATyS r, d, t, g and p are easy to replace in case there is a problem, even when on-load.

Rating (A)	Reference
125 ... 200	9509 5020
250 ... 400	9509 5040
500 ... 630	9509 5063
800 ... 1250	9509 5120
1600	9509 5160
2000 ... 3200	9509 5320



atys_871_a

Switching module

If you need to replace just the switching part on an ATyS r, d, t, g or p, order SIRCOVER items. Please refer to page 68.



svr_151_a

Verify the certification of your product: page 130.

Enclosed solutions

General characteristics

ATyS d and ATyS p

- Adapted to mechanical risk and dust hazard.
- IP rating: IP54.
- Colour: RAL 7035.
- Connecting the cables: upstream or downstream up to 250 A then downstream only.
- The auxiliary contacts are wired to terminal blocks.
- Material: 2 mm-thick XC steel.
- Coating: epoxy varnish.
- Mounting: 4 wall mounting brackets, not mounted \leq 400 A, floor standing feet $>$ 630 A
- Door: solid with hinges.
- Door lock: 3 mm double-bar lock (key included)

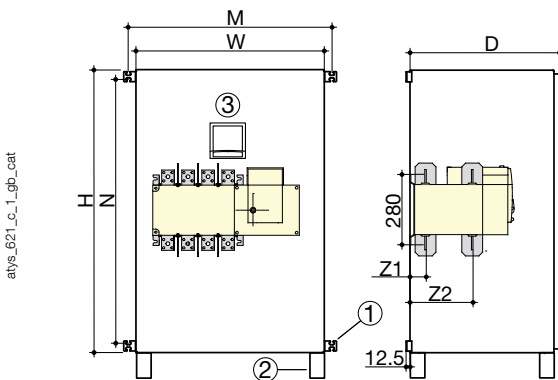
References

Rating (A)	No. of poles	ATyS d Reference	ATyS p Reference
125	4 P	1723 4012	1763 4012
160	4 P	1723 4016	1763 4016
250	4 P	1723 4025	1763 4025
400	4 P	1723 4040	1763 4040
630	4 P	1723 4063	1763 4063
800	4 P	1723 4080	1763 4080
1000	4 P	1723 4100	1763 4100
1250	4 P	1723 4120	1763 4120
1600	4 P	1723 4160	1763 4160
2000	4 P	1723 4200	1763 4200
2500	4 P	1723 4250	1763 4250
3200	4 P	1723 4320	1763 4320



conf_3006_b_1

Dimensions



atys_621_Lc_1_gbr_cat

- (1) Wall mounting brackets supplied up to 400 A.
 (2) Floor standing feet from 630 A (add 200 mm for to H dimension feet).
 (3) D10 or D20 interfaces (optional).

Rating (A)	Max. Cu cable cross-section (mm ²)	H (mm)	W (mm)	D (mm)	M (mm)	N (mm)	Z1 (mm)	Z2 (mm)	Weight (kg)
125	50	650	400	300	448	608	38	134	25
160	70	650	400	300	448	608	38	134	25
250	120	1000	650	475	698	958	39.5	134.5	45
400	240	1000	650	475	698	958	39.5	134.5	50
630	2 x 185	1000	650	475			53	190	70
800	2 x 240	1200	800	660			66.5	253.5	135
1000	4 x 150	1200	800	660			66.5	253.5	140
1250	4 x 185	1600	1000	830			66.5	253.5	270
1600	4 x 240	1600	1000	830			67.5	253.5	375
2000	8 x 150	2000	1000	1000					400
2500	8 x 185	2000	1000	1000					400
3200	8 x 240	2000	1000	1000					400

Verify the certification of your product: page 130.

ATyS range

ATyS r, ATyS d, ATyS t, ATyS g, ATyS p

from 125 to 3200 A

Characteristics according to IEC 60947-3 and IEC 60947-6-1

125 to 630 A

Thermal current I_{th} to 40°C	125 A	160 A	200 A	250 A	315 A	400 A	500 A	630 A
Frame size	B3	B3	B3	B4	B4	B4	B5	B5
Rated insulation voltage U_i (V) (power circuit)	800	800	800	1000	1000	1000	1000	1000
Rated impulse withstand voltage U_{imp} (kV) (power circuit)	8	8	8	12	12	12	12	12
Rated insulation voltage U_i (V) (control circuit)	300	300	300	300	300	300	300	300
Rated impulse withstand voltage U_{imp} (kV) (control circuit)	4	4	4	4	4	4	4	4
Rated operational currents I_e (A) according to IEC 60947-3								
Rated voltage	Utilisation category	A/B⁽¹⁾	A/B⁽¹⁾	A/B⁽¹⁾	A/B⁽¹⁾	A/B⁽¹⁾	A/B⁽¹⁾	A/B⁽¹⁾
415 VAC	AC-21 A / AC-21 B	125/125	160/160	200/200	250/250	315/315	400/400	500/500
415 VAC	AC-22 A / AC-22 B	125/125	160/160	200/200	250/250	315/315	400/400	500/500
415 VAC	AC-23 A / AC-23 B	125/125	160/160	200/200	200/200	315/315	400/400	500/500
500 VAC	AC-21 A / AC-21 B	125/125	160/160	200/200	250/250	315/315	400/400	500/500
500 VAC	AC-22 A / AC-22 B	125/125	160/160	200/200	200/250	200/315	200/400	500/500
500 VAC	AC-23 A / AC-23 B	80/80	80/80	80/80	200/200	200/200	200/200	400/400
690 VAC ⁽³⁾	AC-21 A / AC-21 B	125/125	160/160	200/200	200/200	200/200	200/200	500/500
690 VAC ⁽³⁾	AC-22 A / AC-22 B	125/125	125/125	125/125	160/160	160/160	160/160	400/400
690 VAC ⁽³⁾	AC-23 A / AC-23 B	63/80	63/80	63/80	125/125	125/125	125/125	400/400
220 VDC	DC-21 A / DC-21 B	125/125	160/160	200/200	250/250	250/250	250/250	500/500
220 VDC	DC-22 A / DC-22 B	125/125	160/160	200/200	250/250	250/250	250/250	500/500
220 VDC	DC-23 A / DC-23 B	125/125	125/125	125/125	200/200	200/200	200/200	500/500
440 VDC ⁽²⁾	DC-21 A / DC-21 B	125/125	125/125	125/125	200/200	200/200	200/200	500/500
440 VDC ⁽²⁾	DC-22 A / DC-22 B	125/125	125/125	125/125	200/200	200/200	200/200	500/500
440 VDC ⁽²⁾	DC-23 A / DC-23 B	125/125	125/125	125/125	200/200	200/200	200/200	500/500
Rated operational currents I_e (A) according to IEC 60947-6-1								
Rated voltage	Utilisation category							
415 VAC	AC-31 B	125	160	200	250	315	400	500
415 VAC	AC-32 B				200	315	400	500
415 VAC	AC-33 B				200	200	200	400
Current rated as conditional short-circuit with fuse gG DIN, according to IEC 60947-3								
Prospective fuse protected short-circuit withstand at 415 VAC(6)		100	100	50	50	50	50	50
Prospective fuse protected short-circuit withstand at 690 VAC(kA rms)					50	50	50	50
Associated fuse rating (A)		125	160	200	250	315	400	500
Short-circuit withstand without protection as per IEC 60947-3								
Rated short-time withstand current 0.3s I_{cw} at 415 VAC (kA rms)		12	12	12	15 ⁽⁴⁾	15 ⁽⁴⁾	15 ⁽⁴⁾	17 ⁽⁴⁾
Rated short-time withstand current 1s I_{cw} at 415 VAC (kA rms)		7	7	7	8 ⁽⁴⁾	8 ⁽⁴⁾	8 ⁽⁴⁾	11 ⁽⁴⁾
Rated peak withstand current at 415 VAC (kA peak)		20	20	20	30	30	30	45
Short-circuit withstand without protection as per IEC 60947-6-1								
Rated short-time withstand current 30 ms I_{cw} at 415 VAC (kA rms)		10	10	10	10	10	10	
Rated short-time withstand current 60 ms I_{cw} at 415 VAC (kA rms)							10	12.6
Connection								
Minimum Cu cable cross-section as per IEC 60947-1 (mm ²)		35	35	50	95	120	185	2 x 95
Recommended Cu busbar cross-section (mm ²)								2 x 32 x 5
Maximum Cu cable cross-section (mm ²)		50	95	120	150	240	240	2 x 185
Maximum Cu busbar width (mm)		25	25	25	32	32	32	50
Min./max. tightening torque (Nm)		9/13	9/13	9/13	20/26	20/26	20/26	40/45
Switching time (rated voltage, after receiving command)								
Transfer time I-II or II-I (s)		0.85	0.85	0.85	0.9	0.9	0.9	0.95
I-0 or II-0 (s)		0.55	0.55	0.55	0.5	0.5	0.5	0.55
Contact transfer time ("black-out" I-II) minimum (s)		0.3	0.3	0.3	0.4	0.4	0.4	0.4
Power supply								
Min./max. power (VAC)		166/332	166/332	166/332	166/332	166/332	166/332	166/332
Control supply power demand								
Demand/rated power (VA) - ATyS r, ATyS d		184/92	184/92	184/92	276/115	276/115	276/115	276/150
Demand/rated power (VA) - ATyS t, g, p		206/114	206/114	206/114	298/137	298/137	298/137	298/172
Mechanical specifications								
Durability (number of operating cycles)		10,000	10,000	10,000	8,000	8,000	8,000	5,000
Weight ATyS r 3 P / 4 P (kg)		5.7/ 6.9	5.7/ 6.9	5.7/ 6.9	6.6/ 7.4	6.7/ 7.8	6.7/ 7.8	11.4/ 13.3
Weight ATyS d 3 P / 4 P (kg)		6.3/ 7.5	6.3/ 7.5	6.3/ 7.5	7.2/ 8.0	7.3/ 8.4	7.3/ 8.4	12.0/ 13.9
Weight ATyS t, g, p 3 P / 4 P (kg)		6.8/ 8.0	6.8/ 8.0	6.8/ 8.0	7.7/ 8.5	7.8/ 8.9	7.8/ 8.9	12.5/ 14.4

(1) Category with index A = frequent operation - Category with index B = infrequent operation. (3) Interphase barriers must be installed on the products.

(2) 3-pole device with 2 pole in series for the "+" an 1 pole for the "-".

(4) Values given at 690 VAC.

4-pole device with 2 poles in series by polarity.

Verify the certification of your product: page 130.

800 to 3200 A

Thermal current I_{th} at 40°C	800 A	1000 A	1250 A	1600 A	2000 A	2500 A	3200 A
Frame size	B6	B6	B6	B7	B8	B8	B8
Rated insulation voltage U_i (V) (power circuit)	1000	1000	1000	1000	1000	1000	1000
Rated impulse withstand voltage U_{imp} (kV) (power circuit)	12	12	12	12	12	12	12
Rated insulation voltage U_i (V) (control circuit)	300	300	300	300	300	300	300
Rated impulse withstand voltage U_{imp} (kV) (control circuit)	4	4	4	4	4	4	4

Rated operational currents I_e (A) according to IEC 60947-3

Rated voltage	Utilisation category	A/B ⁽¹⁾	A/B ⁽¹⁾	A/B ⁽¹⁾	A/B ⁽¹⁾	A/B ⁽¹⁾	A/B ⁽¹⁾	A/B ⁽¹⁾
415 VAC	AC-21 A / AC-21 B	800/800	1000/1000	1250/1250	1600/1600	-/2000	-/2500	-/3200
415 VAC	AC-22 A / AC-22 B	800/800	1000/1000	1250/1250	1600/1600	-/2000	-/2500	-/3200
415 VAC	AC-23 A / AC-23 B	800/800	1000/1000	1250/1250	1250/1250	-/1600	-/1600	-/1600
500 VAC	AC-21 A / AC-21 B	800/800	1000/1000	1250/1250	1600/1600	-/2000	-/2000	-/2000
500 VAC	AC-22 A / AC-22 B	630/630	800/800	1000/1000	1600/1600			
500 VAC	AC-23 A / AC-23 B	630/630	630/630	800/800	1000/1000			
690 VAC ⁽³⁾	AC-21 A / AC-21 B	800/800	1000/1000	1250/1250	1600/1600	-/2000	-/2000	-/2000
690 VAC ⁽³⁾	AC-22 A / AC-22 B	630/630	800/800	1000/1000	1000/1000			
690 VAC ⁽³⁾	AC-23 A / AC-23 B	630/630	630/630	800/800	800/800			
220 VDC	DC-21 A / DC-21 B	800/800	1000/1000	1250/1250	1250/1250			
220 VDC	DC-22 A / DC-22 B	800/800	1000/1000	1250/1250	1250/1250			
220 VDC	DC-23 A / DC-23 B	800/800	1000/1000	1250/1250	1250/1250			
440 VDC ⁽²⁾	DC-21 A / DC-21 B	800/800	1000/1000	1250/1250	1250/1250			
440 VDC ⁽²⁾	DC-22 A / DC-22 B	800/800	1000/1000	1250/1250	1250/1250			
440 VDC ⁽²⁾	DC-23 A / DC-23 B	800/800	1000/1000	1250/1250	1250/1250			

Rated operational currents I_e (A) according to IEC 60947-6-1

Rated voltage	Utilisation category							
415 VAC	AC-31 B	800	1000	1250	1600	2000	2500	3200
415 VAC	AC-32 B	800	1000	1250	1250	2000	2000	2000
415 VAC	AC-33 B	800	1000	1000	1000	1250	1250	1250

Current rated as conditional short-circuit with fuse gG DIN, according to IEC 60947-3

Prospective fuse protected short-circuit withstand at 415 VAC (kA rms)	50	50	100	100				
Prospective fuse protected short-circuit withstand at 690 VAC (kA rms)	50	50	50					
Associated fuse rating (A)	800	1000	1250	2x800				

Short-circuit withstand without protection as per IEC 60947-3

Rated short-time withstand current 0.3s I_{sc} at 415 VAC (kA rms)	64	64	64	78	78	78	78
Rated short-time withstand current 1s I_{sc} at 415 VAC (kA rms)	35	35	35	50	50	50	50
Rated peak withstand current at 415 VAC (kA peak)	55	55	80	110	120	120	120

Short-circuit withstand without protection as per IEC 60947-6-1

Rated short-time withstand current 30 ms I_{sc} at 415 VAC (kA rms)							
Rated short-time withstand current 60 ms I_{sc} at 415 VAC (kA rms)	20	20	25	32	50	50	50

Connection

Minimum Cu cable cross-section as per IEC 60947-1 (mm ²)	2 x 185						
Recommended Cu busbar cross-section (mm ²)	2 x 50 x 5	2 x 63 x 5	2 x 60 x 7	2 x 100 x 5	3 x 100 x 5	2 x 100 x 10	3 x 100 x 10
Maximum Cu cable cross-section (mm ²)	4 x 185	4 x 185	4 x 185	6 x 185			
Maximum Cu busbar width (mm)	63	63	63	100	100	100	100
Min./max. tightening torque (Nm)	9/13	9/13	20/26	40/45	40/45	40/45	40/45

Switching time (rated voltage, after receiving command)

Transfer time I-II or II-I (s)	2.8	2.8	2.8	2.9	2.8	2.8	2.8
I-0 or II-0 (s)	1.4	1.4	1.4	1.4	1.8	1.8	1.8
Contact transfer time ("black-out" I-II) minimum (s)	1.4	1.4	1.4	1.5	1	1	1

Power supply

Min./max. power (VA)	166/332	166/332	166/332	166/332	166/332	166/332	166/332
----------------------	---------	---------	---------	---------	---------	---------	---------

Control supply power demand

Demand/rated power (VA) - ATyS r, ATyS d	460/184	460/184	460/184	460/230	812/322	812/322	812/322
Demand/rated power (VA) - ATyS t, g, p	482/206	482/206	482/206	482/252	834/344	834/344	834/344

Mechanical specifications

Durability (number of operating cycles)	4,000	4,000	4,000	3,000	3,000	3,000	3,000
Weight ATyS r 3 P / 4 P (kg)	27.9/ 32.2	28.4/ 32.9	28.9/ 33.6	33.1/ 39.4	50.7/ 61.6	50.7/ 61.6	61.0/ 75.3
Weight ATyS d 3 P / 4 P (kg)	28.5/ 32.8	29.0/ 33.5	29.5/ 34.2	33.7/ 40.0	51.3/ 62.2	51.3/ 62.2	61.6/ 75.9
Weight ATyS t, g, p 3 P / 4 P (kg)	29.0/ 33.3	29.5/ 34.0	30.0/ 34.7	34.2/ 40.5	51.8/ 62.7	51.8/ 62.7	62.1/ 76.4

(1) Category with index A = frequent operation - Category with index B = infrequent operation. (3) Interphase barriers must be installed on the products.

(2) 3-pole device with 2 pole in series for the "+" an 1 pole for the "-".

(4) Values given at 690 VAC.

4-pole device with 2 poles in series by polarity.

Verify the certification of your product: page 130.

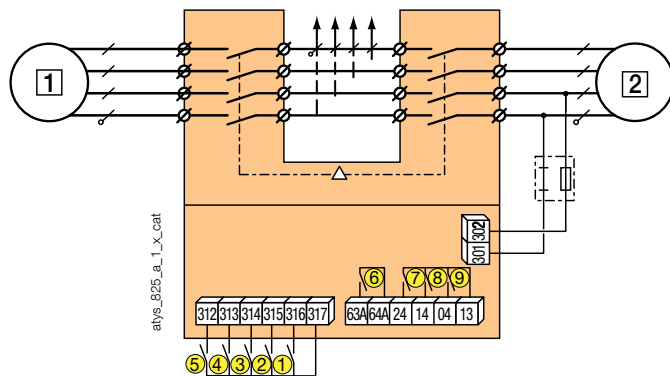
ATyS range

ATyS r, ATyS d, ATyS t, ATyS g, ATyS p

from 125 to 3200 A

Connections and terminals

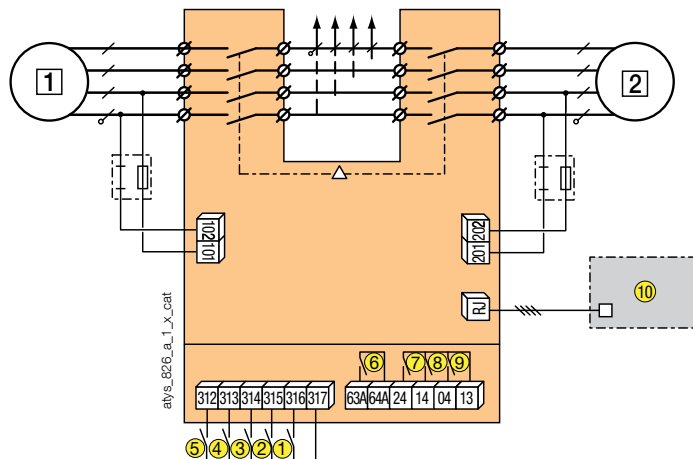
ATyS r



- 1 primary source (network or genset)
- 2 backup source (mains network or genset)

- 1: position 0 control (contact or logic if closed)
- 2: position I control
- 3: position II control
- 4: primary control position 0
- 5: closing this contact allows position control commands
- 6: product availability relay
- 7: auxiliary contact - closed when the switch is in position II
- 8: auxiliary contact - closed when the switch is in position I
- 9: auxiliary contact - closed when the switch is in position 0

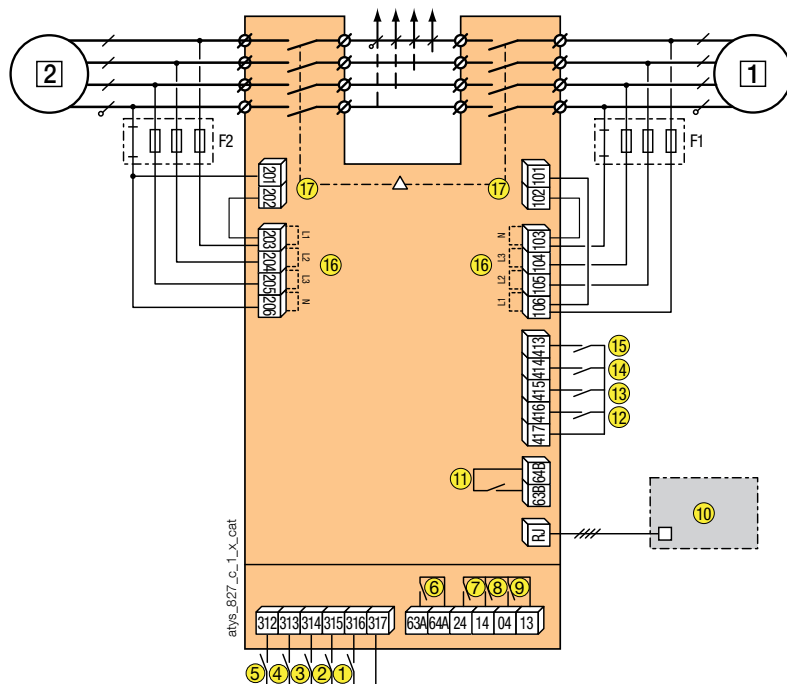
ATyS d



- 1 primary source (mains network or genset)
- 2 backup source (mains network or genset)

- 1: position 0 control (contact or logic if closed)
- 2: position I control
- 3: position II control
- 4: primary control position 0
- 5: closing this contact allows position control commands
- 6: product availability relay
- 7: auxiliary contact - closed when the switch is in position II
- 8: auxiliary contact - closed when the switch is in position I
- 9: auxiliary contact - closed when the switch is in position 0
- 10: D10 remote interface

ATyS t

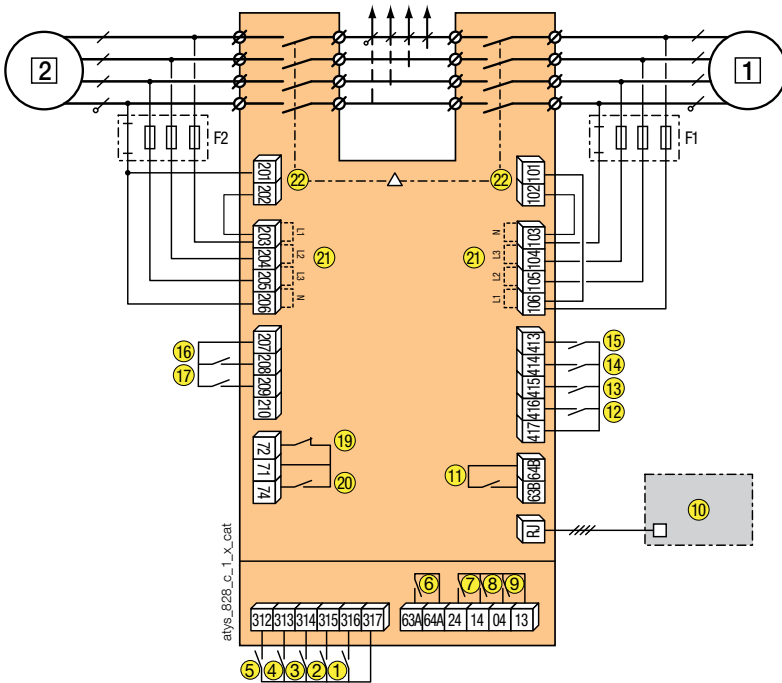


- 1 primary source (mains network)
- 2 backup source (mains)

- 1: position 0 control (contact or logic if closed)
- 2: position I control
- 3: position II control
- 4: primary control position 0
- 5: closing this contact allows position control commands
- 6: Motor unit availability relay
- 7: auxiliary contact - closed when the switch is in position II
- 8: auxiliary contact - closed when the switch is in position I
- 9: auxiliary contact - closed when the switch is in position 0
- 10: D10 remote interface
- 11: Electrical unit availability relay
- 12: automatic operation inhibited
- 13: confirm manual retransfer
- 14: preferred source selection
- 15: function with or without priority
- 16: voltage inputs
- 17: power inputs

Verify the certification of your product: page 130.

ATyS g



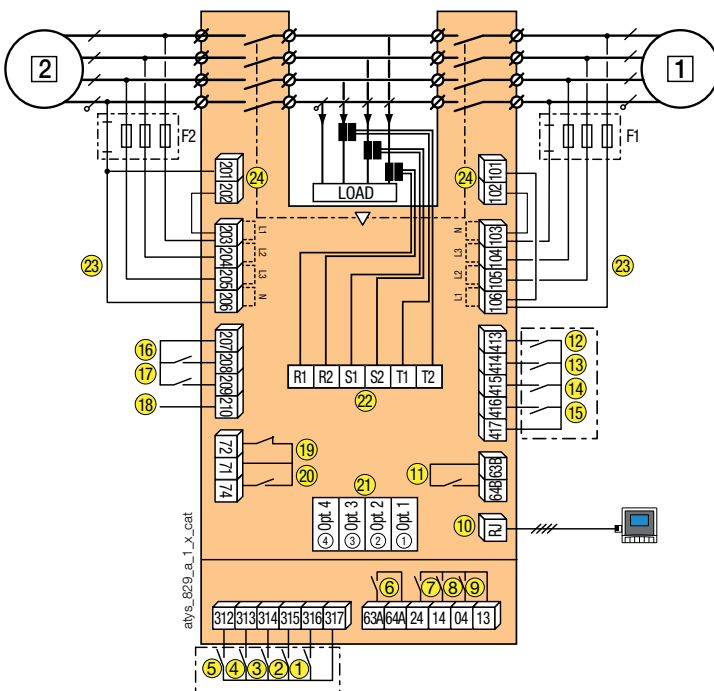
- 1 primary source (mains network)
- 2 backup source (genset or network)
- 1: position 0 control (contact or logic if closed)
- 2: position I control
- 3: position II control
- 4: primary control position 0
- 5: closing this contact allows position control commands
- 6: Motor unit availability relay
- 7: auxiliary contact - closed when the switch is in position II
- 8: auxiliary contact - closed when the switch is in position I
- 9: auxiliary contact - closed when the switch is in position 0
- 10: D10 remote interface
- 11: Electrical unit availability relay
- 12: automatic operation inhibited
- 13: confirm manual retransfer
- 14: bypass for time delay 2AT
- 15: M/G: priority test on load.
M/M: with or without priority.
- 16: remote test without load
- 17: M/G: test on load
M/M: preferred source selection
- 19-20: genset start and stop commands

Order	71/72 (19)	71/74 (20)
Genset start-up	Closed contact	Open contact
Genset stop	Open contact	Closed contact

21 : voltage inputs

22: power inputs

ATyS p



- 1 primary source (network or genset)
- 2 backup source (network or genset)
- 1: position 0 control (contact or logic if closed)
- 2: position I control
- 3: control position II
- 4: primary control position 0
- 5: closing this contact allows position control commands
- 6: Motor unit availability relay
- 7: auxiliary contact - closed when the switch is in position II
- 8: auxiliary contact - closed when the switch is in position I
- 9: auxiliary contact - closed when the switch is in position 0
- 10: D20 remote interface
- 11: Electrical unit availability relay
- 12-17: programmable inputs
- 18: auxiliary power supply for optional modules
- 19-20: genset start and stop commands

Order	71/72 (19)	71/74 (20)
Genset start-up	Closed contact	Open contact
Genset stop	Open contact	Closed contact

21 : 4 slots for optional modules

22: TI measurement connection

23 : voltage inputs

24: power inputs

Verify the certification of your product: page 130.

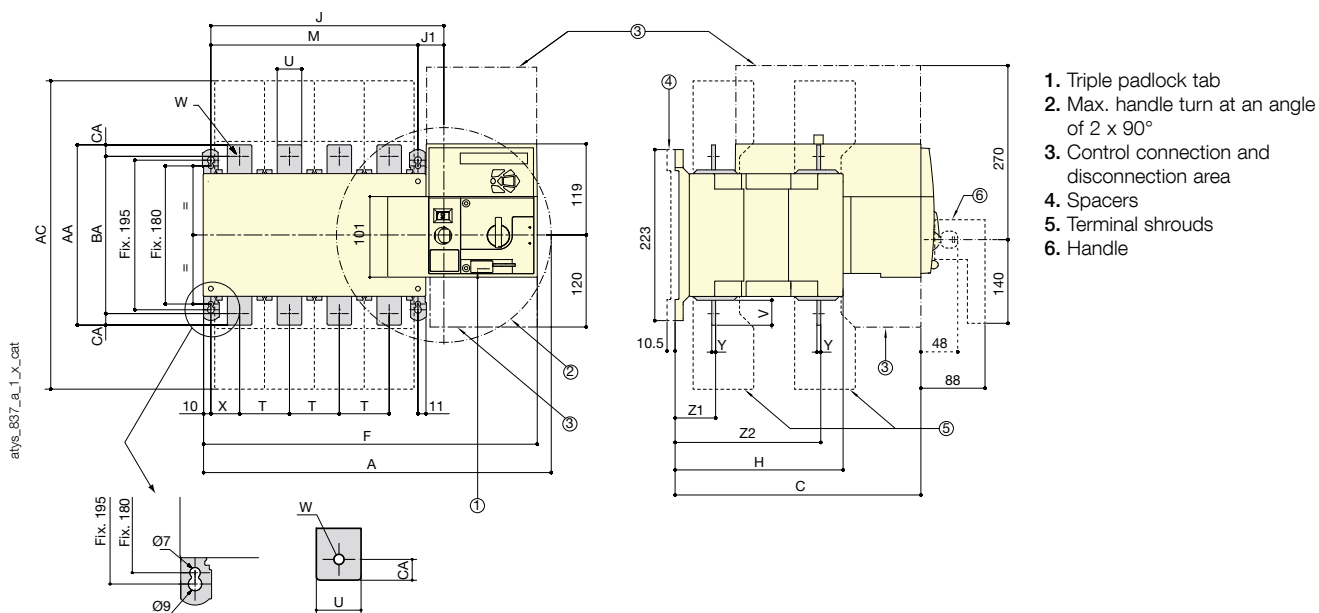
ATyS range

ATyS r, ATyS d, ATyS t, ATyS g, ATyS p

from 125 to 3200 A

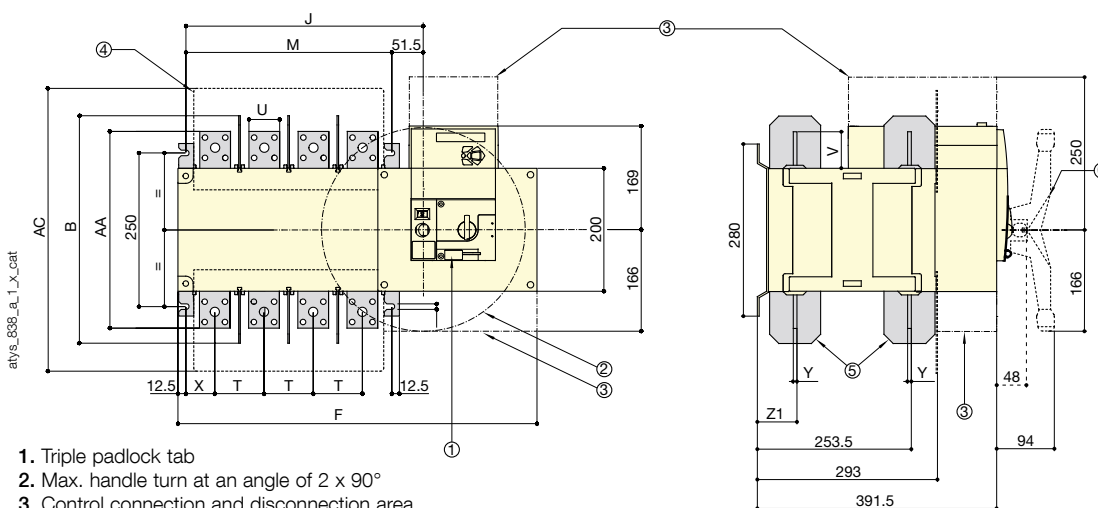
Dimensions

125 to 630 A / B3 to B5



Rating (A) / Frame size	Overall dimensions			Terminal shrouds		Switch body				Switch mounting				Connection										
	A 3p.	A 4p.	C	AC	F 3p.	F 4p.	H	J 3p.	J 4p.	J1	M 3p.	M 4p.	T	U	V	W	X 3p.	X 4p.	Y	Z1	Z2	AA	BA	AC
125 / B3	304	334	244	233	286.5	317	151	154	184	34	120	150	36	20	25	9	28	22	3.5	38	134	135	115	10
160 / B3	304	334	244	233	286.5	317	151	154	184	34	120	150	36	20	25	9	28	22	3.5	38	134	135	115	10
200 / B3	304	334	244	233	286.5	317	151	154	184	34	120	150	36	20	25	9	28	22	3.5	38	134	135	115	10
250 / B4	345	395	244	288	328	378	152	195	245	35	160	210	50	25	30	11	33	33	3.5	39.5	133.5	160	130	15
315 / B4	345	395	244	288	328	378	152	195	245	35	160	210	50	35	35	11	33	33	3.5	39.5	133.5	170	140	15
400 / B4	345	395	244	288	328	378	152	195	245	35	160	210	50	35	35	11	33	33	3.5	39.5	133.5	170	140	15
500 / B5	394	454	320.5	402	377	437	221	244	304	34	210	270	65	32	50	14	42.5	37.5	5	53	190	260	220	15
630 / B5	394	454	320.5	402	377	437	221	244	304	34	210	270	65	45	50	13	42.5	37.5	5	53	190	260	220	20

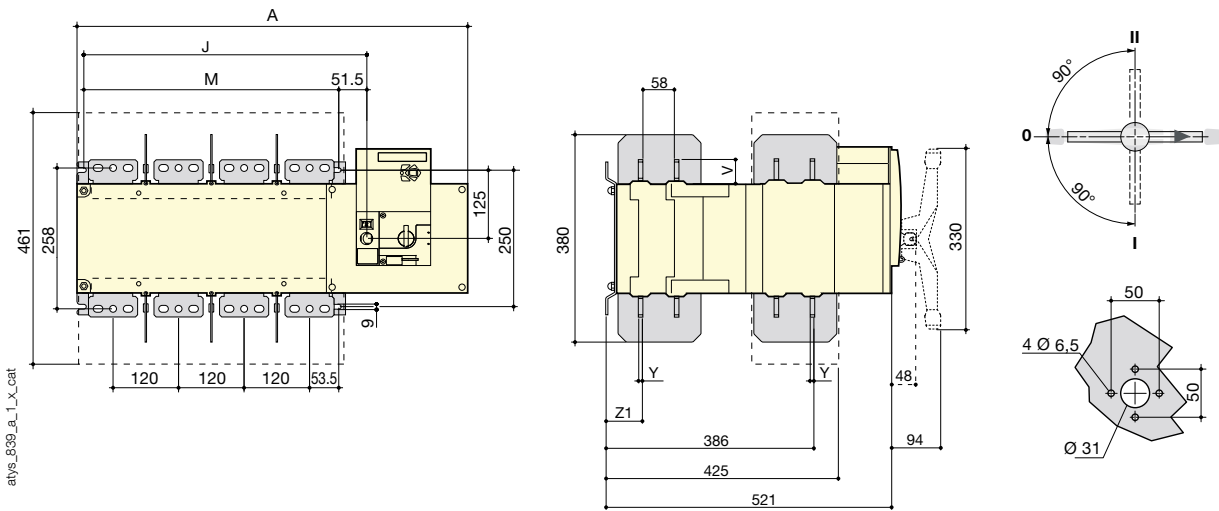
800 to 1600 A / B6 to B7



Rating (A) / Frame size	Overall dimensions		Terminal shrouds		Switch body				Switch mounting		Connection					
	B	AC	F 3p.	F 4p.	J 3p.	J 4p.	M 3p.	M 4p.	T	U	V	X	Y	Z1	AA	
800 / B6	370	461	504	584	306.5	386.5	255	335	80	50	60.5	47.5	7	66.5	321	
1000 / B6	370	461	504	584	306.5	386.5	255	335	80	50	60.5	47.5	7	66.5	321	
1250 / B6	370	461	504	584	306.5	386.5	255	335	80	60	65	47.5	7	66.5	330	
1600/B7	380	531	596	716	398.5	518.5	347	467	120	90	44	53	8	67.5	288	

Verify the certification of your product: page 130.

2000 to 3200 A / B8

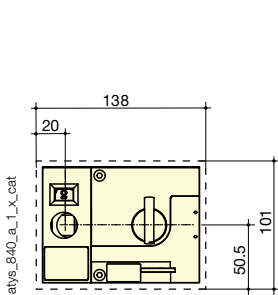


Rating (A)	Overall dimensions B	Terminal shrouds AC	Switch body				Switch mounting			Connection					
			A 3p.	A 4p.	J 3p.	J 4p.	M 3p.	M 4p.	T	U	V	X	Y	Z1	AA
2000 ... 3200	380	531	596	716	399	519	347	467	120	90	44	53	8	67.5	288

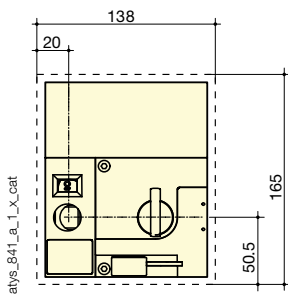
Door cutout

125 to 630 A / B3 to B5

ATyS r

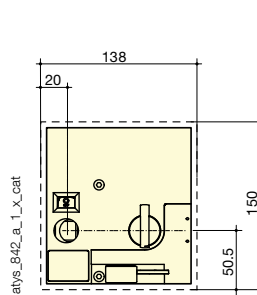


ATyS d, t, g, p

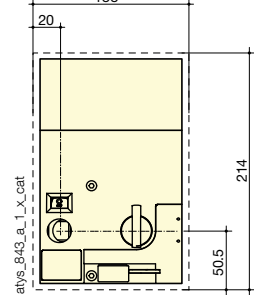


800 to 1600 A / B6 to B7

ATyS r

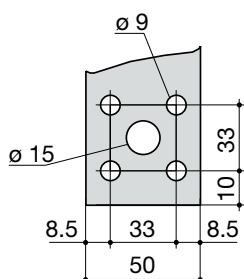


ATyS d, t, g, p

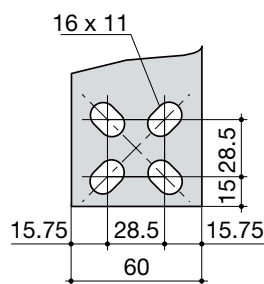


Connection terminals

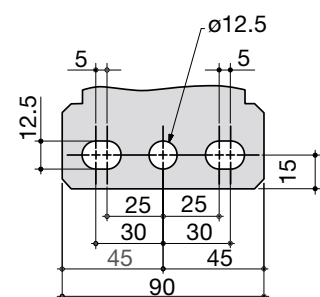
800 to 1000 A / B6



1250 A / B6



1600 to 3200 A / B7 to B8



Verify the certification of your product: page 130.

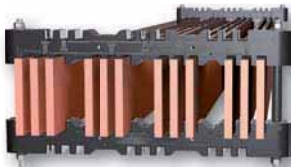


Busbar supports

Busbar

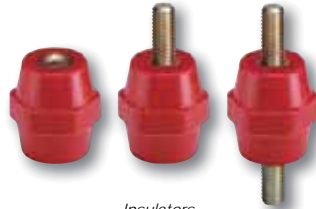
Enclosures
& accessories

new



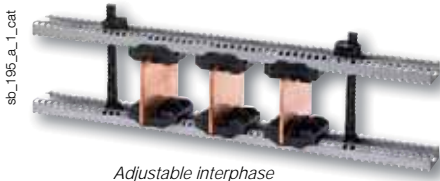
Fixed interphase, SB C 15

sb_214_a_1_cat.psd



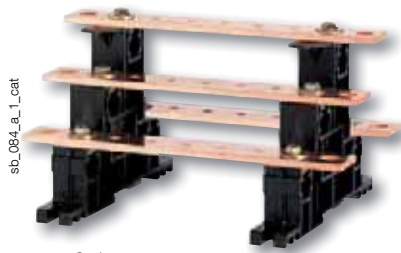
Insulators

sb_103_a_1_cat



Adjustable interphase

sb_195_a_1_cat



Stair type support

sb_084_a_1_cat

Function

SOCOMEK **insulating busbar supports** enable the fixing of copper or aluminium busbars.

Characteristics

Insulators

- Polyester without halogen.
- UL94 VO self-extinguishing.
- Colour red RAL 3002.
- Operating temperature from -40 to +130°C.
- Deformation under load temperature (ASTM D643): > 200°C.
- Dielectric constant (ASTM D150): 4/5.
- Arc resistance (ASTM D495): > 180 s.
- Water absorption (ASTM D570): < 0.3%.

Busbar supports

- High dielectric strength.
- High mechanical resistance.
- Amagnetism of assembly parts.
- High resistance to damp heat (supplied "with a conformal coating").

Stair type supports

- Thermoplastic material.
- VO self-extinguishing.
- Insulating voltage: 1000 V.

The solution for

- > Electrical distribution



Compliance with standards

- > IEC 61439-1
- > IEC 60865-1



Approvals and certifications ⁽¹⁾

- > ASEFA/LCIE



(1) Product references on request.

Available on request

- > Please contact us

Software tool for size selection

Mechanical Systems is a software that can be utilised to size bar sets. It defines the configuration of the busbar system, including bar section and distance between supports, according to the required electrical characteristics of the panel in compliance with standard IEC 61439-1. The software runs on Windows® 95, 98, 2000, NT or XP. Visir our website www.socomec.com.



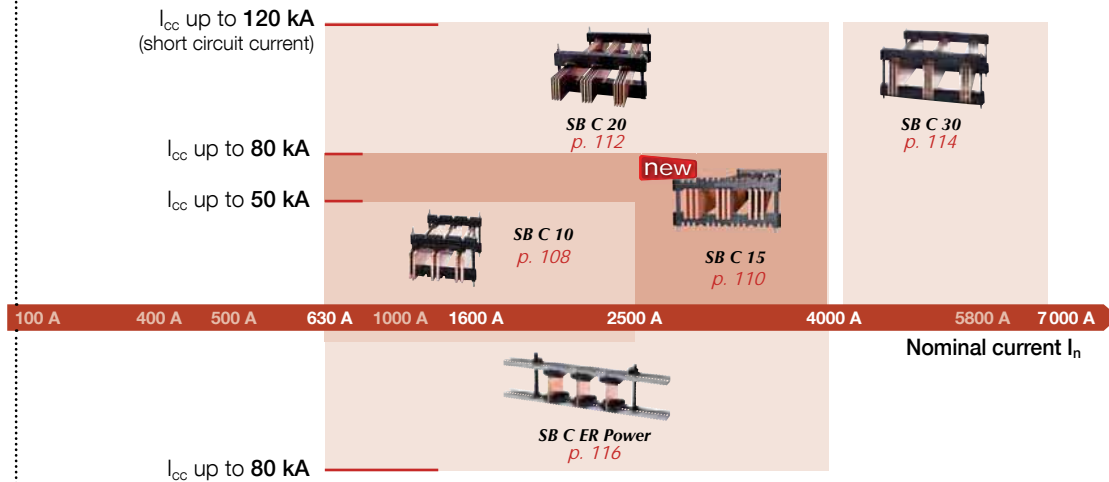
sb_201_b_1_fr_cat.eps

Verify the certification of your product: page 130.

Selection guide

Edgewise mounting

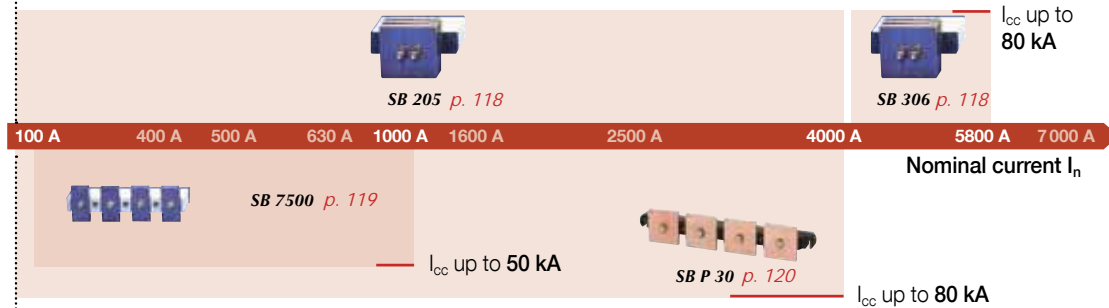
• Busbar supports with **fixed interphase**



• Busbar supports with **adjustable interphase**

Flat mounting

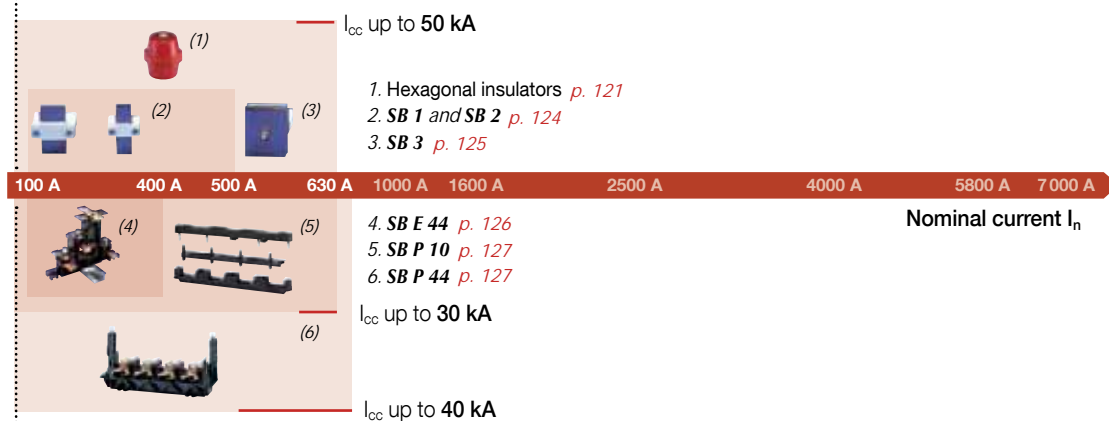
• **Unipolar** busbar supports



• **Multipolar** busbar supports

Other supports

• **Unipolar** busbar supports



• **Tetrapolar** busbar supports

Verify the certification of your product: page 130.

Busbar supports

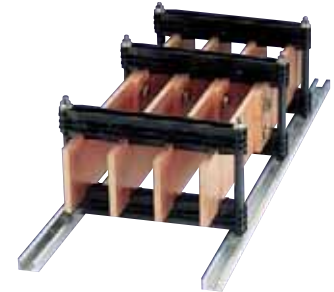
Busbar

SB C 10 multipolar edgewise mounting busbar supports with fixed interphase

References

2 bars of 5 mm or 1 bar of 10 mm

No. of poles	Insulation voltage (VAC)	Number of bars max x bar thickness (mm)	B (mm)	R bar height (mm)	Pack qty	Reference
3	1000	2 x 5 / 1 x 10	160	25	1	5024 6304
3	1000	2 x 5 / 1 x 10	160	40	1	5024 6309
3	1000	2 x 5 / 1 x 10	190	50	1	5024 6310
3	1000	2 x 5 / 1 x 10	190	60	1	5024 6312
3	1000	2 x 5 / 1 x 10	190	63	1	5024 6313
3	1000	2 x 5 / 1 x 10	220	80	1	5024 6317
4	1000	2 x 5 / 1 x 10	160	25	1	5024 6504
4	1000	2 x 5 / 1 x 10	160	40	1	5024 6509
4	1000	2 x 5 / 1 x 10	190	50	1	5024 6510
4	1000	2 x 5 / 1 x 10	190	60	1	5024 6512
4	1000	2 x 5 / 1 x 10	190	63	1	5024 6513
4	1000	2 x 5 / 1 x 10	220	80	1	5024 6517
4	1000	2 x 5 / 1 x 10	220	100	1	5024 6518



sb_061_b_2_cat

1 or 2 bars of 10 mm

No. of poles	Insulation voltage (VAC)	Number of bars max x bar thickness (mm)	B (mm)	R bar height (mm)	Pack qty	Reference
3	800	1 x 10 / 2 x 10	160	25	1	5024 6404
3	800	1 x 10 / 2 x 10	160	40	1	5024 6409
3	800	1 x 10 / 2 x 10	190	50	1	5024 6410
3	800	1 x 10 / 2 x 10	190	60	1	5024 6412
3	800	1 x 10 / 2 x 10	190	63	1	5024 6413
3	800	1 x 10 / 2 x 10	220	80	1	5024 6417
3	800	1 x 10 / 2 x 10	220	100	1	5024 6418
4	1000	1 x 10 / 2 x 10	160	25	1	5024 6604
4	1000	1 x 10 / 2 x 10	160	40	1	5024 6609
4	1000	1 x 10 / 2 x 10	190	50	1	5024 6610
4	1000	1 x 10 / 2 x 10	190	60	1	5024 6612
4	1000	1 x 10 / 2 x 10	190	63	1	5024 6613
4	1000	1 x 10 / 2 x 10	220	80	1	5024 6617
4	1000	1 x 10 / 2 x 10	220	100	1	5024 6618



sb_174_a_2_cat

Accessories

Use

Adjustable interfix profiles allow you to install the busbar supports at a variable depth.



Adjustable interfix profile.

sb_215_a_1_cat.psd

Adjustable interfix profile

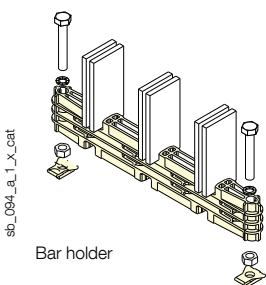
No. of bars	For Depth (mm)	Pack qty	Reference
2 x 5 / 1 x 10	Min. 575 / Max. 675	1	5024 9050
1 x 10 / 2 x 10	Min. 575 / Max. 775	1	5024 9051

Bar holder

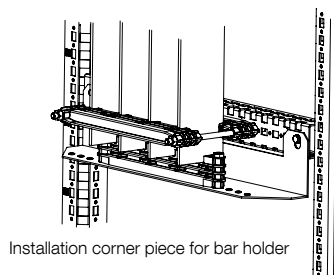
No. of bars	No. of poles	Pack qty	Reference
2 x 5 / 1 x 10	3	1	5024 9031
2 x 5 / 1 x 10	4	1	5024 9041
1 x 10 / 2 x 10	3	1	5024 9034
1 x 10 / 2 x 10	4	1	5024 9044

Installation corner piece

For enclosure Depth (mm)	No. of poles	Pack qty	Reference
Min. 400	3/4 P	1	5024 9000
Min. 600	3/4 P	1	5024 9001



Bar holder



Installation corner piece for bar holder

sb_177_a_1_x_cat

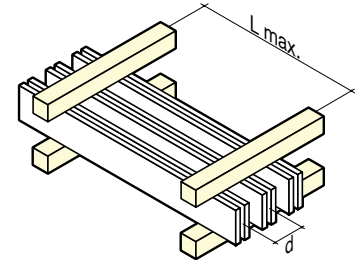
Verify the certification of your product: page 130.

Characteristics

Characteristics of 3 and 4 poles with bars of 5 mm for SB C 10

peak I_{sc}	L max. (support bars in mm) for						d (mm)	Iz (A) ⁽¹⁾
	15 kA	24 kA	48 kA	63 kA	82 kA	114 kA		
rms I_{sc}	9 kA	12 kA	23 kA	30 kA	39 kA	52 kA		
Bar x qty								
25 x 5 x 1	775	475	225	175	140	100	60	330
25 x 5 x 2	675	425	200	160	125		60	590
40 x 5 x 1	1000	625	300	225	175	130	60	500
40 x 5 x 2	950	575	275	225	170	125	60	850
50 x 5 x 1	1000	700	350	250	200	130	60	600
50 x 5 x 2	1000	675	325	250	200	145	60	1050
60 x 5 x 1	1000	775	375	300	225	130	60	700
60 x 5 x 2	1000	775	375	300	225	165	60	1200
63 x 5 x 1	1000	800	400	300	225	130	60	700
63 x 5 x 2	1000	800	400	300	225	170	60	1250
80 x 5 x 1	1000	950	475	350	225	125	60	900
80 x 5 x 2	1000	975	475	375	275	200	60	1550
100 x 5 x 1	1000	1000	550	400	225	125	60	1100
100 x 5 x 2	1000	1000	575	425	325	225	60	1900

(1) Admissible busbar nominal current with a temperature inside the panel of between 45°C and 80°C. For other mounting configurations, please contact us.



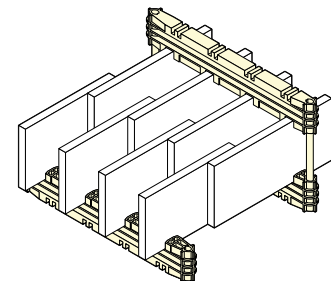
sb_02f_b_1_fr_cat

Adhering to the **maximum distance** between two supports ensures that the busbar supports are able to withstand the given short circuit current values. At these limits, distortion of the copper bars may occur. These deformations are permitted by standard IEC 61439-1 so long as they adhere to the insulation distances.

Characteristics of 3 and 4 poles with bars of 10 mm for SB C 10

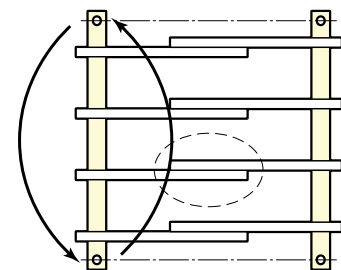
peak I_{sc}	L max. (support bars in mm) for						d (mm)	Iz (A) ⁽¹⁾
	15 kA	24 kA	48 kA	63 kA	82 kA	114 kA		
rms I_{sc}	9 kA	12 kA	23 kA	30 kA	39 kA	52 kA		
Bar x qty								
25 x 10 x 1	1000	1000	500	375	275	200	65	
25 x 10 x 2	1000	1000	525	400	300	200	90	850
40 x 10 x 1	1000	1000	650	475	375	250	65	700
40 x 10 x 2	1000	1000	700	525	400	275	90	1250
50 x 10 x 1	1000	1000	725	550	425	300	65	850
50 x 10 x 2	1000	1000	800	600	475	325	90	1550
60 x 10 x 1	1000	1000	800	625	475	325	65	1000
60 x 10 x 2	1000	1000	900	675	525	350	90	1800
63 x 10 x 1	1000	1000	825	625	475	350	65	1050
63 x 10 x 2	1000	1000	925	700	550	350	90	1850
80 x 10 x 1	1000	1000	975	725	550	400	65	1300
80 x 10 x 2	1000	1000	1000	850	650	350	90	2300
100 x 10 x 1	1000	1000	1000	850	650	400	65	1550
100 x 10 x 2	1000	1000	1000	975	675	350	90	2750

(1) Admissible busbar nominal current with a temperature inside the panel of between 45°C and 80°C. For other mounting configurations, please contact us.



sb_054_b_1_x_cat

Mounting of one or two bars per pole

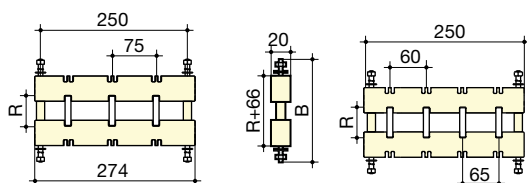


sb_045_b_1_x_cat

Bars joined by reversing a support

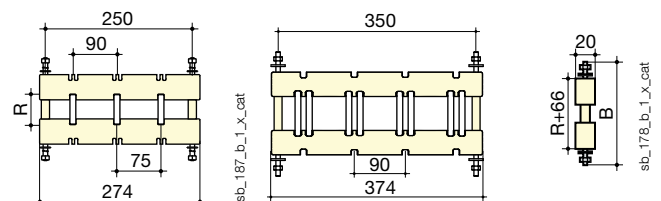
Dimensions

2 bars of 5 mm or 1 bar of 10 mm



sb_112_e_1_x_cat

1 or 2 bars of 10 mm



sb_167_b_1_x_cat

sb_178_b_1_x_cat

Fixed interphase:

- 3 poles 2 x 5, 1 x 10: 75 mm.
- 4 poles thickness bar 5 mm: 60 mm, thickness bar 10 mm: 65 mm.

Fixed interphase:

- 3 poles 1 bar of 10 mm: 75 mm, 2 bars of 10 mm per pole: 90 mm.
- 4 poles 1 or 2 bars of 10 mm: 90 mm.

Verify the certification of your product: page 130.

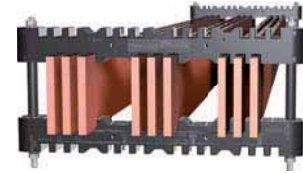
Busbar supports

Busbar

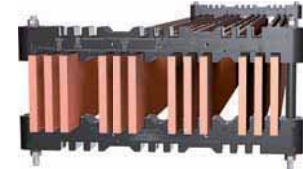
■ SB C 15 multipolar edgewise mounting busbar supports with fixed interphase

References

No. of poles	Insulation voltage (VAC)	Number of bars max x bar thickness (mm)	B (mm)	R bar height (mm)	Pack qty	Reference
3/4 P	1000	3 x 10	160	30	1	5024 4505
3/4 P	1000	3 x 10	160	32	1	5024 4506
3/4 P	1000	3 x 10	160	40	1	5024 4509
3/4 P	1000	3 x 10	190	50	1	5024 4510
3/4 P	1000	3 x 10	190	60	1	5024 4512
3/4 P	1000	3 x 10	220	80	1	5024 4517
3/4 P	1000	3 x 10	220	100	1	5024 4518
3/4 P	1000	3 x 10	245	120	1	5024 4520
3/4 P	1000	3 x 10	245	125	1	5024 4521
3/4 P	1000	3 x 10	280	160	1	5024 4524



sb_219_a_1_cat.psd



sb_214_a_1_cat.psd

The deciding details

- > SB C 15 busbar supports permit the installation of 3 or 4 poles with the same support.

Accessories

Use

Adjustable interfixed profiles allow you to install the busbar supports at a variable depth.

Adjustable interfixed profile		
For Depth (mm)	To be ordered in multiples of	Reference
Min. 575 / Max. 775	1	5024 9052



sb_217_a_1_cat.psd

Adjustable interfixed profile.

Use

Use reinforced profiles when installing high-load busbars. E.g. 3 x 125 x 10.

Adjustable floating profile		
For Depth (mm)	To be ordered in multiples of	Reference
Min. 575 / Max. 775	1	5024 9053

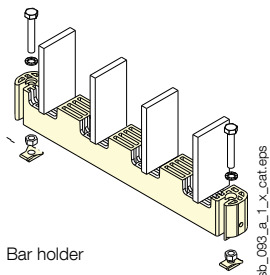


sb_218_a_1_cat.psd

Adjustable floating profile.

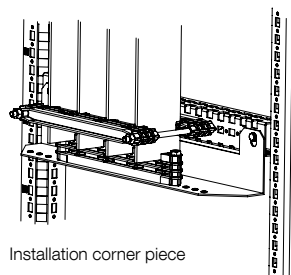
Bar holder		
No. of poles	To be ordered in multiples of	Reference
3 P	1	5024 9032
4 P	1	5024 9042

Installation corner piece		
For Depth (mm)	To be ordered in multiples of	Reference
Min. 400	1	5024 9000
Min. 600	1	5024 9001



Bar holder

sb_093_a_1_x_cat.eps



Installation corner piece

sb_177_a_1_x_cat.eps

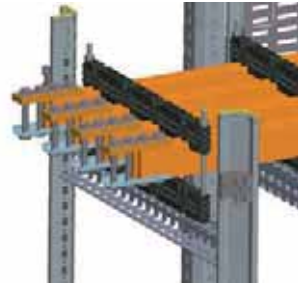
Verify the certification of your product: page 130.

Connection accessories

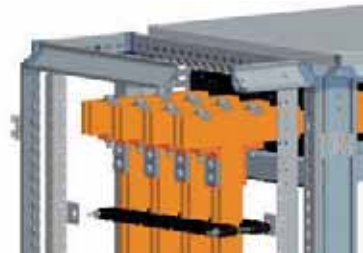
Use

Allows you to fix a horizontal busbar or connect a horizontal and a vertical busbar without having to drill the bars.

Amperage	No. of bars/ pole	To be ordered in multiples of	Horizontal connection Reference	90° connection Reference
1600 A	2	1	5119 4411	5119 4401
3200 A	2	1	5119 4412	5119 4402
5000 A	3	1	5119 4413	5119 4403



kdhys_537_a_1_cat.eps



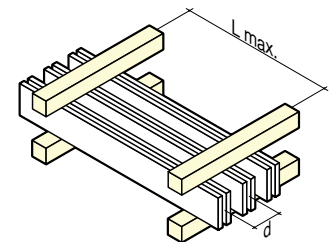
kdhys_538_a_1_cat.eps

Screws				
Type of screw	Bar height (mm)	To be ordered in multiples of	Reference	
H M10 L80	60	1	5119 4505	
H M10 L90	60	1	5119 4506	
H M10 L110	80	1	5119 4508	
H M10 L130	100	1	5119 4510	
H M10 L150	125	1	5119 4512	
H M10 L180	160	1	5119 4513	

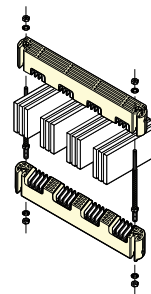
Characteristics

Characteristics of 3 and 4 poles with bars of 10 mm for SB C 15

peak I_{sc}	L max. (support bars in mm) for						D (mm)	Iz (A) ⁽¹⁾
	63 kA	82 kA	114 kA	152 kA	165 kA	176 kA		
rms I_{sc}	30 kA	39 kA	52 kA	69 kA	75 kA	80 kA		
Bar x qty								
32 x 10 x 1	1000	1000	600	225	200	200	90	610
32 x 10 x 2	1000	1000	600	225	200	200	90	1050
32 x 10 x 3	1000	1000	600	225	200	200	90	1500
40 x 10 x 1	1000	1000	600	225	200	200	90	700
40 x 10 x 2	1000	1000	600	225	200	200	90	1250
40 x 10 x 3	1000	1000	600	225	225	200	90	1800
50 x 10 x 1	1000	1000	600	225	200	200	90	850
50 x 10 x 2	1000	1000	600	225	200	200	90	1550
50 x 10 x 3	1000	1000	600	250	200	200	90	2150
60 x 10 x 1	1000	1000	600	250	225	200	90	1000
60 x 10 x 2	1000	1000	600	250	225	200	90	1800
60 x 10 x 3	1000	1000	600	250	225	200	90	2500
80 x 10 x 1	1000	1000	600	275	225	225	90	1300
80 x 10 x 2	1000	1000	600	275	225	225	90	2300
80 x 10 x 3	1000	1000	600	275	225	225	90	3200
100 x 10 x 1	1000	1000	650	300	250	225	90	1550
100 x 10 x 2	1000	1000	650	300	250	225	90	2750
100 x 10 x 3	1000	1000	650	300	250	225	90	3250
125 x 10 x 1	1000	1000	700	350	300	250	90	1900
125 x 10 x 2	1000	1000	700	350	300	250	90	3350
125 x 10 x 3	1000	1000	700	350	300	250	90	4650
160 x 10 x 1	1000	1000	725	375	325	275	90	2350
160 x 10 x 2	1000	1000	725	375	325	275	90	4150
160 x 10 x 3	1000	1000	725	375	325	275	90	5800



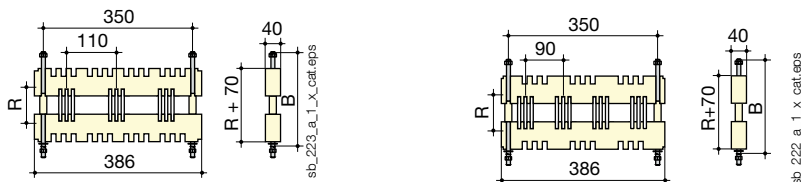
Adhering to the **maximum distance** between two supports ensures that the busbar supports are able to withstand the given short circuit current values. At these limits, distortion of the copper bars may occur. These deformations are permitted by standard IEC 61439-1 so long as they adhere to the insulation distances.



Mounting of one to three bars per pole

(1) Admissible busbar nominal current with a temperature inside the panel of between 45°C and 80°C. For other mounting configurations, please contact us.

Dimensions



Verify the certification of your product: page 130.

Busbar supports

Busbar

SB C 20 multipolar edgewise mounting busbar supports with fixed interphase

References

No. of poles	Insulation voltage (VAC)	No. of bars	Thickness of bar (mm)	B (mm)	R bar height (mm)	Pack qty	Reference
3	1,000	1 - 4	5	190	50	1	5024 8310
3	1,000	1 - 4	5	190	60	1	5024 8312
3	1,000	1 - 4	5	190	63	1	5024 8313
3	1,000	1 - 4	5	220	80	1	5024 8317
3	1,000	1 - 4	5	220	100	1	5024 8318
3	1,000	1 - 4	5	245	120	1	5024 8320
3	1,000	1 - 4	5	245	125	1	5024 8321
3	1,000	1 - 4	5	280	160	1	5024 8324
3	1,000	1 - 2	10	190	50	1	5024 7310
3	1,000	1 - 2	10	190	60	1	5024 7312
3	1,000	1 - 2	10	190	63	1	5024 7313
3	1,000	1 - 2	10	220	80	1	5024 7317
3	1,000	1 - 2	10	220	100	1	5024 7318
3	1,000	1 - 2	10	245	120	1	5024 7320
3	1,000	1 - 2	10	245	125	1	5024 7321
3	1,000	1 - 2	10	280	160	1	5024 7324
4	1,000	1 - 4	5	190	50	1	5024 8410
4	1,000	1 - 4	5	190	60	1	5024 8412
4	1,000	1 - 4	5	190	63	1	5024 8413
4	1,000	1 - 4	5	220	80	1	5024 8417
4	1,000	1 - 4	5	220	100	1	5024 8418
4	1,000	1 - 4	5	245	120	1	5024 8420
4	1,000	1 - 4	5	245	125	1	5024 8421
4	1,000	1 - 4	5	280	160	1	5024 8424
4	1,000	1 - 2	10	190	50	1	5024 7410
4	1,000	1 - 2	10	190	60	1	5024 7412
4	1,000	1 - 2	10	190	63	1	5024 7413
4	1,000	1 - 2	10	220	80	1	5024 7417
4	1,000	1 - 2	10	220	100	1	5024 7418
4	1,000	1 - 2	10	245	120	1	5024 7420
4	1,000	1 - 2	10	245	125	1	5024 7421
4	1,000	1 - 2	10	280	160	1	5024 7424



sb_077_a_1_cat

Our advantages

- > The key details : SB C 20 busbar supports have threaded holes which allow a protective screen to be attached. The supports are fixed in place using threaded rods and M8 nuts.



Threaded rods and nuts, M8

SB C 20 Tapped holes

Accessories

Use

Adjustable interfix profiles allow you to install the busbar supports at a variable depth.

Adjustable interfix profile

For depth (mm)	To be ordered in multiples of	Reference
Min. 575 / Max. 775	1	5024 9052

Use

Use reinforced profiles when installing high-load busbars. E.g. 2 x 160 x 10.

Adjustable floating profile

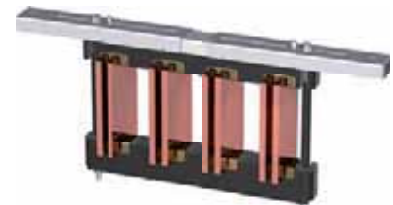
For depth (mm)	To be ordered in multiples of	Reference
Min. 575 / Max. 775	1	5024 9053

Bar holder

No. of poles	To be ordered in multiples of	Reference
3 P	1	5024 9032
4 P	1	5024 9042

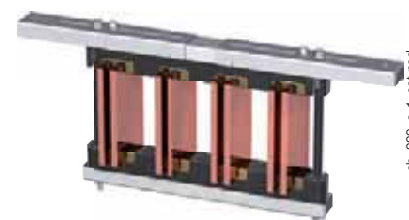
Installation corner piece

For enclosure Depth (mm)	To be ordered in multiples of	Reference
Min. 400	1	5024 9000
Min. 600	1	5024 9001



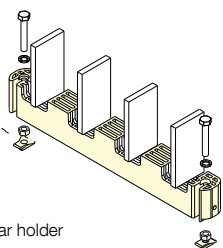
Adjustable interfix profile.

sb_219_a_1_cat.psd



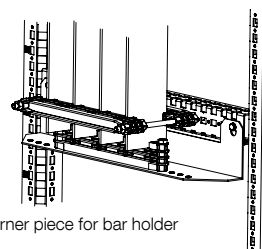
Adjustable floating profile.

sb_220_a_1_cat.psd



sb_083_a_1_x_cat

Bar holder



sb_177_a_1_x_cat

Installation corner piece for bar holder

Verify the certification of your product: page 130.

Characteristics

Characteristics of 3 and 4 poles with bars of 5 mm for SB C 20

peak I_{sc}	L max. (support bars in mm) for								d (mm)	Iz (A) ⁽¹⁾
	63 kA	82 kA	114 kA	152 kA	165 kA	187 kA	220 kA	264 kA		
rms I_{sc}	30 kA	39 kA	52 kA	69 kA	75 kA	85 kA	100 kA	120 kA		
Bar x qty										
50 x 5 x 1	625	475	350	250	225	200	175	150	90	600
50 x 5 x 2	525	400	300	225	200	175	155	130	90	1,050
50 x 5 x 3	600	450	325	250	225	200	175	145	90	1,450
50 x 5 x 4	675	525	375	275	250	225	175	160	90	1,850
60 x 5 x 1	675	525	375	275	250	225	200	165	90	700
60 x 5 x 2	600	450	325	250	225	200	175	145	90	1,200
60 x 5 x 3	675	525	375	275	250	225	175	165	90	1,700
60 x 5 x 4	750	575	400	300	275	250	200	175	90	2,150
63 x 5 x 1	700	550	375	275	250	225	200	170	90	700
63 x 5 x 2	625	475	350	250	225	200	175	150	90	1,250
63 x 5 x 3	700	525	375	275	250	225	200	170	90	1,800
63 x 5 x 4	775	600	425	325	275	250	200	175	90	2,250
80 x 5 x 1	800	625	450	325	300	250	225	175	90	900
80 x 5 x 2	725	550	400	300	275	250	200	175	90	1,550
80 x 5 x 3	800	625	450	325	300	275	225	175	90	2,200
80 x 5 x 4	875	675	475	350	325	300	250	200	90	2,750
100 x 5 x 1	900	700	500	375	350	300	250	200	90	1,100
100 x 5 x 2	850	650	475	350	325	275	225	200	90	1,900
100 x 5 x 3	925	700	500	375	350	300	250	200	90	2,650
100 x 5 x 4	975	750	525	400	375	325	275	225	90	3,350
125 x 5 x 1	1000	800	575	425	400	350	300	250	90	1,300
125 x 5 x 2	975	750	550	400	375	325	275	225	90	2,350
125 x 5 x 3	1000	800	575	425	400	350	300	250	90	3,250
125 x 5 x 4	1000	825	575	425	400	350	300	250	90	4,100

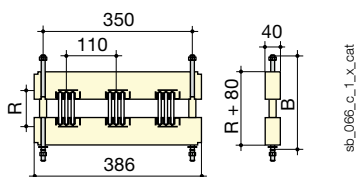
(1) Admissible busbar nominal current with a temperature inside the panel of between 45°C and 80°C.
For other mounting configurations, please contact us.

Characteristics of 3 and 4 poles with bars of 10 mm for SB C 20

peak I_{sc}	L max. (support bars in mm) for								d (mm)	Iz (A) ⁽¹⁾
	63 kA	82 kA	114 kA	152 kA	165 kA	187 kA	220 kA	264 kA		
rms I_{sc}	30 kA	39 kA	52 kA	69 kA	75 kA	85 kA	100 kA	120 kA		
Bar x qty										
50 x 10 x 1	1000	925	675	500	450	400	350	275	90	850
50 x 10 x 2	1000	850	600	450	400	350	300	250	90	1550
60 x 10 x 1	1000	1000	725	550	500	450	375	300	90	1000
60 x 10 x 2	1000	925	675	500	450	400	350	275	90	1800
63 x 10 x 1	1000	1000	750	550	525	450	375	325	90	1050
63 x 10 x 2	1000	950	675	500	475	400	350	275	90	1890
80 x 10 x 1	1000	1000	850	625	575	525	425	350	90	1300
80 x 10 x 2	1000	1000	775	575	525	475	400	325	90	2300
100 x 10 x 1	1000	1000	950	700	650	575	475	400	90	1550
100 x 10 x 2	1000	1000	850	625	575	525	425	350	90	2750
125 x 10 x 1	1000	1000	1000	800	725	650	550	450	90	1900
125 x 10 x 2	1000	1000	925	675	625	550	475	400	90	3350
160 x 10 x 1	1000	1000	1000	900	825	725	625	500	90	2350
160 x 10 x 2	1000	1000	950	700	650	575	475	400	90	4150

(1) Admissible busbar nominal current with a temperature inside the panel of between 45°C and 80°C.
For other mounting configurations, please contact us.

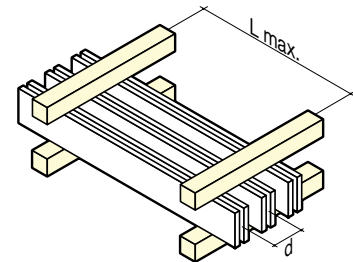
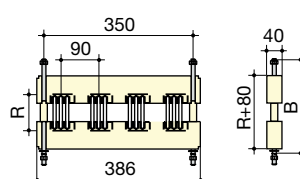
Dimensions



Fixed interphase:

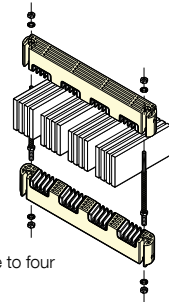
- 3 poles: 110 mm
- 4 poles: 90 mm

Verify the certification of your product: page 130.



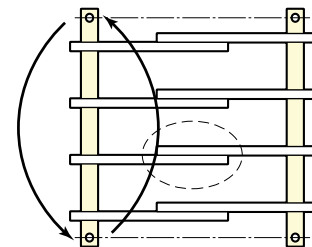
sb_021_b_1_x_cat

Adhering to the **maximum distance** between two supports ensures that the busbar supports are able to withstand the given short circuit current values. At these limits, distortion of the copper bars may occur. These deformations are permitted by standard IEC 61439-1 so long as they adhere to the insulation distances.



Assembly of one to four bars per pole

sb_063_a_1_x_cat



Bars joined by reversing a support

sb_045_b_1_x_cat

Busbar supports

Busbar

SB C 30 multipolar edgewise mounting busbar supports with fixed interphase

References

No. of poles	Insulation voltage (VAC)	No. of bars	Thickness of bar (mm)	B (mm)	R bar height (mm)	Pack qty	Reference
3	1,000	1 - 3	10	190	50	1	5024 5310
3	1,000	1 - 3	10	190	60	1	5024 5312
3	1,000	1 - 3	10	190	63	1	5024 5313
3	1,000	1 - 3	10	190	70	1	5024 5315
3	1,000	1 - 3	10	220	80	1	5024 5317
3	1,000	1 - 3	10	220	100	1	5024 5318
3	1,000	1 - 3	10	245	120	1	5024 5320
3	1,000	1 - 3	10	245	125	1	5024 5321
3	1,000	1 - 3	10	280	160	1	5024 5324
3	1,000	1 - 3	10	325	200	1	5024 5325
4	1,000	1 - 3	10	190	50	1	5024 5510
4	1,000	1 - 3	10	190	60	1	5024 5512
4	1,000	1 - 3	10	190	63	1	5024 5513
4	1,000	1 - 3	10	190	70	1	5024 5515
4	1,000	1 - 3	10	220	80	1	5024 5517
4	1,000	1 - 3	10	220	100	1	5024 5518
4	1,000	1 - 3	10	245	120	1	5024 5520
4	1,000	1 - 3	10	245	125	1	5024 5521
4	1,000	1 - 3	10	280	160	1	5024 5524
4	1,000	1 - 3	10	325	200	1	5024 5525



sb_173_a_2_cat

Accessories

Use

Adjustable interfixed profiles allow you to install the busbar supports at a variable depth.

Adjustable interfixed profile		
For depth (mm)	To be ordered in multiples of	Reference
Min. 575 / Max. 775	1	5024 9054

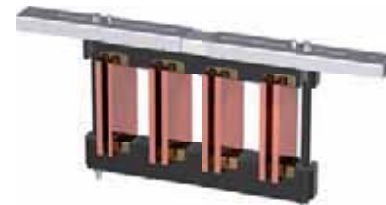
Use

Use reinforced profiles when installing high-load busbars. E.g. 3 x 125 x 10.

Adjustable floating profile		
For depth (mm)	To be ordered in multiples of	Reference
Min. 575 / Max. 775	1	5024 9055

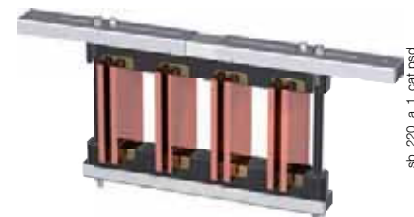
Bar holder		
No. of poles	To be ordered in multiples of	Reference
3/4 P	1	5024 9033

Installation corner piece		
For depth (mm)	To be ordered in multiples of	Reference
Min. 600	1	5024 9001



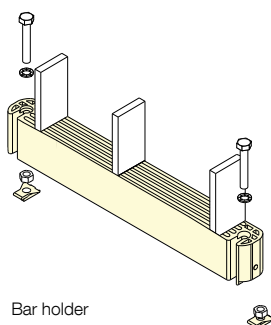
Adjustable interfixed profile.

sb_219_a_1_cat.psd



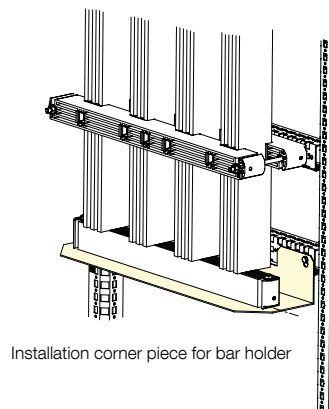
Adjustable floating profile.

sb_220_a_1_cat.psd



Bar holder

sb_122_b_1_x_cat



Installation corner piece for bar holder

sb_180_a_1_x_cat

Verify the certification of your product: page 130.

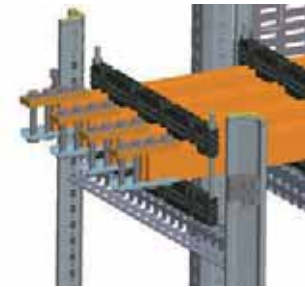
Connection accessories

Use

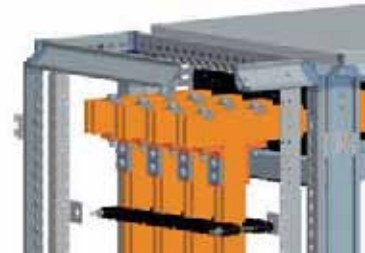
Allows you to fix a horizontal busbar or connect a horizontal and a vertical busbar without having to drill the bars.

Amperage	No. of bars/ pole	To be ordered in multiples of	Horizontal connection Reference	90° connection Reference
1600 A	2	1	5119 4411	5119 4401
3200 A	2	1	5119 4412	5119 4402
5000 A	3	1	5119 4413	5119 4403

Screws			
Type of screw	Bar height	To be ordered in multiples of	Reference
H M10 L80	60	1	5119 4505
H M10 L90	60	1	5119 4506
H M10 L110	80	1	5119 4508
H M10 L130	100	1	5119 4510
H M10 L150	125	1	5119 4512
H M10 L180	160	1	5119 4513



kdhys_537_a_1_cat.eps



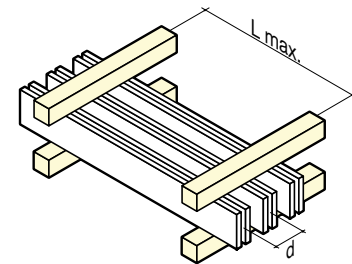
kdhys_538_a_1_cat.eps

Characteristics

Characteristics of 3 and 4 poles with bars of 10 mm for SB C 30

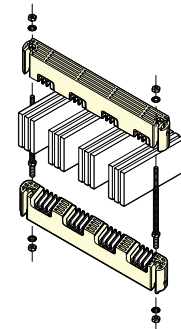
peak I_{sc}	L max. (support bars in mm) for								d (mm)	I_z (A) (1)
	63 kA	82 kA	114 kA	152 kA	165 kA	187 kA	220 kA	264 kA		
rms I_{sc}	30 kA	39 kA	52 kA	69 kA	75 kA	85 kA	100 kA	120 kA		
Bar x qty										
50 x 10 x 1	1000	1000	800	600	550	475	400	350	130	850
50 x 10 x 2	1000	900	650	475	450	400	325	275	130	1,550
50 x 10 x 3	725	550	400	300	275	225	200	175	130	2,150
60 x 10 x 1	1000	1000	875	650	600	525	450	375	130	1,000
60 x 10 x 2	1000	1000	725	525	500	425	375	300	130	1,800
60 x 10 x 3	825	625	450	325	300	275	225	175	130	2,500
63 x 10 x 1	1000	1000	900	675	600	550	450	375	130	1,050
63 x 10 x 2	1000	1000	725	550	500	450	375	300	130	1,850
63 x 10 x 3	850	650	450	350	325	275	225	200	130	2,600
80 x 10 x 1	1000	1000	1000	750	675	600	500	425	130	1,300
80 x 10 x 2	1000	1000	825	625	575	500	425	350	130	2,300
80 x 10 x 3	1000	750	550	400	375	325	275	225	130	3,200
100 x 10 x 1	1000	1000	1000	825	750	675	575	475	130	1,550
100 x 10 x 2	1000	1000	925	675	625	550	475	400	130	2,750
100 x 10 x 3	1000	900	650	475	425	375	325	275	130	3,250
125 x 10 x 1	1000	1000	1000	925	850	750	625	525	130	1,900
125 x 10 x 2	1000	1000	1000	750	675	600	500	425	130	3,350
125 x 10 x 3	1000	1000	750	550	525	450	375	325	130	4,650
160 x 10 x 1	1000	1000	1000	1000	925	825	700	575	130	2,350
160 x 10 x 2	1000	1000	1000	750	700	625	525	425	130	4,150
160 x 10 x 3	1000	1000	900	675	625	550	475	375	130	5,800
200 x 10 x 1	1000	1000	1000	1000	1000	900	750	625	130	2,850
200 x 10 x 2	1000	1000	925	700	625	550	475	400	130	5,050
200 x 10 x 3	1000	1000	725	525	500	425	375	300	130	7,000

(1) Admissible busbar nominal current with a temperature inside the panel of between 45°C and 80°C.
For other mounting configurations, please contact us.



sb_021_lb_1_x_cat

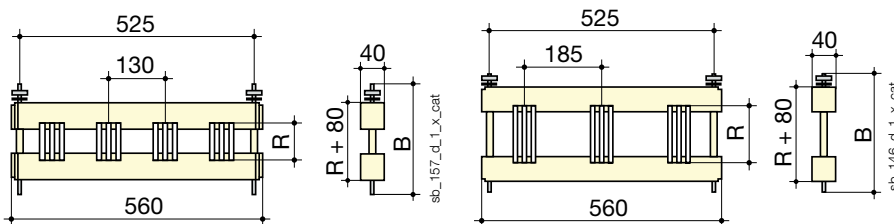
Adhering to the **maximum distance** between two supports ensures that the busbar supports are able to withstand the given short circuit current values. At these limits, distortion of the copper bars may occur. These deformations are permitted by standard IEC 61439-1 so long as they adhere to the insulation distances.



sb_162_a_1_x_cat

Mounting of one to three bars per pole

Dimensions



Fixed interphase:
 • 3 poles: 185 mm
 • 4 poles: 130 mm

Verify the certification of your product: page 130.

Busbar supports

Busbar

SB C ER P multipolar edgewise mounting busbar supports with adjustable interphase

References

Complete busbar support

Designation	Thickness of bar (mm)	Width of bar (mm)	No. of bars	No. of poles	Reference
Complete support	10	480	1 ... 3	4	5025 5135

Insert

Designation	Thickness of bar (mm)	No. of bars	No. of poles	Quantity	To be ordered in multiples of	Reference
Insert for 5 mm bars	5	3	3	6 ⁽¹⁾	8	5025 5205
Insert for 5 mm bars	5	3	4	8 ⁽¹⁾	8	5025 5205
Insert for 10 mm bars	10	2	3	6 ⁽¹⁾	4	5025 5210
Insert for 10 mm bars	10	2	4	8 ⁽¹⁾	4	5025 5210
Insert for 10 mm bars	10	3	3	6 ⁽¹⁾	1	5025 5111
Insert for 10 mm bars	10	3	4	8 ⁽¹⁾	1	5025 5111



Ordering guide

- For three poles, order: 6 x inserts, 2 x studs, 2 x profiles.
- For four poles, order: 8 x inserts, 2 x studs, 2 x profiles.

Mounting accessories

Designation	Length (mm)	Quantity	To be ordered in multiples of	Reference
Stud kit (bar height 25 to 200 mm)		2 ⁽¹⁾	4	5025 5100
Stud kit metal (bar height 0 to 100 mm)		2	2	5025 5101
Stud kit metal (bar height 0 to 200 mm)		2	2	5025 5102
380 mm profile	380	2 ⁽¹⁾	4	5025 5124
480 mm profile	480	2 ⁽¹⁾	4	5025 5125
580 mm profile	580	2 ⁽¹⁾	4	5025 5126
780 mm profile	780	2 ⁽¹⁾	4	5025 5128
2 m profile	2000		4	5025 5120
Profile for Prisma enclosure ⁽²⁾	525	1 ⁽¹⁾	1	5025 5130

⁽¹⁾ Quantity required for 1 busbar support inserts.

⁽²⁾ Kit of 2 profiles and 4 brackets.

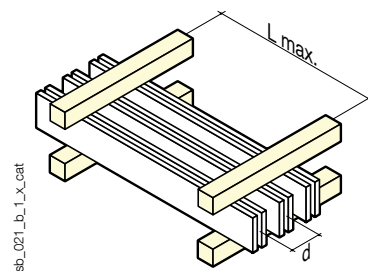
Characteristics

5 mm inserts for up to 3 bars and 10 mm inserts for up to 2 bars

peak I _{sc}	L max. (support bars in mm) for					d min. (mm)	I _z (A) ⁽¹⁾
	82 kA	114 kA	152 kA	165 kA	187 kA		
rms I _{sc}	39 kA	52 kA	69 kA	75 kA	85 kA		
Bar x qty							
50 x 5 x 1	500	325	175	150		75	600
50 x 5 x 2	500	325	175	150	100	75	1050
50 x 5 x 3	500	325	175	150	100	75	1450
63 x 5 x 1	525	350	200	175		75	700
63 x 5 x 2	525	350	200	175	125	75	1250
63 x 5 x 3	525	350	200	175	125	75	1800
80 x 5 x 1	525	350	200	175	125	75	900
80 x 5 x 2	525	350	200	175	125	75	1550
80 x 5 x 3	525	350	200	175	125	75	2200
100 x 5 x 1	550	375	225	200	175	75	1100
100 x 5 x 2	550	375	225	200	175	75	1900
100 x 5 x 3	550	375	225	200	175	75	2650
125 x 5 x 1	575	400	250	225	200	75	1300
125 x 5 x 2	575	400	250	225	200	75	2350
125 x 5 x 3	575	400	250	225	200	75	3250
80 x 10 x 1	1000	750	350	300	200	75	1300
80 x 10 x 2	1000	750	350	300	200	75	2300
100 x 10 x 1	1000	750	375	325	225	75	1550
100 x 10 x 2	1000	775	375	325	225	75	2750
125 x 10 x 1	1000	775	375	325	225	75	1900
125 x 10 x 2	1000	775	375	325	225	75	3350
160 x 10 x 1	1000	775	400	350	250	75	2350
160 x 10 x 2	1000	800	400	350	250	75	4150

⁽¹⁾ Admissible busbar nominal current with a temperature inside the panel of between 45°C and 80°C.

For other mounting configurations, please contact us.



Adhering to the **maximum distance** between two supports ensures that the busbar supports are able to withstand the given short circuit current values. At these limits, distortion of the copper bars may occur. These deformations are permitted by standard IEC 61439-1 so long as they adhere to the insulation distances.

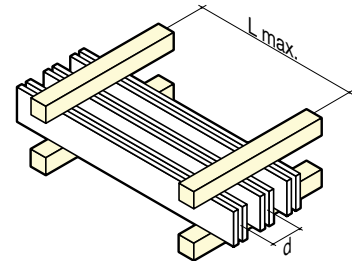
Verify the certification of your product: page 130.

Characteristics (continued)

10 mm insert / 3 bars

peak I_{sc}	L max. (bar supports in mm)						D (mm)	Iz (A) ⁽¹⁾
	63 kA	82 kA	114 kA	152 kA	165 kA	187 kA		
rms I_{sc}	30 kA	39 kA	52 kA	69 kA	75 kA	85 kA		
Bar x qty								
50 x 10 x 1	1000	1000	650	250	200	150	70	850
50 x 10 x 2	1000	1000	650	250	200	150	70	1550
50 x 10 x 3	1000	1000	650	250	200	150	70	2150
63 x 10 x 1	1000	1000	675	275	225	175	70	1050
63 x 10 x 2	1000	1000	675	275	225	175	70	1850
63 x 10 x 3	1000	1000	675	275	225	175	70	2600
80 x 10 x 1	1000	1000	700	300	250	175	70	1300
80 x 10 x 2	1000	1000	700	300	250	175	70	2300
80 x 10 x 3	1000	1000	700	300	250	175	70	3200
100 x 10 x 1	1000	1000	725	325	275	175	70	1550
100 x 10 x 2	1000	1000	725	325	275	175	70	2750
100 x 10 x 3	1000	1000	725	325	275	175	70	3250
125 x 10 x 1	1000	1000	725	350	275	200	70	1900
125 x 10 x 2	1000	1000	725	350	275	200	70	3350
125 x 10 x 3	1000	1000	725	350	275	200	70	4650
160 x 10 x 1	1000	1000	750	350	300	200	70	2350
160 x 10 x 2	1000	1000	750	350	300	200	70	4150
160 x 10 x 3	1000	1000	750	350	300	200	70	5800

(1) Admissible busbar nominal current with a temperature inside the panel of between 45°C and 80°C.
For other mounting configurations, please contact us.



Adhering to the **maximum distance** between two supports ensures that the busbar supports are able to withstand the given short circuit current values. At these limits, distortion of the copper bars may occur. These deformations are permitted by standard IEC 61439-1 so long as they adhere to the insulation distances.

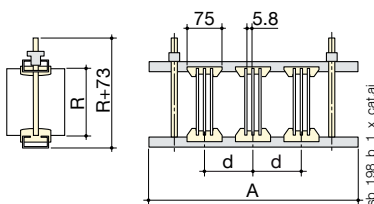
sb_021_b_1_x_cat.eps

Dimensions

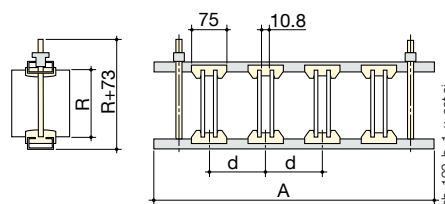
Mounting

- 1 to 3 bars of 5 mm thickness, per phase.
- 1 to 3 bars of 10 mm thickness, per phase.
- Interphase distance: min. 70 mm and max. 200 mm.
- Use 2 studs positioned symmetrically on the extremity of the poles or between the outermost poles.

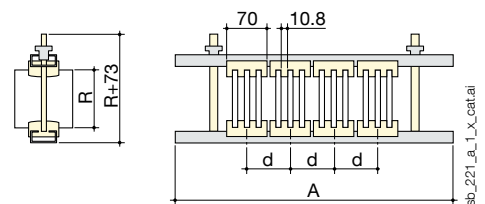
A (mm)	Enclosure (mm)
380	400
480	500
580	600
780	800



5 mm insert / 3 bars



10 mm insert / 2 bars



10 mm insert / 3 bars

Verify the certification of your product: page 130.

Busbar supports

Busbar

SB 205 - SB 306 unipolar flat mounting busbar supports

References

Support	Insulation voltage (VAC)	No. of bars	Bar width (mm)	To be ordered in multiples of	Reference
SB 205	1,000	1 - 3	100	6	5022 5110
SB 306	1,000	1 - 3	160	6	5023 6110

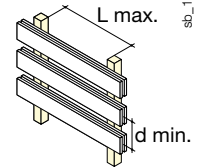
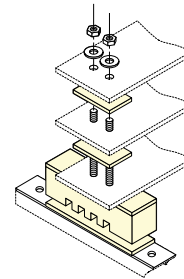


sb_117_a_1_cat.eps

Characteristics

Support	Bar x qty	L max. (support bars in mm) for						d min. (mm)	Iz (A) ⁽¹⁾	
		peak I _{sc}	48 kA	63 kA	82 kA	114 kA	152 kA			165 kA
		rms I _{sc}	23 kA	30 kA	39 kA	52 kA	69 kA			75 kA
SB 205	100 x 10 x 1	1000	1000	1000	1000	1000	1000	125	1550	
SB 205	100 x 10 x 2	1000	1000	1000	1000	1000	1000	125	2750	
SB 205	100 x 10 x 3	1000	1000	1000	1000	1000	1000	125	3850	
SB 306	160 x 10 x 1	1000	1000	1000	1000	1000	1000	175	2350	
SB 306	160 x 10 x 2	1000	1000	1000	1000	1000	1000	175	4150	
SB 306	160 x 10 x 3	1000	1000	1000	1000	1000	1000	175	5800	

(1) Admissible busbar nominal current with a temperature inside the panel of between 45°C and 80°C. For other mounting configurations, please contact us.

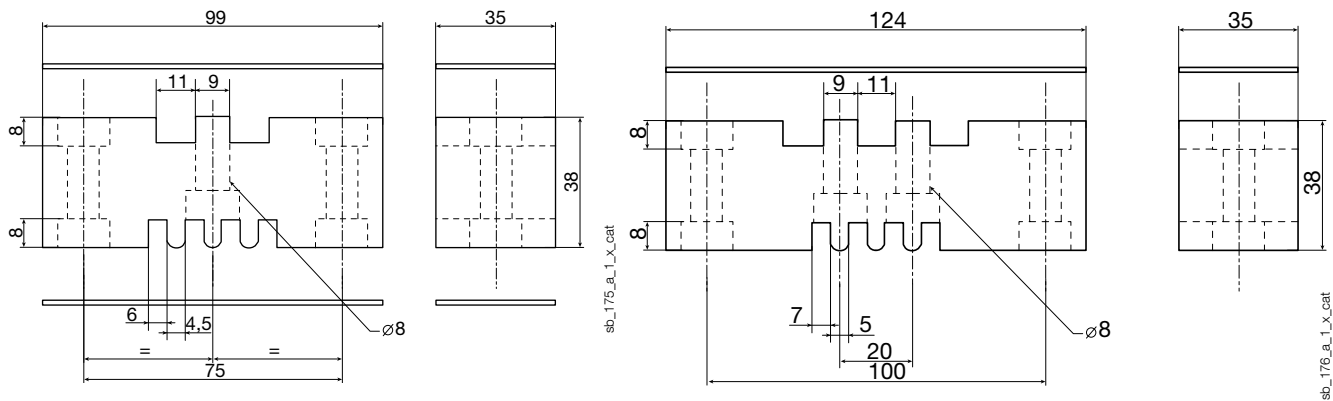


sb_152_a_1_x_cat

Mounting

- SB 205: 1 to 3 bars of max. recommended width 100 mm.
- SB 306: 1 to 3 bars of max. recommended width 160 mm.

Dimensions



sb_175_a_1_x_cat

sb_176_a_1_x_cat

Verify the certification of your product: page 130.

■ SB 7500 multipolar flat mounting busbar supports with fixed interphase

References

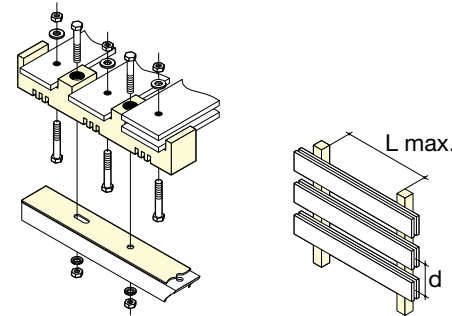
No. of poles	Insulation voltage (VAC)	Bar width (mm)	Pack qty	Reference
3	1,000	40 -50	1	5027 5310
4	1,000	40 -50	1	5027 5410



sb_136_a_3_cat.eps

Characteristics

peak I_{sc}	L max. (support bars in mm) for						d (mm)	Iz (A)
	24 kA	48 kA	63 kA	82 kA	114 kA	152 kA		
rms I_{sc}	12 kA	23 kA	30 kA	39 kA	52 kA	69 kA		
Bar x qty								
50 x 5 x 1	1000	1000	950	725	525	450	75	600
50 x 5 x 2	1000	1000	1000	1000	975	850	75	1,050

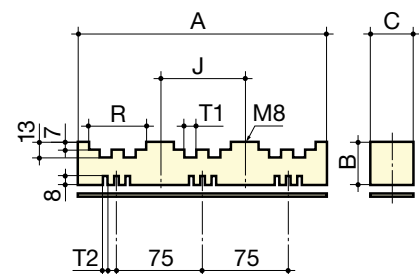


sb_153_b_1_x_cat

Mounting: SB 7500: 1 to 2 bars of max. width 50 mm per pole. Fixed interphase of 75 mm.

Dimensions

No. of poles	A	B	C	J	R	T ₁	T ₂
3	220	38	35	75	52.5	11	6
4	295	38	35	75	52.5	11	6



sb_149_a_1_x_cat

Verify the certification of your product: page 130.

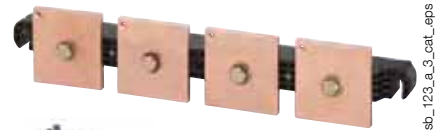
Busbar supports

Busbar

SB P 30 multipolar flat mounting busbar supports with fixed interphase

References

No. of poles	Insulation voltage (VAC)	Bar width (mm)	Pack qty	Reference
3	1000	50 -100	1	5023 0310
4	1000	50 -80	1	5023 0410



sb_123_a_3_cat_eps

Mounting bracket Accessories	To be ordered in multiples of	Reference
2 mounting brackets for SB P 30	1	5024 9002



sb_211_a_1_cat

Bar fixing screws Accessories	To be ordered in multiples of	Reference
Grub screws for mounting 1 bar	25	5119 4601
Grub screws for mounting 2 bars back-to-back	25	5119 4602
Grub screws for mounting 3 back-to-back bars	25	5119 4603

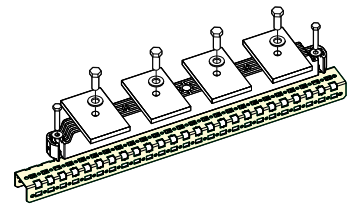


sb_210_a_1_cat

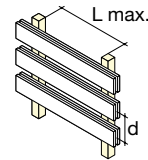
Characteristics

d = 123 mm

peak I _{sc}	L max. (support bars in mm) for								d (mm)	Iz (A)
	63 kA	84 kA	110 kA	143 kA	165 kA	176 kA	187 kA	220 kA		
rms I _{sc}	30 kA	40 kA	50 kA	65 kA	75 kA	80 kA	85 kA	100 kA		
Bar x qty										
50 x 5 x 1	1000	950	525	300	225	200	175	130	123	600
63 x 5 x 1	1000	925	525	300	225	200	175	130	123	700
80 x 5 x 1	1000	900	500	300	225	175	175	125	123	900
80 x 5 x 2	1000	900	500	300	225	175	175	125	123	1,550
50 x 10 x 1	1000	950	525	300	225	200	175	130	123	850
50 x 10 x 2	1000	975	525	300	225	200	175	135	123	1,550
63 x 10 x 1	1000	925	525	300	225	200	175	130	123	1,050
63 x 10 x 2	1000	950	525	300	225	200	175	130	123	1,850
80 x 10 x 1	1000	900	500	300	225	175	175	125	123	1,300
80 x 10 x 2	1000	925	500	300	225	200	175	125	123	2,300
80 x 10 x 3	1000	950	525	300	225	200	175	130	123	3,200



sb_160_a_1_x_cat



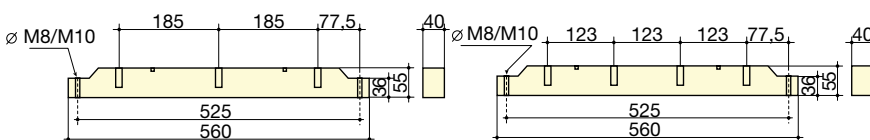
sb_200_a_1_x_cat

peak I _{sc}	L max. (support bars in mm) for								d (mm)	Iz (A)
	63 kA	84 kA	110 kA	143 kA	165 kA	176 kA	187 kA	220 kA		
rms I _{sc}	30 kA	40 kA	50 kA	65 kA	75 kA	80 kA	85 kA	100 kA		
Bar x qty										
50 x 5 x 1	1000	1000	800	475	350	300	275	200	185	
63 x 5 x 1	1000	1000	800	475	350	300	275	200	185	
80 x 5 x 1	1000	1000	800	475	350	300	275	200	185	
80 x 5 x 2	1000	1000	800	475	350	300	275	200	185	
100 x 5 x 1	1000	1000	775	450	325	300	250	175	185	1100
100 x 5 x 2	1000	1000	775	450	325	300	250	175	185	1900
100 x 5 x 3	1000	1000	775	450	350	300	250	175	185	2650
50 x 10 x 1	1000	1000	800	475	350	300	275	200	185	
50 x 10 x 2	1000	1000	800	475	350	300	275	200	185	
63 x 10 x 1	1000	1000	800	475	350	300	275	200	185	
63 x 10 x 2	1000	1000	800	475	350	300	275	200	185	
80 x 10 x 1	1000	1000	800	475	350	300	275	200	185	
80 x 10 x 2	1000	1000	800	475	350	300	275	200	185	
80 x 10 x 3	1000	1000	800	475	350	300	275	200	185	
100 x 10 x 1	1000	1000	775	450	325	300	250	175	185	1550
100 x 10 x 2	1000	1000	775	450	350	300	250	175	185	2750
100 x 10 x 3	1000	1000	775	450	350	300	275	175	185	3850

Mounting

- 3 poles: 1 to 3 bars of max. width 100 mm per pole, fixed interphase of 185 mm
- 4 poles: 1 to 3 bars of max. width 80 mm per pole, fixed interphase of 123 mm

Dimensions



sb_164_c_1_x_cat

Verify the certification of your product: page 130.

■ Hexagonal insulators unipolar flat mounting busbar supports

Female to female hexagonal insulator

References

Height H (mm)	Threading M	Depth		Diameter E (mm)	Pack qty	Reference
		D (mm)	Pu (mm)			
20	M4	8	5.5	19	1	5031 2004
20	M6	8	5.5	19	1	5031 2006
25	M6	10	7	21	1	5031 2506
30	M6	10	7	33	1	5031 3006
30	M8	12	9	33	1	5031 3008
35	M6	12	9	33	1	5031 3506
35	M8	12	9	33	1	5031 3508
35	M10	12	9	33	1	5031 3510
40	M8	15	12	40	1	5031 4008
40	M10	15	12	40	1	5031 4010
45	M8	15	12	41	1	5031 4508
45	M10	15	12	41	1	5031 4510
50	M8	20	17	46	1	5031 5008
50	M10	20	17	46	1	5031 5010
50	M12	20	17	46	1	5031 5012
60	M10	20	17	50	1	5031 6010
65	M10	20	17	55	1	5031 6510
70	M12	25	21	55	1	5031 7012

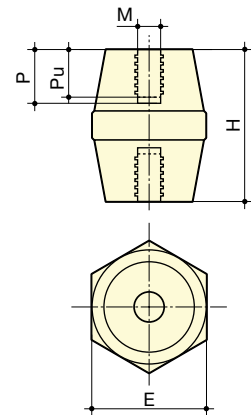


sb_104_a_2_cat

Characteristics

Height H (mm)	Threading	Voltage Nominal (V) AC/DC	Insulation voltage (VAC) 50 Hz 1 min	Peak	Mechanical characteristics (daN)		Tightening torque max. (Nm)
					Flexion	Traction	
20 ⁽¹⁾	M4	500	3000	5500	70	170	9
20	M6	500	3000	5500	100	190	8
25	M6	500	3000	5500	170	370	12
30	M6	1000	6000	11000	200	650	22
30	M8	1000	6000	11000	360	800	40
35	M6	1400	9000	16000	230	720	25
35	M8	1400	9000	16000	380	900	42
35	M10	1400	9000	16000	320	800	44
40	M8	2000	12000	21500	620	1200	50
40	M10	2000	12000	21500	620	1100	60
45	M8	2000	12000	21500	550	1200	55
45	M10	2000	12000	21500	550	1100	65
50	M8	2000	12000	21500	650	1800	60
50	M10	2000	12000	21500	650	1700	70
50	M12	2000	12000	21500	660	13000	130
60	M10	2400	12000	27000	560	1600	85
65	M10	2400	12000	27000	750	1600	90
70	M12	2400	12000	27000	750	1500	135

(1) Admissible busbar nominal current with a temperature inside the panel of between 45°C and 80°C.
For other mounting configurations, please contact us.



sb_105_c_1_x_cat

Verify the certification of your product: page 130.

Busbar supports

Busbar

■ Hexagonal insulators unipolar flat mounting busbar supports (continued)

Male to female hexagonal insulator

References

Height H (mm)	Threading M	Depth		Diameter E (mm)	Length W (mm)	Pack qty	Reference
		D (mm)	Pu (mm)				
16	M4	6	5	14	26	1	5038 1604
16	M5	6	5	14	26	1	5038 1605
25	M5	10	7	20	35	1	5038 2505
25	M6	10	7	20	35	1	5038 2506
35	M8	12	9	32	50	1	5038 3508
35	M10	12	9	32	65	1	5038 3510
50	M8	15	17	46	75	1	5038 5008
50	M10	20	17	46	80	1	5038 5010
60	M10	20	17	50	85	1	5038 6010



sb_106_a_2_cat

Male to male hexagonal insulator

References

Height H (mm)	Threading M	Depth		Diameter E (mm)	Length W (mm)	Pack qty	Reference
		D (mm)	Pu (mm)				
16	M4	6	5	14	26	1	5038 1604
16	M5	6	5	14	26	1	5038 1605
25	M5	10	7	20	35	1	5038 2505
25	M6	10	7	20	35	1	5038 2506
35	M8	12	9	32	50	1	5038 3508
35	M10	12	9	32	65	1	5038 3510
50	M8	15	17	46	75	1	5038 5008
50	M10	20	17	46	80	1	5038 5010
60	M10	20	17	50	85	1	5038 6010

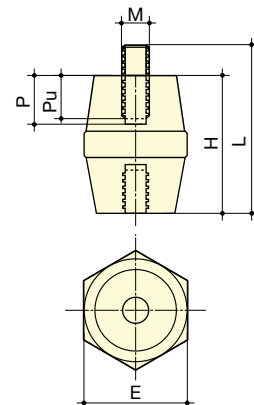


sb_107_a_2_cat

Male to female and male to male hexagonal insulator

Characteristics

Height H (mm)	Threading	Voltage Nominal (V) AC/DC	Insulating voltage		Mechanical characteristics (daN)		Tightening torque max. (Nm)
			(VAC) 50 Hz 1 min	Peak	Flexion	Traction	
16	M4	500	3000	5500	100	150	3
16	M5	500	3000	5500	100	150	6
25	M5	500	3000	11000	180	400	6
25	M6	500	3000	11000	180	400	12
35	M8	1400	9000	16000	380	900	42
35	M10	1400	9000	16000	320	800	44
50	M8	2000	12000	21500	650	1800	60
50	M10	2000	12000	21500	650	1700	70
60	M10	2400	12000	27000	560	1600	85



sb_058_d_1_x_cat

Grub screw

References

Length (mm)	Thread	To be ordered in multiples of	Reference
20	M6	20	5032 2006
20	M8	20	5032 2008
25	M6	20	5032 2506
25	M8	20	5032 2508
30	M6	20	5032 3006
30	M8	20	5032 3008
40	M8	20	5032 4008
40	M10	20	5032 4010
50	M12	20	5032 5012



sb_121_a_2_cat

Verify the certification of your product: page 130.

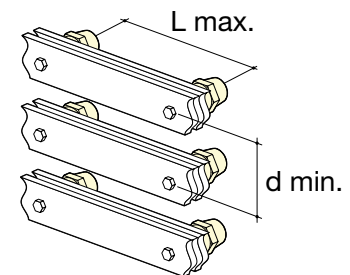
Define your exact busbar

- > For your busbar, fitted with hexagonal insulators, to be mechanically resistant to a short-circuit, it must correspond to the table below.

Values according to IEC 61439-1.

General characteristics

Height H (mm)	Threading	Bar x qty	L max. (support bars in mm) for					d min. (mm)	Iz (A) ⁽¹⁾	
			peak I _{sc}	24 kA	48 kA	63 kA	82 kA			114 kA
			rms I _{sc}	12 kA	23 kA	30 kA	39 kA			52 kA
20	M4	15 x 5 x 1	400	100				45	220	
20	M4	20 x 5 x 1	400	100				45	280	
25	M6	15 x 5 x 1	550	135				45	220	
25	M6	20 x 5 x 1	525	135				45	280	
25	M6	25 x 5 x 1	575	145				50	330	
30	M6	15 x 5 x 1	675	165				45	220	
30	M6	20 x 5 x 1	650	165				45	280	
30	M6	25 x 5 x 1	725	175	105			50	330	
30	M8	15 x 5 x 1	850	250	155			45	220	
30	M8	20 x 5 x 1	1000	250	155			45	280	
30	M8	25 x 5 x 1	1000	275	170	100		50	330	
35	M6	15 x 5 x 1	700	175	100			45	220	
35	M6	20 x 5 x 1	675	170	100			45	280	
35	M6	25 x 5 x 1	750	175	110			50	330	
35	M8	15 x 5 x 1	850	275	160			45	220	
35	M8	20 x 5 x 1	1000	275	160			45	280	
35	M8	25 x 5 x 1	1000	300	175	105		50	330	
35	M8	32 x 5 x 1	1000	325	175	110		55	410	
35	M10	20 x 5 x 1	850	200	125			45	280	
35	M10	25 x 5 x 1	950	225	135			50	330	
35	M10	32 x 5 x 1	1000	250	150			55	410	
40	M8	20 x 5 x 1	1000	325	175	110		45	280	
40	M8	25 x 5 x 1	1000	350	200	125		50	330	
40	M8	32 x 5 x 1	1000	375	225	135		55	410	
40	M10	20 x 5 x 1	1000	325	175	110		45	280	
40	M10	25 x 5 x 1	1000	350	200	125		50	330	
40	M10	32 x 5 x 1	1000	375	225	135		55	410	
45	M8	25 x 5 x 1	1000	425	250	150		50	330	
45	M8	32 x 5 x 1	1000	475	175	160		55	410	
45	M8	50 x 5 x 1	1000	625	350	200	110	75	600	
45	M10	25 x 5 x 1	1000	425	250	145		50	330	
45	M10	32 x 5 x 1	1000	450	250	160		55	410	
45	M10	50 x 5 x 1	1000	600	350	200	110	75	600	
50	M8	25 x 5 x 1	1000	450	250	155		50	330	
50	M8	32 x 5 x 1	1000	475	275	170		55	410	
50	M8	50 x 5 x 1	1000	650	375	225	115	75	600	
50	M10	32 x 5 x 1	1000	525	300	175		55	410	
50	M10	50 x 5 x 1	1000	700	400	225	125	75	600	
60	M10	50 x 5 x 1	1000	700	400	225	125	75	600	
65	M10	50 x 5 x 1	1000	775	450	250	135	75	600	



sb_164_a_1_x_cat

(1) Admissible busbar nominal current with a temperature inside the panel of between 45°C and 80°C.
For other mounting configurations, please contact us.

Verify the certification of your product: page 130.

Busbar supports

Busbar

SB 1 - SB 2 multipolar flat mounting busbar supports

References

Support	Insulation voltage (VAC)	No. of bars	Bar width (mm)	To be ordered in multiples of	Reference
SB 1	690	1	20 -25	6	5021 0110
SB 2	690	1	32 -40	6	5022 0110



sb_108_a_2_cat.eps

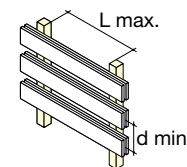
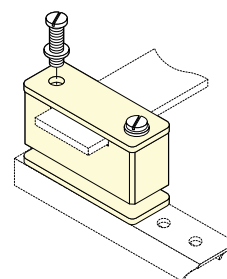
Ordering guide

SB 1: bar of max. width 25 mm
SB 2: bar of max. width 40 mm

Characteristics

Support	Bar x qty	L max. (support bars in mm) for					d min. (mm)	Iz (A) ⁽¹⁾	
		peak I _{sc}	24 kA	48 kA	63 kA	82 kA			114 kA
		rms I _{sc}	12 kA	23 kA	30 kA	39 kA			52 kA
SB 1	20 x 3 x 1	650	325	250	175	135	50	210	
SB 1	20 x 5 x 1	850	425	325	250	175	50	280	
SB 1	25 x 5 x 1	1000	525	400	300	200	50	330	
SB 2	32 x 5 x 1	1000	750	575	450	300	70	410	
SB 2	40 x 5 x 1	1000	950	700	550	400	70	500	

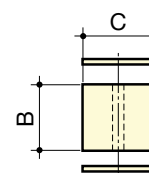
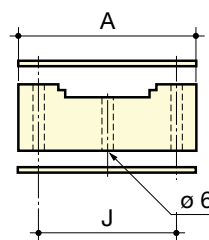
(1) Admissible busbar nominal current with a temperature inside the panel of between 45°C and 80°C.
For other mounting configurations, please contact us.



sb_150_a_1_x_cat

Dimensions

Support	A	B	C	J
SB 1	50	23	20	34
SB 2	68	23	23.5	50



sb_014_c_1_x_cat

SB 3 multipolar flat mounting busbar supports

References

Support	Insulation voltage (VAC)	No. of bars	Bar width (mm)	To be ordered in multiples of	Reference
SB 3 without screws	690	1 - 2	32 -63	6	5023 0111
SB 3 with screws ⁽¹⁾	690	1 - 2	32 -63	6	5023 0110

(1) SB3 bare and with screws.



sb_118_a_1_cat.eps

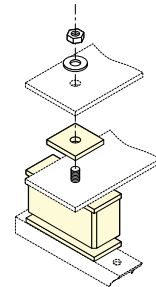
Ordering guide

SB 3: 1 to 2 bars of max. recommended width 63 mm.

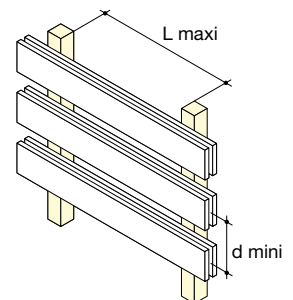
Characteristics

peak I _{sc}	L max. (support bars in mm) for					d min. (mm)	Iz (A) ⁽¹⁾
	24 kA	48 kA	63 kA	82 kA	114 kA		
rms I _{sc}	12 kA	23 kA	30 kA	39 kA	52 kA		
Bar x qty							
32 x 5 x 2	1000	1000	925	700	500	70	580
40 x 5 x 2	1000	1000	1000	1000	1000	70	700
50 x 5 x 2	1000	1000	1000	925	675	75	850
63 x 5 x 2	1000	1000	1000	1000	1000	85	1000

(1) Admissible busbar nominal current with a temperature inside the panel of between 45°C and 80°C. For other mounting configurations, please contact us.



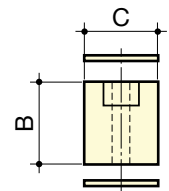
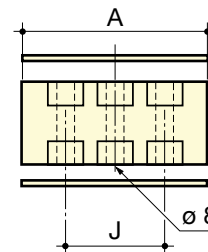
sb_008_a_1_x_cat



sb_023_b_1_fr_cat

Dimensions

Support	A	B	C	J
SB 3 without screws	65	32	28	36
SB 3 with screws	65	32	28	36



sb_089_b_1_x_cat

Verify the certification of your product: page 130.

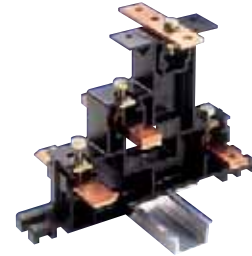
Busbar supports

Busbar

SB E 44 tetrapolar stair type supports

References

No. of poles	Pack qty	Reference
4	1	5028 0410
Accessories	Pack qty	Reference
270 mm long protection screen kit	1	5028 0411
420 mm long protection screen kit	1	5028 0412
620 mm long protection screen kit	1	5028 0413
Set of 20 protection screen adaption spacers	1	5028 0415



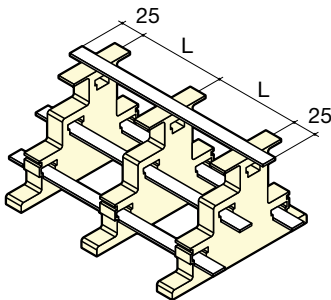
sb_038_a_3_cat.eps

Characteristics

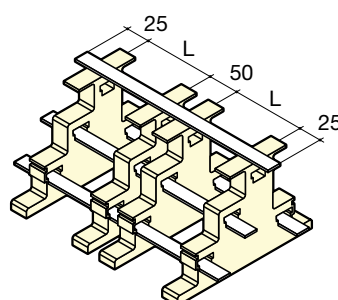
Support	Bar x qty	L max. (support bars in mm) for						Iz (A) ⁽¹⁾	
		peak I _{sc}	10 kA	15 kA	24 kA	38 kA	48 kA		63 kA
		rms I _{sc}	6 kA	9 kA	12 kA	19 kA	23 kA		30 kA
Type 1	15 x 3 x 1	950	625	400	250	175		160	
Type 1	15 x 5 x 1	1000	825	500	300	175		220	
Type 1	15 x 6 x 1	1000	900	550	300	200		250	
Type 1	15 x 8 x 1	1000	1000	650	300	200		290	
Type 1	20 x 3 x 1	1000	825	525	300	175		210	
Type 1	20 x 5 x 1	1000	1000	675	300	175		280	
Type 1	20 x 6 x 1	1000	1000	750	300	175		310	
Type 1	20 x 8 x 1	1000	1000	775	300	175		370	
Type 1	32 x 5 x 1	1000	1000	675	250	170		410	
Type 1	32 x 6 x 1	1000	1000	675	250	170		460	
Type 2	15 x 3 x 1	950	625	400	250	200	150	160	
Type 2	15 x 5 x 1	1000	825	500	325	250	175	220	
Type 2	15 x 6 x 1	1000	900	550	350	275	200	250	
Type 2	15 x 8 x 1	1000	1000	650	400	325	225	290	
Type 2	20 x 3 x 1	1000	825	525	325	250	200	210	
Type 2	20 x 5 x 1	1000	1000	675	425	325	225	280	
Type 2	20 x 6 x 1	1000	1000	750	450	375	225	310	
Type 2	20 x 8 x 1	1000	1000	850	525	375	225	370	
Type 2	32 x 5 x 1	1000	1000	1000	525	325	175	410	
Type 2	32 x 6 x 1	1000	1000	1000	525	325	175	460	

(1) Admissible busbar nominal current with a temperature inside the panel of between 45°C and 80°C.
For other mounting configurations, please contact us. **N.B.:** Iz indicated is for a solid (undrilled) busbar.

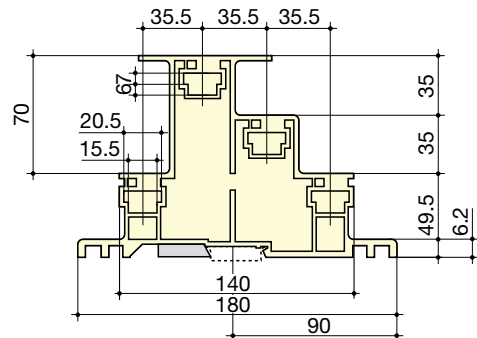
Dimensions



sb_041_b_1_x_cat



sb_047_a_1_x_cat



sb_036_e_1_x_cat

Type 1: Busbars including 3 (or more) equally spaced SB E 44 supports.

Type 2: Busbars with 3 (or more) SB E 44 supports with doubled intermediary supports.

Mounting with elliptical holes: 150 to 170 mm.

Verify the certification of your product: page 130.

SB P 10 tetrapolar flat mounting busbar supports with fixed interphase

References

No. of poles	Insulation voltage (VAC)	Bar width (mm)	Pack qty	Reference
4	690	12 -30	1	5026 0460

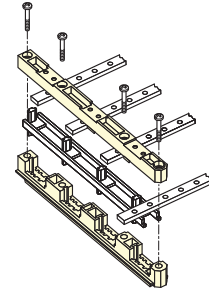
SB P 10: 1 bar of 5 or 10 mm thickness with a width of 12, 20, 25 or 30 mm.



sb_130_a_3_cat.eps

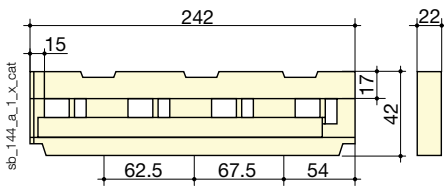
Characteristics

peak I_{sc}	L max. (support bars in mm) for					d min. (mm)	Iz (A)
	10 kA	15 kA	24 kA	48 kA	63 kA		
rms I_{sc}	6 kA	9 kA	12 kA	23 kA	30 kA		
Bar x qty							
12 x 5 x 1	1000	475	175			60	180
20 x 5 x 1	1000	1000	650	165		60	280
25 x 5 x 1	1000	1000	650	160		60	338
30 x 5 x 1	1000	1000	850	200	120	60	390
25 x 10 x 1	1000	1000	1000	250	150	60	508
30 x 10 x 1	1000	1000	1000	350	200	60	580



sb_159_a_1_x_cat

Dimensions



sb_144_a_1_x_cat

SB P 44 tetrapolar flat mounting busbar support with fixed interphase, for mounting angled bars

References

No. of poles	Insulation voltage (VAC)	Bar width (mm)	Pack qty	Reference
4	1,000	20 -32	1	5026 0450

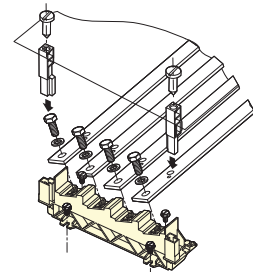
SB P 44: 1 bar of 5 or 10 mm thickness with a width of 20, 25, 30 or 32 mm.
Please note: protection cover not supplied.



sb_170_a_3_cat.eps

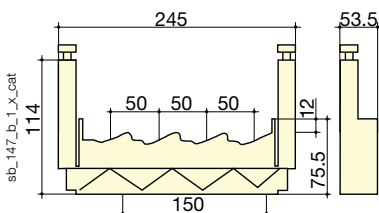
Characteristics

peak I_{sc}	L max. (support bars in mm) for						d min. (mm)	Iz (A)
	10 kA	15 kA	24 kA	48 kA	63 kA	82 kA		
rms I_{sc}	6 kA	9 kA	12 kA	23 kA	30 kA	39 kA		
Bar x qty								
20 x 5 x 1	1000	1000	800	350	200	125	50	280
25 x 5 x 1	1000	1000	1000	350	200	125	50	330
32 x 5 x 1	1000	1000	1000	350	200	120	50	390
25 x 10 x 1	1000	1000	1000	350	200	125	50	500
30 x 10 x 1	1000	1000	1000	350	200	120	50	580
32 x 10 x 1	1000	1000	1000	350	200	120	50	610



sb_165_b_1_x_cat

Dimensions



sb_147_b_1_x_cat

Verify the certification of your product: page 130.



NETYS RT-M

Solution for marine applications
from 1100 to 3300 VA

Single-phase UPS

GAMME 603 A



The solution for

- > Steering systems
- > Bridge systems
- > Radar systems
- > Control systems
- > Video surveillance systems

Certifications



High availability in marine environments

The marine industry calls for reliable equipment which is able to supply applications operating in harsh environments. In such a context, power outages cause extremely serious problems to critical equipment for the navigation system, and communication and engine controls, which leads to costs increasing. In line with the company's commitment to develop innovative solutions to ensure availability, improve energy efficiency and reduce costs, SOCOMEC has introduced NETYS RT-M, high-performance UPS DNV GL standard certified.

Meets practical needs

- Online double conversion technology with sinusoidal waveform, to completely filter out all disturbances from / to the mains power supply and to ensure maximum protection of the equipment.
- Optional battery extension modules (EBM) to meet wide back-up time requirements, even after installation.
- Clear and uncluttered LCD interface, with buzzers that immediately indicate the operating status of the UPS, even for less specialist users.

Easy to use

- Easy configurable frequency converter operation (50 Hz, 60 Hz).
- No configuration necessary on first startup.
- Wide range of communication protocols (including TCP/IP and SNMP) for integration into LAN networks or building management systems (BMS).

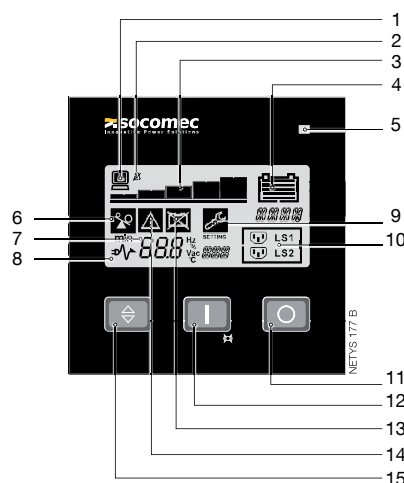
Verify the certification of your product: page 130.

Technical data

NETYS RT-M				
Sn	1100 VA	1700 VA	2200 VA	3300 VA
Pn	900 W	1350 W	1800 W	2700 W
Architecture	on-line double conversion VFI with input PFC and automatic bypass			
INPUT				
Rated voltage	230 V (1ph)			
Voltage tolerance	175÷280 V; up to 120 V @70% load			
Rated frequency	50/60 Hz			
Frequency tolerance	± 10% (Auto-Selectable)			
Power factor / THDI	> 0.99 / < 5%			
OUTPUT				
Rated voltage	230 V (1ph)			
Voltage tolerance	selectable 200/208/220/240 V			
Rated frequency	50 or 60 Hz			
Frequency tolerance	± 2% (± 0.05 Hz in battery mode)			
Power factor	0.9 @ 1000 VA	0.9 @ 1500 VA	0.9 @ 2000 VA	0.9 @ 3000 VA
Efficiency	up to 93% online mode			
Overload capability	up to 105% continuously; 125% for 3 min; 150% for 30 s			
Connections	6 x IEC 320-C13 (10 A)		6 x IEC 320-C13 (10 A) + 1 x IEC 320-C19 (16 A)	
BATTERY				
Standard autonomy ⁽¹⁾	8 min	12 min	8 min	10 min
Voltage	24 VDC		48 VDC	
Recharge time	< 6 hours to recover 90% capacity			
COMMUNICATION				
Interfaces	RS232 (DB9 port) MODBUS protocol, USB HID protocol			
Ethernet	WEB / SNMP (Ethernet RJ45 port) - option			
COMM slots	1 available as standard			
Dry contacts card	option			
EPO input	RJ11 port			
ENVIRONMENT				
Operating ambient temperature	from 0 °C up to +40 °C (from 15 °C to 25 °C for maximum battery life) Temperature class A according to DNV GL			
Relative humidity	5-95% non-condensing			
Maximum altitude	1000 m without derating (max. 3000 m)			
Noise level (ISO 3746)	< 45 dBA		< 50 dBA	
UPS CABINET				
Dimensions W x D x H	89 x 333 x 440 mm	89 x 430 x 440 mm	89 x 608 x 440 mm	
Dimensions RACK U	2U			
Weight	13 kg	18 kg	19 kg	30 kg
Degree of protection	IP20			
EBM - EXTERNAL BATTERY MODULE				
Dimensions W x D x H	89 x 333 x 440 mm	89 x 430 x 440 mm	89 x 608 x 440 mm	
Dimensions RACK U	2U			
Weight	16 kg	29 kg	43 kg	
STANDARDS				
Safety	IEC/EN 62040-1, AS 62040.1.1, AS 62040.1.2			
EMC	IEC/EN 62040-2, AS 62040.2			
Performance	IEC/EN 62040-3 (efficiency tested by an external independent body)			
Maritime certification	Applicable tests according to Class Guideline DNVGL-CG-0339, Edition November 2015 and EN 62040-1:2008/A1:2013.			
Product declaration	CE, RCM (E2376)			

(1) @ 75% of rated load PF 0.7.

Control panel



1. Load present
2. Buzzer off
3. Load level (5 steps)
4. Battery status
5. Load status
6. Overload
7. Input value
8. Normal mode / Battery mode (flashing)
9. Configuration
10. Programmable outlets
11. OFF button
12. ON/TEST and buzzer override button
13. Battery fault / Replace the battery
14. General alarm
15. Navigator button

Standard electrical features

- Built-in backfeed protection.
- Protection against atmospheric phenomena (NTP) for telephone/ADSL modems.
- RJ11 connection for Emergency Power Off (EPO).
- Connection for battery extension modules.

Electrical options

- Battery extension modules.

Standard communication features

- LOCAL VIEW: ideal UPS monitoring and shutdown point-to-point solution for Windows®, Linux and Mac OS X® operating systems.
- HID: UPS management based on Windows® and Mac OS X® embedded service - USB interface.
- MODBUS RTU.

Communication options

- RT-VISION: professional WEB/SNMP interface for UPS monitoring and shutdown management of several operating systems.

Verify the certification of your product: page 130.

Certified references



Lloyd's
Register

Certified by Lloyd's

Product family	Reference	Description
ISOM		
ISOM AL390	4733 9xxx	ISOM AL390
ISOM AL490	4734 9601	ISOM AL490
ISOM AL490	4734 xxxxx	ISOM AL490
ISOM ALD590	4735 xxxxx	ISOM ALD590
ISOM AL 395	4733 9511	ISOM AL 395
ISOM AL 395C	4733 9512	ISOM AL 395C
ISOM AL 495	4734 9511	ISOM AL 495
ISOM AL 495C	4734 9512	ISOM AL 495C
ISOM ALD 395	4735 9512	ISOM ALD 395
ISOM ALD 495	4735 9511	ISOM ALD 495
Fusible disconnect switches		
FUSERBLOC	3615 3005	FUSERBLOC 14 x 51 3 x 50 A L DR
FUSERBLOC	3615 6005	FUSERBLOC 14 x 51 4 x 50 A L DR
FUSERBLOC	3615 3006	FUSERBLOC T00C 3 x 63 A L DR
FUSERBLOC	3615 6006	FUSERBLOC T00C 4 x 63 A L DR
FUSERBLOC	3615 3010	FUSERBLOC 22 x 58 3 x 100 A L DR
FUSERBLOC	3615 6010	FUSERBLOC 22 x 58 4 x 100 A L DR
FUSERBLOC	3615 3011	FUSERBLOC 22 x 58 3 x 125 A L DR
FUSERBLOC	3615 6011	FUSERBLOC 22 x 58 4 x 125 A L DR
FUSERBLOC	3615 3012	FUSERBLOC T00 3 x 125 A L DR
FUSERBLOC	3615 6012	FUSERBLOC T00 4 x 125 A L DR
FUSERBLOC	3615 3016	FUSERBLOC T0 3 x 160 A L DR
FUSERBLOC	3615 6016	FUSERBLOC T0 4 x 160 A L DR
FUSERBLOC	3615 3015	FUSERBLOC T00 3 x 160 A L DR
FUSERBLOC	3615 6015	FUSERBLOC T00 4 x 160 A L DR
FUSERBLOC	3615 3024	FUSERBLOC T1 3 x 250 A L DR
FUSERBLOC	3615 6024	FUSERBLOC T1 4 x 250 A L DR
FUSERBLOC	3615 3039	FUSERBLOC T2 3 x 400 A L DR
FUSERBLOC	3615 6039	FUSERBLOC T2 4 x 400 A L DR
FUSERBLOC	3625 3003	FUSERBLOC A1 3 x 32 A L DR
FUSERBLOC	3625 6003	FUSERBLOC A1 4 x 32 A L DR
FUSERBLOC	3625 3006	FUSERBLOC A2-A3 3 x 63 A L DR
FUSERBLOC	3625 6006	FUSERBLOC A2-A3 4 x 63 A L DR
FUSERBLOC	3625 3010	FUSERBLOC A4 3 x 100 A L DR
FUSERBLOC	3625 6010	FUSERBLOC A4R 4 x 100 A L DR
FUSERBLOC	3625 3016	FUSERBLOC B1-B2 3 x 160 A L DR
FUSERBLOC	3625 6016	FUSERBLOC B1-B2 4 x 160 A L DR
FUSERBLOC	3625 3021	FUSERBLOC B1-B2 3 x 200 A L DR
FUSERBLOC	3625 6021	FUSERBLOC B1-B2 4 x 200 A L DR
FUSERBLOC	3625 3024	FUSERBLOC B1-B3 3 x 250 A L DR
FUSERBLOC	3625 6024	FUSERBLOC B1-B3 4 x 250 A L DR



BUREAU
VERITAS

Certified by Bureau Veritas

Product family	Reference	Description
Load break switches		
SIRCO	2600 3032	SIRCO 3 x 315 A
SIRCO	2600 4032	SIRCO 4 x 315 A
SIRCO	2600 3041	SIRCO 3 x 400 A
SIRCO	2600 4041	SIRCO 4 x 400 A
SIRCO	2600 5041	SIRCO 3+NP A 400 A
SIRCO	2600 3051	SIRCO 3 x 500 A
SIRCO	2600 4051	SIRCO 4 x 500 A
SIRCO	2600 3064	SIRCO 3 x 630 A
SIRCO	2600 4064	SIRCO 4 x 630 A
SIRCO	2600 3081	SIRCO 3 x 800 A
SIRCO	2600 4081	SIRCO 4 x 800 A
SIRCO	2600 3121	SIRCO 3 x 1250 A
SIRCO	2600 4121	SIRCO 4 x 1250 A
SIRCO	2600 3161	SIRCO 3 x 1600 A
SIRCO	2600 4161	SIRCO 4 x 1600 A
SIRCO	2600 3099	SIRCO CD 3 x 1000 A
SIRCO	2600 4099	SIRCO CD 4 x 1000 A
SIRCO	2600 3119	SIRCO CD 3 x 1250 A
SIRCO	2600 4119	SIRCO CD 4 x 1250 A
SIRCO	2600 3014	SIRCO 3 x 125 A
SIRCO	2600 4014	SIRCO 4 x 125 A
SIRCO	2600 3017	SIRCO 3 x 160 A
SIRCO	2600 4017	SIRCO 4 x 160 A
SIRCO	2600 3021	SIRCO 3 x 200 A
SIRCO	2600 4021	SIRCO 4 x 200 A
SIRCO	2600 3026	SIRCO 3 x 250 A
SIRCO	2600 4026	SIRCO 4 x 250 A
SIRCO	2600 3032	SIRCO 3 x 315 A
SIRCO	2600 4032	SIRCO 4 x 315 A
SIRCO	2600 3041	SIRCO 3 x 400 A
SIRCO	2600 4041	SIRCO 4 x 400 A
SIRCO	2600 3051	SIRCO 3 x 500 A
SIRCO	2600 4051	SIRCO 4 x 500 A
SIRCO	2600 3064	SIRCO 3 x 630 A
SIRCO	2600 4064	SIRCO 4 x 630 A
SIRCO	2600 3081	SIRCO 3 x 800 A
SIRCO	2600 4081	SIRCO 4 x 800 A
SIRCO	2600 3121	SIRCO 3 x 1250 A
SIRCO	2600 4121	SIRCO 4 x 1250 A
SIRCO	2600 3161	SIRCO 3 x 1600 A
SIRCO	2600 4161	SIRCO 4 x 1600 A
SIRCO	2600 3181	SIRCO 3 x 1800 A
SIRCO	2600 4181	SIRCO 4 x 1800 A
SIRCO	2600 3200	SIRCO 3 x 2000 A
SIRCO	2600 4200	SIRCO 4 x 2000 A
SIRCO	2600 3250	SIRCO 3 x 2500 A
SIRCO	2600 4250	SIRCO 4 x 2500 A
SIRCO	2600 3320	SIRCO 3 x 3200 A
SIRCO	2600 4320	SIRCO 4 x 3200 A
SIRCO	2600 3401	SIRCO 3 x 4000 A
SIRCO	2600 4401	SIRCO 4 x 4000 A
SIRCO AC	26AC 3020	SIRCO AC 3 x 200 A
SIRCO AC	26AC 4020	SIRCO AC 4 x 200 A
SIRCO AC	26AC 3025	SIRCO AC 3 x 250 A



Certified by Bureau Veritas

Product family	Reference	Description
SIRCO AC	26AC 4025	SIRCO AC 4 x 250 A
SIRCO AC	26AC 3031	SIRCO AC 3 x 315 A
SIRCO AC	26AC 4031	SIRCO AC 4 x 315 A
SIRCO AC	26AC 3040	SIRCO AC 3 x 400 A
SIRCO AC	26AC 4040	SIRCO AC 4 x 400 A
SIRCO AC	26AC 3050	SIRCO AC 3 x 500 A
SIRCO AC	26AC 4050	SIRCO AC 4 x 500 A
SIRCO AC	26AC 3063	SIRCO AC 3 x 630 A CD
SIRCO AC	26AC 4063	SIRCO AC 4 x 630 A CD
SIRCO AC	26AC 3064	SIRCO AC 3 x 630 A
SIRCO AC	26AC 4064	SIRCO AC 4 x 630 A
SIRCO AC	26AC 3080	SIRCO AC 3 x 800 A
SIRCO AC	26AC 4080	SIRCO AC 4 x 800 A
SIRCO AC	26AC 3100	SIRCO AC 3 x 1000 A
SIRCO AC	26AC 4100	SIRCO AC 4 x 1000 A
SIRCO AC	26AC 3120	SIRCO AC 3 x 1250 A CD
SIRCO AC	26AC 4120	SIRCO AC 4 x 1250 A CD
SIRCO AC	26AC 3121	SIRCO AC 3 x 1250 A
SIRCO AC	26AC 4121	SIRCO AC 4 x 1250 A
SIRCO AC	26AC 3160	SIRCO AC 3 x 1600 A
SIRCO AC	26AC 4160	SIRCO AC 4 x 1600 A
SIRCO AC	26AC 3200	SIRCO AC 3 x 3200 A
SIRCO AC	26AC 4200	SIRCO AC 4 x 3200 A

Transfer switches

ATyS	9523 xxxxx	ATyS range
ATyS r	9523 3012	ATyS 3 x 125 A
ATyS r	9523 4012	ATyS 4 x 125 A
ATyS r	9523 3016	ATyS 3 x 160 A
ATyS r	9523 4016	ATyS 4 x 160 A
ATyS r	9523 3020	ATyS 3 x 200 A
ATyS r	9523 4020	ATyS 4 x 200 A
ATyS r	9523 3025	ATyS 3 x 250 A
ATyS r	9523 4025	ATyS 4 x 250 A
ATyS r	9523 3031	ATyS 3 x 315 A
ATyS r	9523 4031	ATyS 4 x 315 A
ATyS r	9523 3040	ATyS 3 x 400 A
ATyS r	9523 4040	ATyS 4 x 400 A
ATyS r	9523 3050	ATyS 3 x 500 A
ATyS r	9523 4050	ATyS 4 x 500 A
ATyS r	9523 3063	ATyS 3 x 630 A
ATyS r	9523 4063	ATyS 4 x 630 A
ATyS r	9523 3080	ATyS 3 x 800 A
ATyS r	9523 4080	ATyS 4 x 800 A
ATyS r	9523 3100	ATyS 3 x 1000 A
ATyS r	9523 4100	ATyS 4 x 1000 A
ATyS r	9523 3120	ATyS 3 x 1250 A
ATyS r	9523 4120	ATyS 4 x 1250 A
ATyS r	9523 3160	ATyS 3 x 1600 A
ATyS r	9523 4160	ATyS 4 x 1600 A
ATyS r	9523 3200	ATyS 3 x 1800 A
ATyS r	9523 4200	ATyS 4 x 1800 A
ATyS r	9523 3250	ATyS 3 x 2000 A
ATyS r	9523 4250	ATyS 4 x 2000 A
ATyS r	9523 3320	ATyS 3 x 3200 A
ATyS r	9523 4320	ATyS 4 x 3200 A



Certified by Bureau Veritas

Product family	Reference	Description
ATyS d	9533 xxxxx	ATyS d range
ATyS d	9533 3012	ATyS d 3 x 125 A
ATyS d	9533 4012	ATyS d 4 x 125 A
ATyS d	9533 3016	ATyS d 3 x 160 A
ATyS d	9533 4016	ATyS d 4 x 160 A
ATyS d	9533 3020	ATyS d 3 x 200 A
ATyS d	9533 4020	ATyS d 4 x 200 A
ATyS d	9533 3025	ATyS d 3 x 250 A
ATyS d	9533 4025	ATyS d 4 x 250 A
ATyS d	9533 3031	ATyS d 3 x 315 A
ATyS d	9533 4031	ATyS d 4 x 315 A
ATyS d	9533 3040	ATyS d 3 x 400 A
ATyS d	9533 4040	ATyS d 4 x 400 A
ATyS d	9533 3050	ATyS d 3 x 500 A
ATyS d	9533 4050	ATyS d 4 x 500 A
ATyS d	9533 3063	ATyS d 3 x 630 A
ATyS d	9533 4063	ATyS d 4 x 630 A
ATyS d	9533 3080	ATyS d 3 x 800 A
ATyS d	9533 4080	ATyS d 4 x 800 A
ATyS d	9533 3100	ATyS d 3 x 1000 A
ATyS d	9533 4100	ATyS d 4 x 1000 A
ATyS d	9533 3120	ATyS d 3 x 1250 A
ATyS d	9533 4120	ATyS d 4 x 1250 A
ATyS d	9533 3160	ATyS d 3 x 1600 A
ATyS d	9533 4160	ATyS d 4 x 1600 A
ATyS d	9523 3180	ATyS d 4 x 1800 A
ATyS d	9523 4180	ATyS d 4 x 1800 A
ATyS d	9533 3200	ATyS d 3 x 2000 A
ATyS d	9533 4200	ATyS d 4 x 2000 A
ATyS d	9533 3250	ATyS d 3 x 2500 A
ATyS d	9533 4250	ATyS d 4 x 2500 A
ATyS d	9533 3320	ATyS d 3 x 3200 A
ATyS d	9533 4320	ATyS d 4 x 3200 A
ATyS g	9553 xxxxx	ATyS g range
ATyS g	9553 3012	ATyS g 3 x 125 A
ATyS g	9553 4012	ATyS g 4 x 125 A
ATyS g	9553 3016	ATyS g 3 x 160 A
ATyS g	9553 4016	ATyS g 4 x 160 A
ATyS g	9553 3020	ATyS g 3 x 200 A
ATyS g	9553 4020	ATyS g 4 x 200 A
ATyS g	9553 3025	ATyS g 3 x 250 A
ATyS g	9553 4025	ATyS g 4 x 250 A
ATyS g	9553 3031	ATyS g 3 x 315 A
ATyS g	9553 4031	ATyS g 4 x 315 A
ATyS g	9553 3040	ATyS g 3 x 400 A
ATyS g	9553 4040	ATyS g 4 x 400 A
ATyS g	9553 3050	ATyS g 3 x 500 A
ATyS g	9553 4050	ATyS g 4 x 500 A
ATyS g	9553 3063	ATyS g 3 x 630 A
ATyS g	9553 4063	ATyS g 4 x 630 A
ATyS g	9553 3080	ATyS g 3 x 800 A
ATyS g	9553 4080	ATyS g 4 x 800 A
ATyS g	9553 3100	ATyS g 3 x 1000 A
ATyS g	9553 4100	ATyS g 4 x 1000 A
ATyS g	9553 3120	ATyS g 3 x 1250 A

Certified references



**BUREAU
VERITAS**

Certified by Bureau Veritas

Product family	Reference	Description
ATyS g	9553 4120	ATyS g 4 x 1250 A
ATyS g	9553 3160	ATyS g 3 x 1600 A
ATyS g	9553 4160	ATyS g 4 x 1600 A
ATyS g	9553 4180	ATyS g 3 x 1800 A
ATyS g	9553 4180	ATyS g 4 x 1800 A
ATyS g	9553 3200	ATyS g 3 x 2000 A
ATyS g	9553 4200	ATyS g 4 x 2000 A
ATyS g	9553 3250	ATyS g 3 x 2500 A
ATyS g	9553 4250	ATyS g 4 x 2500 A
ATyS g	9553 3320	ATyS g 3 x 3200 A
ATyS g	9553 4320	ATyS g 4 x 3200 A
ATyS p	9573 xxxx	ATyS p range
ATyS p	9573 3012	ATyS p 3 x 125 A
ATyS p	9573 4012	ATyS P 4 x 125 A
ATyS p	9573 3016	ATyS p 3 x 160 A
ATyS p	9573 4016	ATyS p 4 x 160 A
ATyS p	9573 3020	ATyS p 3 x 200 A
ATyS p	9573 4020	ATyS p 4 x 200 A
ATyS p	9573 3025	ATyS p 3 x 250 A
ATyS p	9573 4025	ATyS p 4 x 250 A
ATyS p	9573 3031	ATyS p 3 x 315 A
ATyS p	9573 4031	ATyS p 4 x 315 A
ATyS p	9573 3040	ATyS p 3 x 400 A
ATyS p	9573 4040	ATyS p 4 x 400 A
ATyS p	9573 3050	ATyS p 3 x 500 A
ATyS p	9573 4050	ATyS p 4 x 500 A
ATyS p	9573 3063	ATyS p 3 x 630 A
ATyS p	9573 4063	ATyS p 4 x 630 A
ATyS p	9573 3080	ATyS p 3 x 800 A
ATyS p	9573 4080	ATyS p 4 x 800 A
ATyS p	9573 3100	ATyS p 3 x 1000 A
ATyS p	9573 4100	ATyS p 4 x 1000 A
ATyS p	9573 3120	ATyS p 3 x 1250 A
ATyS p	9573 4120	ATyS p 4 x 1250 A
ATyS p	9573 3160	ATyS p 3 x 1600 A
ATyS p	9573 4160	ATyS p 4 x 1600 A
ATyS p	9573 3200	ATyS p 3 x 2000 A
ATyS p	9573 4200	ATyS p 4 x 2000 A
ATyS p	9573 3250	ATyS p 3 x 2500 A
ATyS p	9573 4250	ATyS p 4 x 2500 A
ATyS p	9573 3320	ATyS p 3 x 3200 A
ATyS p	9573 4320	ATyS p 4 x 3200 A
ATyS t	9543 xxxx	ATyS t range
ATyS t	9543 3012	ATyS t 3 x 125 A
ATyS t	9543 4012	ATyS t 4 x 125 A
ATyS t	9543 3016	ATyS t 3 x 160 A
ATyS t	9543 4016	ATyS t 4 x 160 A
ATyS t	9543 3020	ATyS t 3 x 200 A
ATyS t	9543 4020	ATyS t 4 x 200 A
ATyS t	9543 3025	ATyS t 3 x 250 A
ATyS t	9543 4025	ATyS t 4 x 250 A
ATyS t	9543 3031	ATyS t 3 x 315 A
ATyS t	9543 4031	ATyS t 4 x 315 A
ATyS t	9543 3040	ATyS t 3 x 400 A
ATyS t	9543 4040	ATyS t 4 x 400 A



**BUREAU
VERITAS**

Certified by Bureau Veritas

Product family	Reference	Description
ATyS t	9543 3050	ATyS t 3 x 500 A
ATyS t	9543 4050	ATyS t 4 x 500 A
ATyS t	9543 3063	ATyS t 3 x 630 A
ATyS t	9543 4063	ATyS t 4 x 630 A
ATyS t	9543 3080	ATyS t 3 x 800 A
ATyS t	9543 4080	ATyS t 4 x 800 A
ATyS t	9543 3100	ATyS t 3 x 1000 A
ATyS t	9543 4100	ATyS t 4 x 1000 A
ATyS t	9543 3120	ATyS t 3 x 1250 A
ATyS t	9543 4120	ATyS t 4 x 1250 A
ATyS t	9543 3160	ATyS t 3 x 1600 A
ATyS t	9543 4160	ATyS t 4 x 1600 A
ATyS t	9543 3200	ATyS t 3 x 2000 A
ATyS t	9543 4200	ATyS t 4 x 2000 A
ATyS t	9543 3250	ATyS t 3 x 2500 A
ATyS t	9543 4250	ATyS t 4 x 2500 A
ATyS t	9543 3320	ATyS t 3 x 3200 A
ATyS t	9543 4320	ATyS t 4 x 3200 A
Manual transfer switches		
SIRCOVER	41AC xxxx	SIRCOVER range
SIRCOVER	41AC 3013	SIRCOVER 3 x 125 A
SIRCOVER	41AC 4013	SIRCOVER 4 x 125 A
SIRCOVER	41AC 3016	SIRCOVER 3 x 160 A
SIRCOVER	41AC 4016	SIRCOVER 4 x 160 A
SIRCOVER	41AC 3020	SIRCOVER 3 x 200 A
SIRCOVER	41AC 4020	SIRCOVER 4 x 200 A
SIRCOVER	41AC 3025	SIRCOVER 3 x 250 A
SIRCOVER	41AC 4025	SIRCOVER 4 x 250 A
SIRCOVER	41AC 3031	SIRCOVER 3 x 315 A
SIRCOVER	41AC 4031	SIRCOVER 4 x 315 A
SIRCOVER	41AC 3040	SIRCOVER 3 x 400 A
SIRCOVER	41AC 4040	SIRCOVER 4 x 400 A
SIRCOVER	41AC 3050	SIRCOVER 3 x 500 A
SIRCOVER	41AC 4050	SIRCOVER 4 x 500 A
SIRCOVER	41AC 3063	SIRCOVER 3 x 630 A
SIRCOVER	41AC 4063	SIRCOVER 4 x 630 A
SIRCOVER	41AC 3080	SIRCOVER 3 x 800 A
SIRCOVER	41AC 4080	SIRCOVER 4 x 800 A
SIRCOVER	41AC 3100	SIRCOVER 3 x 1000 A
SIRCOVER	41AC 4100	SIRCOVER 4 x 1000 A
SIRCOVER	41AC 3120	SIRCOVER 3 x 1250 A
SIRCOVER	41AC 4120	SIRCOVER 4 x 1250 A
SIRCOVER	41AC 3160	SIRCOVER 3 x 1600 A
SIRCOVER	41AC 4160	SIRCOVER 4 x 1600 A
SIRCOVER	41AC 3200	SIRCOVER 3 x 2000 A
SIRCOVER	41AC 4200	SIRCOVER 4 x 2000 A
SIRCOVER	41AC 3250	SIRCOVER 3 x 2500 A
SIRCOVER	41AC 4250	SIRCOVER 4 x 2500 A
SIRCOVER	41AC 3320	SIRCOVER 3 x 3200 A
SIRCOVER	41AC 4320	SIRCOVER 4 x 3200 A



Certified by Rina

Product family	Reference	Description
Modular fuser holders		
RM - RMS	5701 00xx	RM range 32 A
RM - RMS	5701 0015	RM 32 A 1P
RM - RMS	5601 5005	RM 32 A 1P+N (1 module)
RM - RMS	5701 0017	RM 32 A 1P+N (2 modules)
RM - RMS	5701 0011	RM 32 A 1P With LED indicator
RM - RMS	5701 0020	RM 32 A 2P
RM - RMS	5701 0018	RM 32 A 3P
RM - RMS	5701 0019	RM 32 A 3P+N
RM - RMS	5701 0016	RM 32 A N
RM - RMS	5702 00xx	RM range 50 A
RM - RMS	5702 5001	RM 50 A 1P
RM - RMS	5702 5005	RM 50 A 1P+N (2 modules)
RM - RMS	5702 0011	RM 50 A 1P With LED indicator
RM - RMS	5702 5002	RM 50 A 2P
RM - RMS	5702 5003	RM 50 A 3P
RM - RMS	5702 5004	RM 50 A 3P+N
RM - RMS	5702 5006	RM 50 A 4P
RM - RMS	5702 5000	RM 50 A N
RM - RMS	5702 5011	RMS 50 A 1P
RM - RMS	5702 5012	RMS 50 A 2P
RM - RMS	5702 5013	RMS 50 A 3P
RM - RMS	5702 5014	RMS 50 A 3P+N
RM - RMS	5702 5016	RMS 50 A 4P
RM - RMS	5702 00xx	RM range 100A
RM - RMS	5703 5001	RM 100 A 1P
RM - RMS	5703 5005	RM 100 A 1P+N (2 modules)
RM - RMS	5703 0011	RM 100 A 1P With LED indicator
RM - RMS	5703 5002	RM 100 A 2P
RM - RMS	5703 5003	RM 100 A 3P
RM - RMS	5703 5004	RM 100 A 3P+N
RM - RMS	5703 5006	RM 100 A 4P
RM - RMS	5703 5000	RM 100 A N
RM - RMS	5703 5011	RMS 100 A 1P
RM - RMS	5703 5012	RMS 100 A 2P
RM - RMS	5703 5013	RMS 100 A 3P
RM - RMS	5703 5014	RMS 100 A 3P+N
RM - RMS	5703 5016	RMS 100 A 4P
Fusible disconnect switches		
FUSERBLOC	3841 3003	FUSERBLOC TS A1 3 x 32 A F/L
FUSERBLOC	3841 6003	FUSERBLOC TS A1 4 x 32 A F/L
FUSERBLOC	3615 3005	FUSERBLOC 14 x 51 3 x 50 A L DR
FUSERBLOC	3615 6005	FUSERBLOC 14 x 51 4 x 50 A L DR
FUSERBLOC	3831 3005	FUSERBLOC TS 14 x 51 3 x 50 A F/L
FUSERBLOC	3831 6005	FUSERBLOC TS 14 x 51 4 x 50 A F/L
FUSERBLOC	3615 3006	FUSERBLOC T00C 3 x 63 A L DR
FUSERBLOC	3615 6006	FUSERBLOC T00C 4 x 63 A L DR
FUSERBLOC	3815 3006	FUSERBLOC T00C 3 x 63 A L GA
FUSERBLOC	3815 6006	FUSERBLOC T00C 4 x 63 A L GA
FUSERBLOC	3831 3006	FUSERBLOC TS T00C 3 x 63 A F/L
FUSERBLOC	3831 6006	FUSERBLOC TS T00C 4 x 63 A F/L
FUSERBLOC	3841 3006	FUSERBLOC TS A2-A3 3 x 63 A F/L
FUSERBLOC	3841 3007	FUSERBLOC TS A3 3 x 63 A F/L
FUSERBLOC	3841 6006	FUSERBLOC TS A2-A3 4 x 63 A F/L
FUSERBLOC	3841 6007	FUSERBLOC TS A3 4 x 63 A F/L
FUSERBLOC	3841 3008	FUSERBLOC TS A2-A3 3 x 80 A F/L



Certified by Rina

Product family	Reference	Description
FUSERBLOC	3841 6008	FUSERBLOC TS A2-A3 4 x 80 A F/L
FUSERBLOC	3615 3010	FUSERBLOC 22 x 58 3 x 100 A L DR
FUSERBLOC	3615 6010	FUSERBLOC 22 x 58 4 x 100 A L DR
FUSERBLOC	3831 3010	FUSERBLOC TS 22 x 58 3 x 100 A F/L
FUSERBLOC	3831 6010	FUSERBLOC TS 22 x 58 4 x 100 A F/L
FUSERBLOC	3841 3009	FUSERBLOC TS A4C 3 x 100 A F/L
FUSERBLOC	3841 3010	FUSERBLOC TS A4 3 x 100 A F/L
FUSERBLOC	3841 6009	FUSERBLOC TS A4C 4 x 100 A F/L
FUSERBLOC	3841 6010	FUSERBLOC TS A4 4 x 100 A F/L
FUSERBLOC	3615 3011	FUSERBLOC 22 x 58 3 x 125 A L DR
FUSERBLOC	3615 3012	FUSERBLOC T00 3 x 125 A L DR
FUSERBLOC	3615 6011	FUSERBLOC 22 x 58 4 x 125 A L DR
FUSERBLOC	3831 3011	FUSERBLOC TS 22 x 58 3 x 125 A F/L
FUSERBLOC	3831 3012	FUSERBLOC TS T00 3 x 125 A F/L
FUSERBLOC	3831 6011	FUSERBLOC TS 22 x 58 4 x 125 A F/L
FUSERBLOC	3831 6012	FUSERBLOC TS T00 4 x 125 A F/L
FUSERBLOC	3841 3012	FUSERBLOC TS A4C 3 x 125 A F/L
FUSERBLOC	3841 6012	FUSERBLOC TS A4C 4 x 125 A F/L
FUSERBLOC	3615 3015	FUSERBLOC T00 3 x 160 A L DR
FUSERBLOC	3615 6015	FUSERBLOC T00 4 x 160 A L DR
FUSERBLOC	3815 3015	FUSERBLOC T00 3 x 160 A L GA
FUSERBLOC	3815 6015	FUSERBLOC T00 4 x 160 A L GA
FUSERBLOC	3831 3015	FUSERBLOC TS T00 3 x 160 A F/L
FUSERBLOC	3831 6015	FUSERBLOC TS T00 4 x 160 A F/L
FUSERBLOC	3841 3014	FUSERBLOC TS A4C 3 x 160 A F/L
FUSERBLOC	3841 6014	FUSERBLOC TS A4C 4 x 160 A F/L
FUSERBLOC	3841 3019	FUSERBLOC TS A4C 3 x 200 A F/L
FUSERBLOC	3841 6019	FUSERBLOC TS A4C 4 x 200 A F/L
FUSERBLOC	3615 3016	FUSERBLOC T0 3 x 160 A L DR
FUSERBLOC	3615 6016	FUSERBLOC T0 4 x 160 A L DR
FUSERBLOC	3815 3016	FUSERBLOC T0 3 x 160 A L GA
FUSERBLOC	3815 6016	FUSERBLOC T0 4 x 160 A L GA
FUSERBLOC	3831 3016	FUSERBLOC TS T0 3 x 160 A F/L
FUSERBLOC	3831 6016	FUSERBLOC TS T0 4 x 160 A F/L
FUSERBLOC	3841 3015	FUSERBLOC TS A4 3 x 160 A F/L
FUSERBLOC	3841 3016	FUSERBLOC TS B1-B2 3 x 160 A F/L
FUSERBLOC	3841 6015	FUSERBLOC TS A4 4 x 160 A F/L
FUSERBLOC	3841 6016	FUSERBLOC TS B1-B2 4 x 160 A F/L
FUSERBLOC	3841 3021	FUSERBLOC TS B1-B2 3 x 200 A F/L
FUSERBLOC	3841 6021	FUSERBLOC TS B1-B2 4 x 200 A F/L
FUSERBLOC	3615 3024	FUSERBLOC T1 3 x 250 A L DR
FUSERBLOC	3615 6024	FUSERBLOC T1 4 x 250 A L DR
FUSERBLOC	3815 3024	FUSERBLOC T1 3 x 250 A L GA
FUSERBLOC	3815 6024	FUSERBLOC T1 4 x 250 A L GA
FUSERBLOC	3831 3024	FUSERBLOC TS T1 3 x 250 A F/L
FUSERBLOC	3831 6024	FUSERBLOC TS T1 4 x 250 A F/L
FUSERBLOC	3841 3024	FUSERBLOC TS B1-B3 3 x 250 A F/L
FUSERBLOC	3841 6024	FUSERBLOC TS B1-B3 4 x 250 A F/L
FUSERBLOC	3615 3039	FUSERBLOC T2 3 x 400 A L DR
FUSERBLOC	3615 6039	FUSERBLOC T2 4 x 400 A L DR
FUSERBLOC	3815 3039	FUSERBLOC T2 3 x 400 A L GA
FUSERBLOC	3815 6039	FUSERBLOC T2 4 x 400 A L GA
FUSERBLOC	3831 3039	FUSERBLOC TS T2 3 x 400 A F/L
FUSERBLOC	3831 6039	FUSERBLOC TS T2 4 x 400 A F/L
FUSERBLOC	3625 2003	FUSERBLOC A1 2 x 32 A L DR
FUSERBLOC	3625 2006	FUSERBLOC A2-A3 2 x 63 A L DR

Certified references



Certified by Rina

Product family	Reference	Description
FUSERBLOC	3625 2010	FUSERBLOC A4 2 x 100 A L DR
FUSERBLOC	3625 2014	FUSERBLOC A4R 2 x 160 A L DR
FUSERBLOC	3625 2015	FUSERBLOC A4 2 x 160 A L DR
FUSERBLOC	3625 2016	FUSERBLOC B1-B2 2 x 160 A L DR
FUSERBLOC	3625 2019	FUSERBLOC A4R 2 x 200 A L DR
FUSERBLOC	3625 2021	FUSERBLOC B1-B2 2 x 200 A L
FUSERBLOC	3625 2024	FUSERBLOC B1-B3 2 x 250 A L DR
FUSERBLOC	3625 2039	FUSERBLOC B1-B4 2 x 400 A L DR
FUSERBLOC	3625 3003	FUSERBLOC A1 3 x 32 A L DR
FUSERBLOC	3625 3006	FUSERBLOC A2-A3 3 x 63 A L DR
FUSERBLOC	3625 3010	FUSERBLOC A4 3 x 100 A L DR
FUSERBLOC	3625 3014	FUSERBLOC A4R 3 x 160 A L DR
FUSERBLOC	3625 3015	FUSERBLOC A4 3 x 160 A L DR
FUSERBLOC	3625 3016	FUSERBLOC B1-B2 3 x 160 A L DR
FUSERBLOC	3625 3019	FUSERBLOC A4R 3 x 200 A L DR
FUSERBLOC	3625 3021	FUSERBLOC B1-B2 3 x 200 A L DR
FUSERBLOC	3625 3024	FUSERBLOC B1-B3 3 x 250 A L DR
FUSERBLOC	3625 3039	FUSERBLOC B1-B4 3 x 400 A L DR
FUSERBLOC	3625 6003	FUSERBLOC A1 4 x 32 A L DR
FUSERBLOC	3625 6006	FUSERBLOC A2-A3 4 x 63 A L DR
FUSERBLOC	3625 6010	FUSERBLOC A4R 4 x 100 A L DR
FUSERBLOC	3625 6014	FUSERBLOC A4R 4 x 160 A L DR
FUSERBLOC	3625 6015	FUSERBLOC A4 4 x 160 A L DR
FUSERBLOC	3625 6016	FUSERBLOC B1-B2 4 x 160 A L DR
FUSERBLOC	3625 6019	FUSERBLOC A4 R 4 x 200 A L DR
FUSERBLOC	3625 6021	FUSERBLOC B1-B2 4 x 200 A L DR
FUSERBLOC	3625 6024	FUSERBLOC B1-B3 4 x 250 A L DR
FUSERBLOC	3625 6039	FUSERBLOC B1-B4 4 x 400 A L DR

Certifications Pending

Product family	Reference	Description
Busbar support		
SBC10	5024 6xxx	SBC10
SBC15	5024 4xxx	SBC15
SBC20	5024 7xxx	SBC20
SBC20	5024 8xxx	SBC20
SBC30	5024 5xxx	SBC30

More information

Feel free to contact us for additional marine certification requests. To see SOCOMEC complete offer please consult our general catalogue available on our website www.socomec.com/en/catalogues-brochures

Model: SOCOME
Production: SOCOME
Photography: Martin Bernhart et Studio Objectif
Printing: GRASPO CZ, a.s. Pod Šternberkem 324
763 02 Zlín – Czech Republic
IČ: 255 86 092
Bureau France: Nord Est Offset



Socomec worldwide

IN EUROPE

BELGIUM

Critical Power / Power Control & Safety / Energy Efficiency

Tel. +32 2 340 02 30
Fax +32 2 346 28 99
info.be@socomec.com

FRANCE

Critical Power / Power Control & Safety / Energy Efficiency

Tel. +33 1 45 14 63 00
Fax +33 1 48 67 31 12
dcm.ups.fr@socomec.com

GERMANY

Critical Power

Tel. +49 621 71 68 40
Fax +49 621 71 68 444
info.ups.de@socomec.com

Power Control & Safety / Energy Efficiency

Tel. +49 7243 65292 0
Fax +49 7243 65292 13
info.scp.de@socomec.com

ITALY

Critical Power

Tel. +39 02 98 242 942
Fax +39 02 98 240 723
info.ups.it@socomec.com

Power Control & Safety / Energy Efficiency

Tel. +39 02 98 49 821
Fax +39 02 98 24 33 10
info.scp.it@socomec.com

NETHERLANDS

Critical Power / Power Control & Safety / Energy Efficiency

Tel. +31 30 760 0900
Fax +31 30 637 2166
info.nl@socomec.com

POLAND

Critical Power

Tel. +48 22 825 73 60
Fax. +48 22 825 73 70
info.ups.pl@socomec.com

Power Control & Safety / Energy Efficiency

Tel. +48 91 442 64 11
Fax +48 91 442 64 19
info.scp.pl@socomec.com

PORTUGAL

Critical Power / Power Control & Safety / Energy Efficiency

Tel. +351 261 812 599
Fax +351 261 812 570
info.ups.pt@socomec.com

ROMANIA

Critical Power / Power Control & Safety / Energy Efficiency

Tel. +40 21 319 36 88
Fax +40 21 319 36 89
info.ro@socomec.com

SERBIA

Critical Power / Power Control & Safety / Energy Efficiency

Tel. +381 11 40 43 246
Fax +381 11 40 43 245
info.rs@socomec.com

SLOVENIA

Critical Power / Power Control & Safety / Energy Efficiency

Tel. +386 1 5807 860
Fax +386 1 561 11 73
info.si@socomec.com

SPAIN

Critical Power / Power Control & Safety / Energy Efficiency

Tel. +34 93 540 75 75
Fax +34 93 540 75 76
info.es@socomec.com

SWITZERLAND

Critical Power

Tel. +41 44 745 40 80
Fax +41 44 745 40 85
info@socomec.ch

TURKEY

Critical Power / Power Control & Safety / Energy Efficiency

Tel. +90 216 540 71 20-21-22
Fax +90 216 540 71 27
info.tr@socomec.com

UNITED KINGDOM

Critical Power

Tel. +44 1285 863 300
Fax +44 1285 862 304
info.uk@socomec.com

Power Control & Safety / Energy Efficiency

Tel. +44 1462 440 033
Fax +44 1462 431 143
info.uk@socomec.com

IN ASIA PACIFIC

AUSTRALIA

Critical Power / Power Control & Safety

Tel. +61 2 9325 3900
Fax +61 2 9888 9544
info.ups.au@socomec.com

CHINA

Critical Power / Power Control & Safety / Energy Efficiency

Tel. +86 21 52 98 95 55
Fax +86 21 62 28 34 68
info.cn@socomec.com

INDIA

Critical Power / Power Control & Safety / Energy Efficiency

Tel. +91 44 39215400
Fax +91 44 39215450 & 51
info.in@socomec.com

SINGAPORE

Critical Power / Power Control & Safety / Energy Efficiency

Tel. +65 6506 7600
Fax +65 64 58 7377
info.sg@socomec.com

THAILAND

Critical Power

Tel. +66 2 941 1644 7
Fax +66 2 941 1650
info.ups.th@socomec.com

IN MIDDLE EAST

UNITED ARAB EMIRATES

Critical Power / Power Control & Safety / Energy Efficiency

Tel. +971 4 29 98 441
Fax +971 4 29 98 449
info.ae@socomec.com

IN AMERICA

USA, CANADA & MEXICO

Power Control & Safety / Energy Efficiency

Tel. +1 617 245 0447
Fax +1 617 245 0437
info.us@socomec.com

OTHER COUNTRIES

NORTH AFRICA

Algeria / Morocco / Tunisia
info.naf@socomec.com

AFRICA

Other countries
info.africa@socomec.com

SOUTH EUROPE

Cyprus / Greece / Israel / Malta
info.se@socomec.com

SOUTH AMERICA

Tel. +34 93 540 75 75
info.es@socomec.com

MORE DETAILS

www.socomec.com/worldwide

HEAD OFFICE

SOCOMECS GROUP

SAS SOCOMECS capital 10 686 000 €
R.C.S. Strasbourg B 548 500 149
B.P. 60010 - 1, rue de Westhouse
F-67235 Benfeld Cedex - FRANCE
Tel. +33 3 88 57 41 41
Fax +33 3 88 74 08 00
info.scp.isd@socomec.com

www.socomec.com

YOUR DISTRIBUTOR / PARTNER

your energy
our expertise

