

NETYS PR

High performance protection on rack or tower
from 1700 to 3300 VA - Rack/Tower

Prime



The solution for

- > Professional and IT equipment
- > Servers and networking devices
- > CAD / graphic workstations with monitors and peripherals
- > Control systems

Technology

- > VI "line interactive" with AVR, sine wave

Certifications and attestations



A secure and professional supply continuity

- Ideal solution for protecting small servers, networking devices and peripherals.
- Assures service continuity to critical applications.
- Designed for professional applications: the sine wave inverter technology assures full compatibility with any kind of load and power supply.

Tailored to IT networking

- The space and time-saving tower/rack conversion option means it can be installed easily either in tower mode or inside standard 19" rack cabinets depending on the user's needs.

Simple to install

- No configuration needed on first startup.
- Compact footprint (2U/89 mm) for installation in rack cabinets.
- Attractive design for visible installation in offices.
- USB port and HID protocol as standard for direct interfacing with Windows® systems, without the need for additional specialist software.

Protection for your data line

- Integrated NTP protection for LAN/ADSL connection against the risk of data line overvoltage.

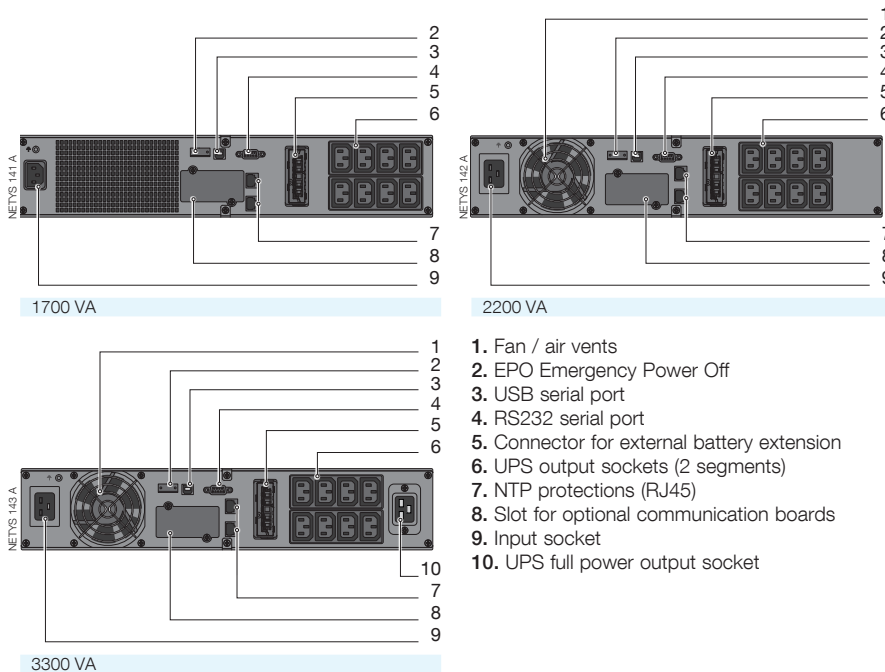
Meets practical needs

- Optional battery extension modules (EBM) to meet all back-up time requirements, even after installation.
- Clear and uncluttered LCD interface, with buzzers that immediately indicate the operating status of the UPS, even for less specialist users.
- Simplified maintenance and Battery 'hot swap', without closing down other applications.

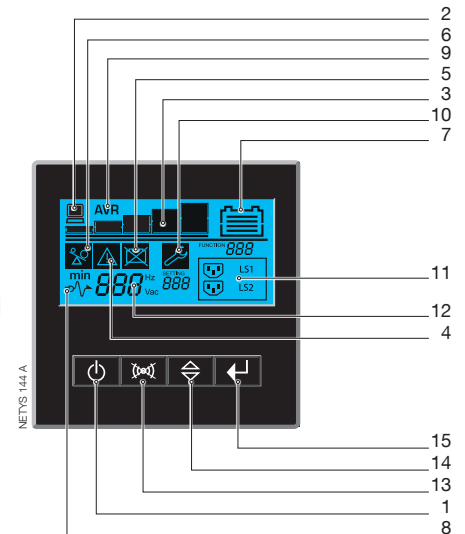
Easy to use and to integrate

- Wide range of communication protocols available in options (including JBUS, TCP/IP and SNMP) for integration into LAN networks or building management systems (BMS).
- Easy connections to the applications (depending on power) via 8 or 8+1 IEC 320 (IT standard) sockets.
- Load segmentation function to prioritize loads and manage critical situations.
- EPO (Emergency Power Off) emergency stop.
- RS232 advanced connections for the management of the power supply and local/remote shutdown of applications.

Connections



Control panel



Technical data

NETYS PR Rack/Tower			
Model	NPR-1700-RT	NPR-2200-RT	NPR-3300-RT
Sn	1700 VA	2200 VA	3300 VA
Pn	1350 W	1800 W	2700 W
Input/output	1/1		
INPUT			
Rated voltage	230 V		
Voltage tolerance	161 V ±4% (selecting wide mode) -276 V ±4%		
Rated frequency	50/60 Hz with automatic selection		
Mains connection	IEC320-C14 (10 A)	IEC320-C20 (16 A)	
OUTPUT			
Automatic Voltage Regulation (AVR)	The AVR increases (boost 1) the output voltage by 14% when the input voltage drops below 90% of the nominal value. The AVR decreases (bucks) the output voltage by 12% when the input voltage rises above 106% of the nominal value.		
Rated voltage	230 V ±5%		
Rated frequency	50/60 Hz ±0.1%		
Power factor	0.9 @ 1500 VA	0.9 @ 2000 VA	0.9 @ 3000 VA
Wave form	Sine wave		
Protection	Normal Mode: overload (110% for 3 minutes) Battery Mode: overload (110% for 30 seconds); shortcircuit protected		
Connections	8 (10 A) x IEC 320		8 (10 A) x IEC 320 1 (16 A) x IEC 320
BATTERIES			
Type	Sealed lead-acid maintenance free - expected life 3/5 years		
Back-up time ⁽¹⁾	6 min	8 min	6 min
COMMUNICATION			
Interfaces	RS232 - USB		
Ethernet adapter	NET VISION (TCP/IP & SNMP) optional card		
Local communication software	Local View		
Data line protection	NTP data line suppressor: RJ45 10 Base T		
UPS CABINET			
Dimensions W x D x H	440 x 436 x 87 mm	440 x 608 x 87 mm	
Weight	18 kg	28.2 kg	31.5 kg
STANDARDS			
Safety	IEC/EN 62040-1, AS 62040.1.1, AS 62040.1.2		
EMC	IEC/EN 62040-2, AS 62040.2		
Product declaration	CE, RCM (E2376), UKCA		

(1) @ 75% of load.

Standard communication features

- 1 slot for communication options.
- USB port for UPS management based on HID protocol.
- MODBUS RTU (RS232).
- LOCAL VIEW software for local UPS monitoring and shutdown for Windows, Linux and MAC Osx.

Communication options

- Dry-contact interface.
- NET VISION: professional WEB/SNMP Ethernet interface for secure UPS monitoring and remote automatic shutdown.
- Environmental Monitoring Device (EMD).
- REMOTE VIEW PRO supervision software.
- Rails.

Battery extensions

NETYS PR	+ 1 (NPR-B1700-RT)	+ 2 (NPR-B1700-RT)
1700 VA	22 min	42 min
NETYS PR	+ 1 (NPR-B3300-RT)	+ 2 (NPR-B3300-RT)
2200 VA	37 min	72 min
3300 VA	22 min	43 min