

# RAC-1A integrator

## Integrator for RGW flexible current sensors

paired with DIRIS A-30, A-41, A-60, Q800, COUNTIS E4X



rac\_001.eps

### Function

The **RAC-1A** \* integrator converts the raw output signal from the Rogowski sensor into an 1A output. When paired with the range of RGW flexible current sensors, it is possible to use these RGW sensors with counters or monitoring devices compatible with one or more 1A input(s). The intuitive interface can quickly calibrate the RAC-1A, choosing between 4 different ratings from 100 to 5000A to take accurate measurements that meet your exact needs.

\* Only compatible with the addition of RGW sensors

### Advantages

#### Maximum compatibility

Thanks to the 1A output, the RAC-1A can be paired with counters or monitoring devices with 1A input(s).

#### Compact design

The ultra-compact size and DIN rail attachment of the RAC-1A integrator means that it can be installed in restricted environments.

#### Fast commissioning

The intuitive interface of the RAC-1A makes it possible to quickly choose the rating most suitable for the application. The wide power range of the RAC-1A from 85 to 265 VAC makes commissioning of the RAC-1A easier.

### The solution for

- > Infrastructure & Transport
- > Industry



### Strong points

- > Maximum compatibility
- > Compact design
- > Fast commissioning

### Conformity to standards

- > IEC 61326-1



- > CE



- > UKCA

### Associated products



RGW sensors

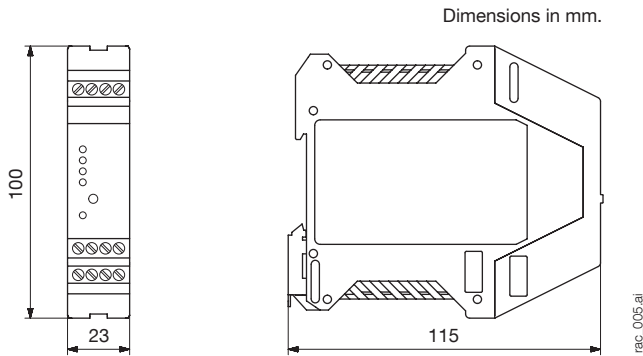
### Compatible with

- > COUNTIS
- > DIRIS

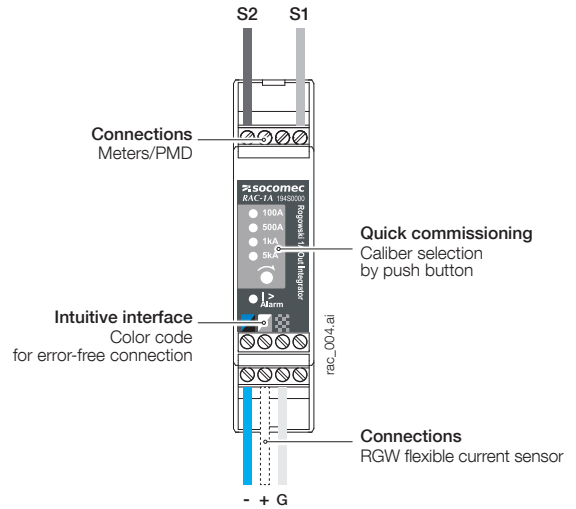
# RAC-1A integrator

Integrator for RGW flexible current sensors  
paired with DIRIS A-30, A-41, A-60, Q800, COUNTIS E4X

## Dimensions (mm)



## Interface



## Characteristics

Model	RAC-1A
Integrator input signal	100mV with RGW-XXX series
Integrator output signal	1 A
Selectable scales	100 A, 500 A, 1000 A, 5000 A
Bandwidth	40 – 3200 Hz
Accuracy with Rogowski RGW-XXX sensor	1% of full scale 1.5% at 5% of full scale
Power supply	85 ... 265 VAC, 50/60 Hz
Consumption	6,5 VA
Measurement category	300 V CAT III
Operating temperature	-25 ... +55°C
Storage temperature	-25 ... +70°C
Relative humidity	0 ... 80%
Degree of protection	IP 20
Weight	122 g

## Reference

Input	Output	Power supply	Reference
100 mV	1 A	85...265 VAC	194S 0000